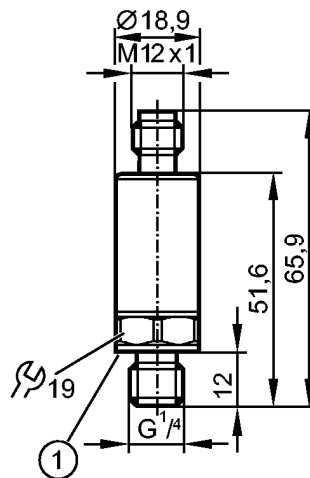


PC5404

PT-010-SEG14-A-ZVG/US/ W

www.utcsb.com.my

Pressure sensors



1: sealing FKM / DIN 3869



Product characteristics

Electronic pressure sensor

Process connection: G 1/4 A (according to DIN EN ISO 1179-2)

for industrial applications

Analogue output

Measuring range: 0...10 bar

Application

Application

Type of pressure: relative pressure
liquids and gases of the fluid group 2 according to Article 9 of the Pressure Equipment Directive (PED)

Pressure rating [bar]

25

Bursting pressure min. [bar]

300

Medium temperature [°C]

-40...90

Electrical data

Electrical design

DC

Operating voltage [V]

8.5...36 DC

Insulation resistance [MΩ]

> 100 (500 V DC)

Protection class

III

Reverse polarity protection

yes

Outputs

Output

Analogue output

Output function

4...20 mA analogue

Short-circuit proof

yes

Overload protection

yes

Analogue output

4...20 mA

Max. load [Ω]

($U_b - 8.5 \text{ V}$) / 21.5 mA; 720 at $U_b = 24 \text{ V}$

Measuring / setting range

Measuring range [bar]

0...10

Accuracy / deviations

Accuracy / deviations (in % of the span)	
Characteristics deviation *)	< ± 0.5
Linearity	< ± 0.1 (BFSL) / < ± 0.2 (LS)
Hysteresis	< ± 0.2
Repeatability **)	< ± 0.05
Long-term stability ***)	< ± 0.1

Temperature coefficients (TEMPCO) in the temperature range -40...90° C (in % of the span per 10 K)	
Greatest TEMPCO of the zero point + span	< 0.1 (-25...90 °C) / < 0.2 (-40...-25 °C)

Reaction times	
Step response time analogue output [ms]	1

Environment	
Ambient temperature [°C]	-40...90
Storage temperature [°C]	-40...100
Protection	IP 67 / IP 69K

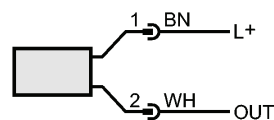
Tests / approvals	
EC pressure equipment directive 97/23/EC	Article 3, section 3 - sound engineering practice
EMC	DIN EN 61000-6-2
	DIN EN 61000-6-3
Shock resistance	DIN EN 60068-2-27: 50 g (11 ms)
Vibration resistance	DIN EN 60068-2-6: 20 g (10...2000 Hz)

Mechanical data	
Process connection	G ¼ A (according to DIN EN ISO 1179-2)
Materials (wetted parts)	1.4542
Housing materials	stainless steel 316L / 1.4404; PA
Min. pressure cycles	60 millions in the course of the lifetime (at 1.2 times the nominal pressure)
Tightening torque [Nm]	25...35 (recommended tightening torque ¹⁾)

Electrical connection	
Connection	M12 connector

Wiring

Core colours
 BN brown
 WH white



OUT: Analogue output
 Colours to DIN EN 60947-5-6

Remarks	
Remarks	*) incl. drift when overtightened, zero point and span error, non-linearity, hysteresis **) with temperature fluctuations < 10 K ***) in% of the span / 6 months ¹⁾ Depends on lubrication, seal and pressure rating BFSL = Best Fit Straight Line / LS = Limit Value Setting
Pack quantity [piece]	1