

simple • reliable • quality • value

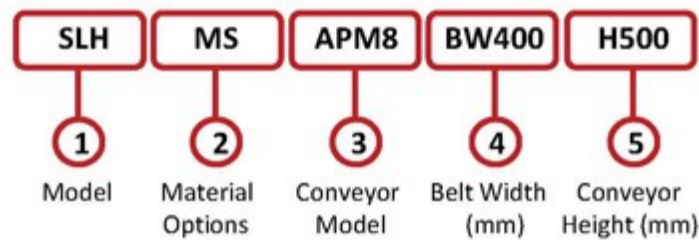
EXTRA RANGE OPTIONS AND ACCESSORIES

SUPPORT LEGS and SIDE GUIDES

Recommended Number of Pairs of Support Legs per Conveyor Length

Conveyor Length→ Conveyor Type↓	Up to 250cm	300 to 500cm	550 to 750cm	800 to 1000cm	1050 to 1250cm	1300 to 1500cm	1550 to 1800cm
APM8	2	3	4	5	6	7	8
APM9	3	4	5	6	7	8	9

Sample Model Selection (Support Legs)



Model Selection Table (Support Legs)

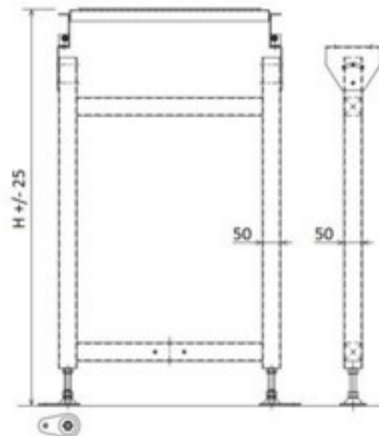
1 Model	SLH	
2 Material Option	MS	50 x 50mm x 2.3t Mild Steel Square Hollow Section
3 Conveyor Model	APM8, APM9	
4 Belt Width	Up to 600mm (in 50mm increments)	
5 Conveyor Height	Up to 2000mm (in 50mm increments)	
Remarks	Standard Cap Type Base Washer	

❖ Standard increments for Belt Width and Height = 50mm

Conveyor Model: APM8, APM9

SUPPORT LEGS

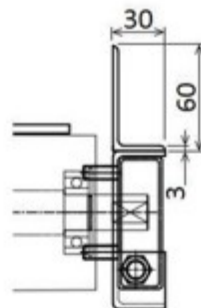
SLH – MS



Material : 50 x 50mm x 2.3t Mild Steel SHS
 Height (H) : 400 ~ 2000mm +/- 25mm
 (in 50mm increments)

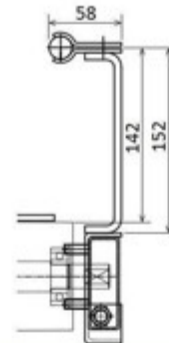
SIDE GUIDES

FTA



Mild Steel Angle Side Guide – Fixed Type

FTP



Mild Steel Pipe Side Guide – Fixed Type

