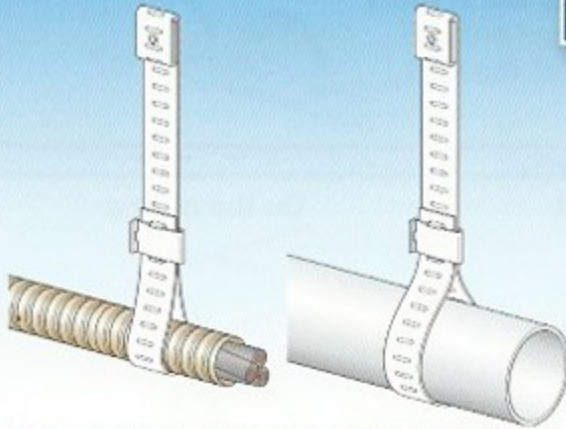


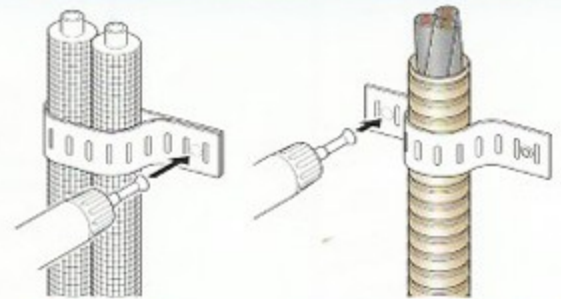
# MULTI METAL BAND

## MMB30/30

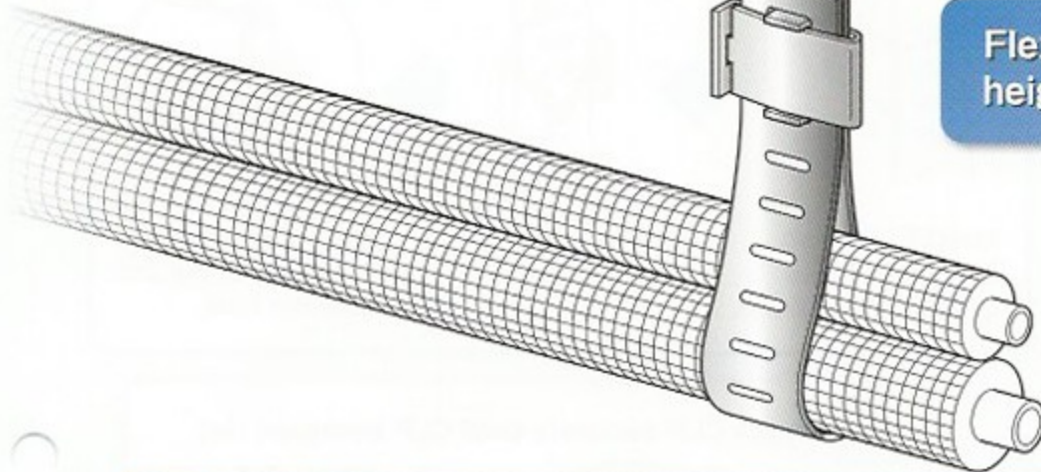


The work for hanging pipes and fixing Multi Metal Band is easy.

Multi Metal Band MMB30/30 can be used for various applications.



Flexibly adjustable the height of piping.

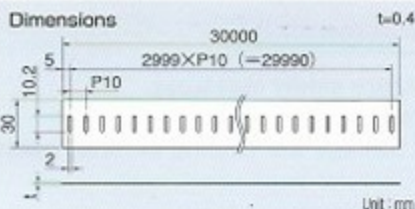


<https://youtu.be/b5tLQruXb3c>

### Specifications

#### Multi Metal Band

MMB30/30



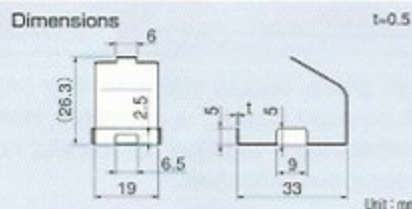
Part No.	Material	Pcs/Pkg
MMB30/30	Hot dip galvanized steel sheet	1

#### Optional accessory

CLP

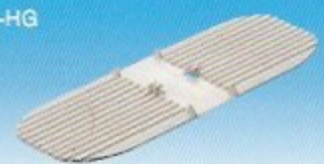


for fixing of Multi Metal Band

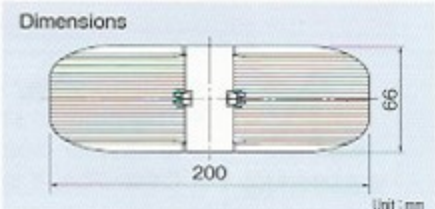


Part No.	Material	Pcs/Pkg
CLP	Hot dip galvanized steel sheet	500

SR-HG



For protection of thermal insulation and etc.



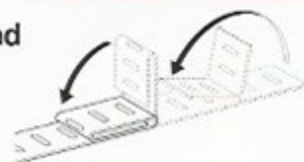
Part No.	Material	Pcs/Pkg
SR-HG	PP	200

# MULTI METAL BAND

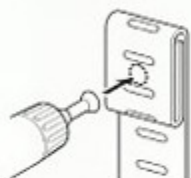
## Easy installation!



Bend Multi Metal Band twice to get enough strength at the part for nail.



On the wall

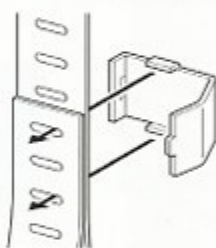


On the ceiling



Hit the nail in the center of two holes of Multi Metal Band by gas nail gun.

Fix Multi Metal Band with CLP (CLP : Optional accessory)



Insert CLP's two hooks into holes of Multi Metal Band.



Insert CLP's hook into a hole of CLP.



Make sure whether hook comes out 2mm from the hole.



Press CLP securely until CLP becomes flat.



### (Remarks)

- Don't use Multi Metal Band outdoor.
- Make sure to wear the protection glove at working.
- Allowable static load : 100N (10.2kgf)
- Maximum outerdiameter of applicable copper pipe :  $\phi 41.28\text{mm}$  (20mm thickness of thermal insulation) +  $\phi 19.05\text{mm}$  (10mm thickness of thermal insulation)



WARNING

- When working at high place, secure stable footing and prepare safety measures.
- This product should be used under the allowable static load.
- In case of electric cables hung together, be careful not to damage the coating of those cables. Otherwise, it may cause electrification.