

DH-PFB302S

Wall Mount Bracket



Features

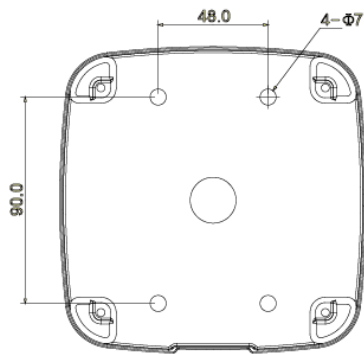
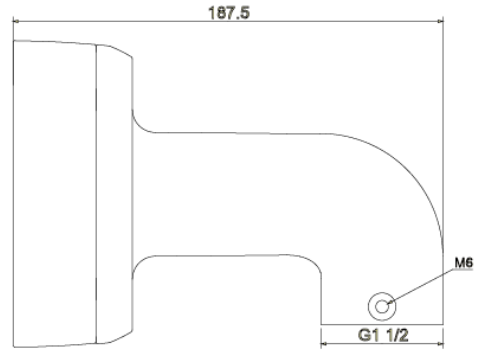
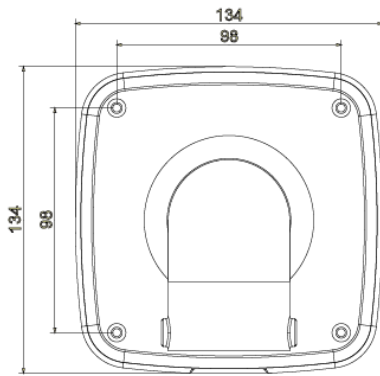
- Material: Aluminum
- Wall Mount Bracket
- Neat & Integrated design
- Junction box function

Specifications

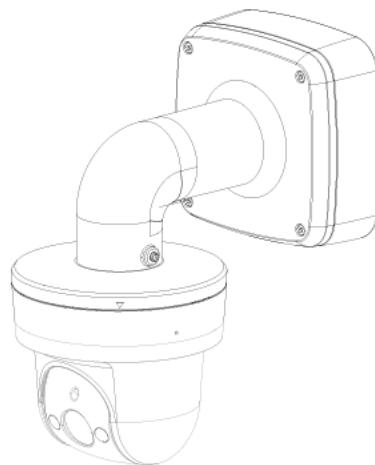
Model	DH-PFB302S
General	
Material	Aluminum
Dimension (W x H x D)	134mm(W) x 134mm(H) x 187.5mm(D)
Pipe Thread	1 1/2" PF
Operating Temperature	-40°C ~60°C
Humidity	0~90% RH
Load Bearing	3.0Kg
Weight	0.7kg
Applicable Model	PFA101, PFA102, PFA103

DH-PFB302S

Dimensions (mm)



Application



DH-PFB302S

Dahua Technology Co., Ltd.

1199 BinAn Road, Binjiang District, Hangzhou, China

Tel: +86-571-87688883

Fax: +86-571-87688815

Email: overseas@dahuatech.com

www.dahuasecurity.com

*Design and specifications are subject to change without notice.

© 2014 Dahua Technology Co., Ltd.