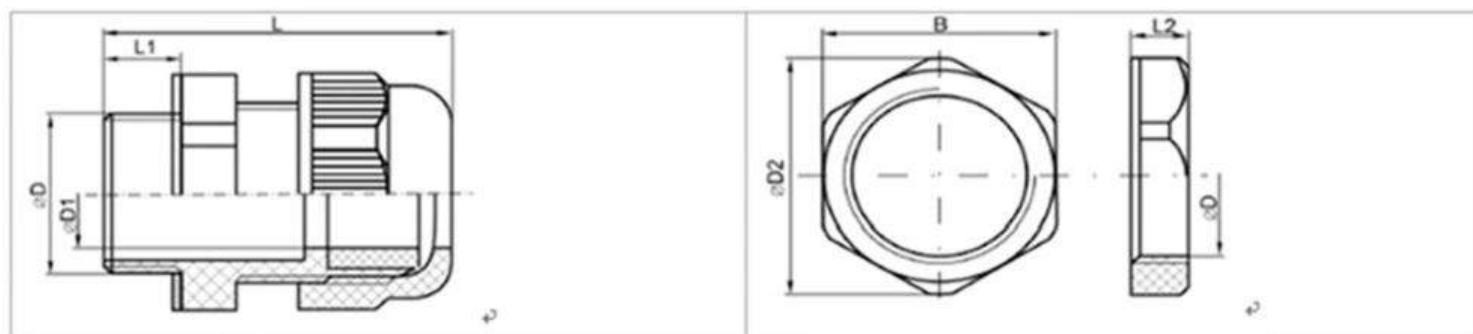


## PG cableglands



	D(mm)± 0.1	B(mm) ±0.1	D2(mm) ±0.1	L(mm)±0.1	L1(mm) ±0.1	L2(mm) ±0.1
<b>PG 7</b>	12.4	17.6	19.5	30.3	8	4.6
<b>PG 9</b>	15.2	21.9	23.7	32.6	8	4.6
<b>PG 11</b>	18.2	23.73	26.1	34.4	8	5
<b>PG 13.5</b>	20	26.8	29.4	36.4	9	5
<b>PG 16</b>	22.2	28.8	31.9	37.5	10	5.3
<b>PG19</b>	23.9	28.9	31.9	40	10	5.3
<b>PG 21</b>	28.2	35.7	38.9	44.6	10	5.6
<b>PG 29</b>	36.5	46	50.5	50.7	13	7
<b>PG 36</b>	46.7	58.7	64	58.4	13.7	7.4
<b>PG 42</b>	53.6	63.9	69.8	61.9	14	7.4
<b>PG 48</b>	58.5	70.3	77.8	62.8	13.6	7.4
<b>PG63</b>	70.6	82.3	91.5	84.5	28.5	8.9