

MINIATURE SPHERE

DO3-51-3080D-SH6TD-V201904

Page 1/1

SPECIFICATIONS SUBJECT TO MODIFICATIONS

DESCRIPTION

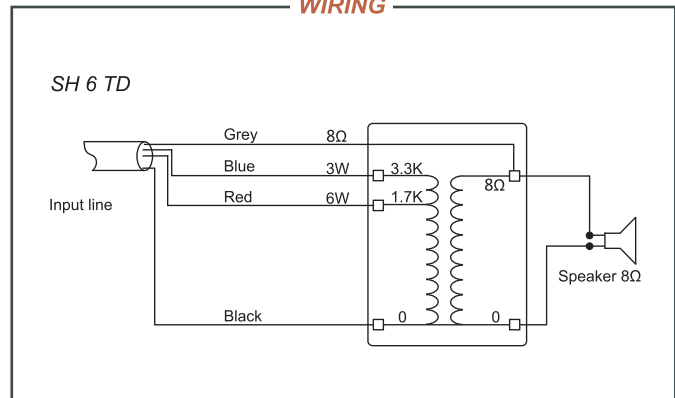
- Aesthetic with high performance spherical speaker.
- Moulded white colour ABS. Other colours on request.
- Dual cones wide band silicon treated speaker.
- Impregnated low insertion loss multi-taps transformer.
- With L bracket mounting.



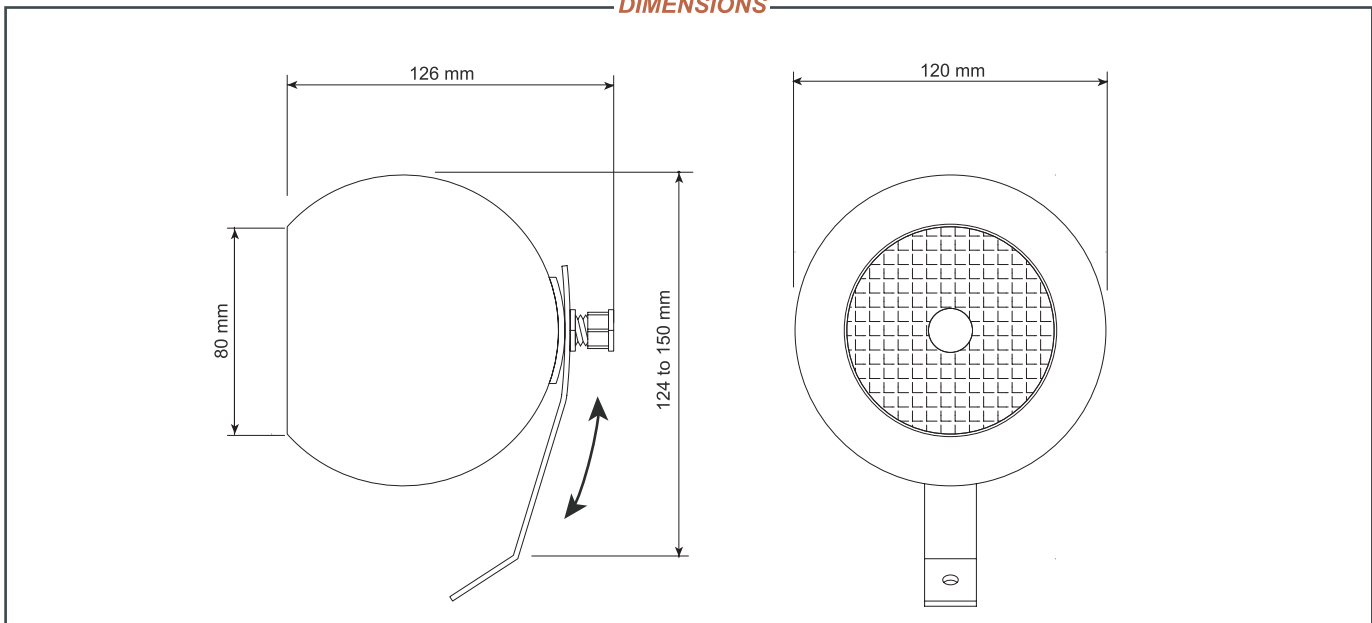
TECHNICAL SPECIFICATIONS

Nominal Power (100V)	Watts	6
Maximum Power	Watts	10
Frequency response	Hertz	150-20000
SPL (max) 1W@1m	dB	88-(96)
Connection	4 Wires cable	
Power Selector	Watts	6/3(100V) & 6W(8Ω)
Impédances	Ohms	1,7K/3,3K/8Ω
Pack dimensions : WxHxD	mm	135x160x135
Pack Weight	Kg	0,742

WIRING



DIMENSIONS



MERLAUD

9 rue de La Briqueterie - P.A.E. des FAUVETTES - 95330 DOMONT (FRANCE)

Tel. 01 39 91 77 78 - Fax 01 39 91 90 66 - www.merlaud.com - merlaud@merlaud.com