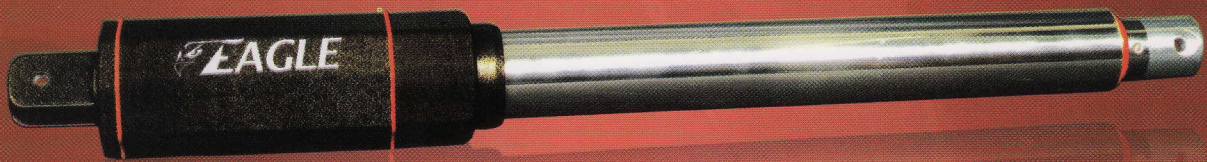




 **EAGLE**

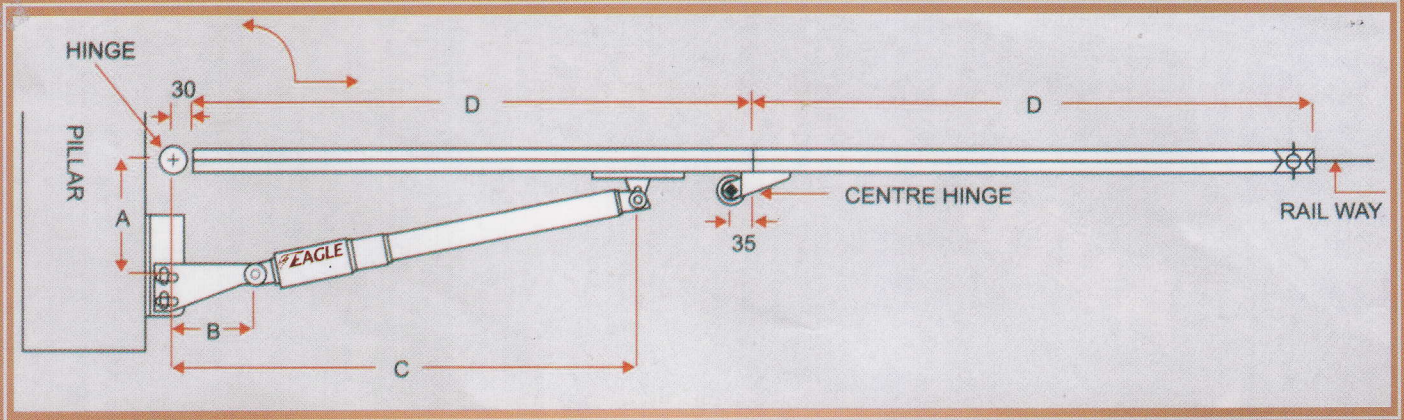


For Swing & Folding Gate

Powerful • Reliable • Safety

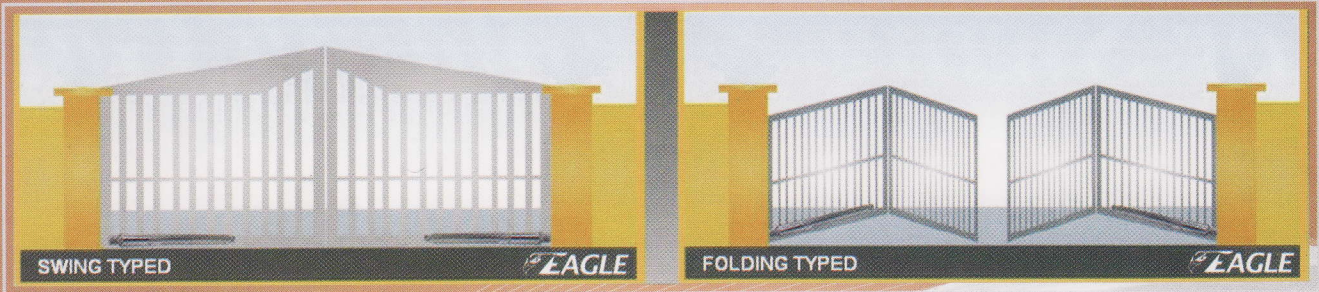
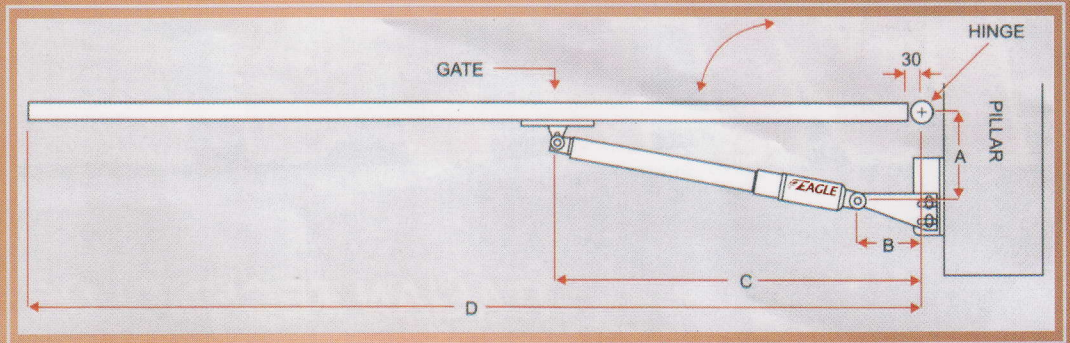
*Auto Gate System
Make Life Simple*

DIMENSION GUIDE TO INSTALL A FOLDING GATE



DIMENSION GUIDE TO INSTALL A SWING GATE

A	165mm ~ 180mm
B	128mm ~ 140mm
C	816mm ~ 837mm
D	Min 1000mm



TECHNICAL SPECIFICATIONS:

MODEL	GT680
OPERATING VOLTAGE	24VDC for normal speed 12VDC for cushioning speed
DRIVING METHOD	4 starts screw driven piston typed
MAX. PISTON DISPLACE	320mm
PISTON SPEED	28mm / sec.
GEAR BOX	Three stages planetary reducer
MAX. LENGTH OF GATE	5 meters per wing
MAX. WEIGHT OF GATE	400Kgs. per wing
SAFETY CLUTH	Electronic controller current sensing
CONTROLLER DEVICE	Micro-computer based
BACK-UP BATTERY	12V 7AH Rechargeable
AMBIENT TEMPERATURE	0 to 80°C

