



SUBARU

Industrial Power Products

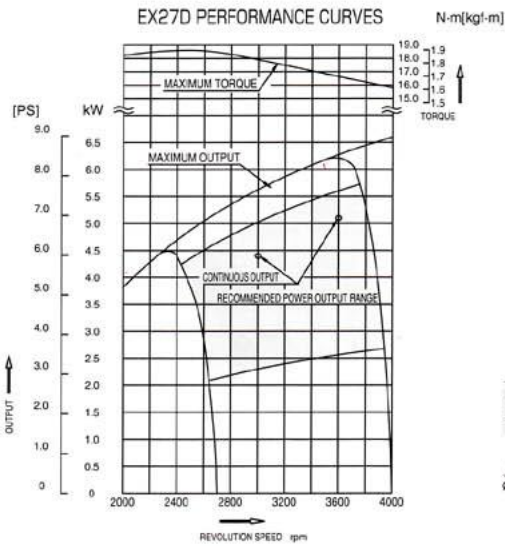
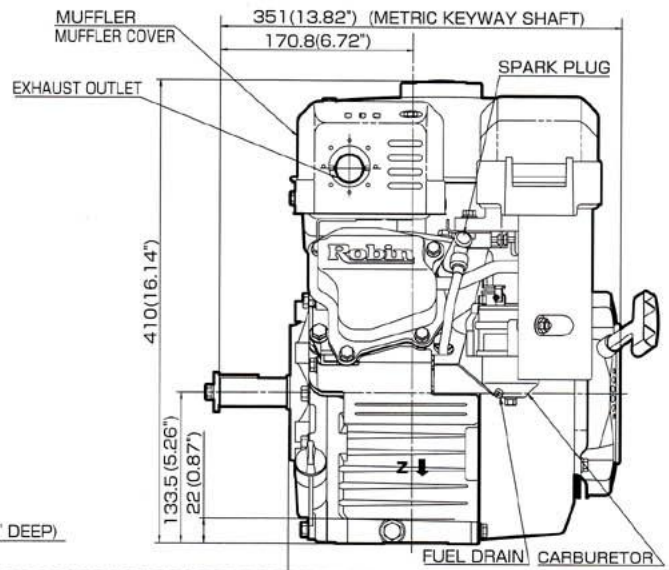
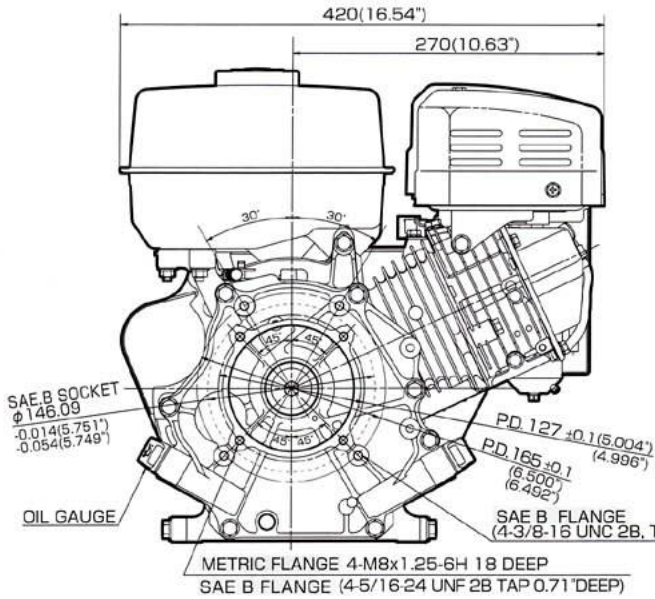
EX series

16/17/21/27
35/40

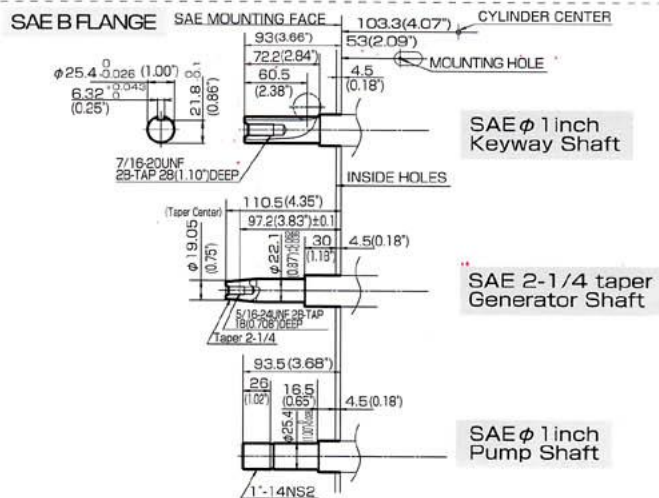
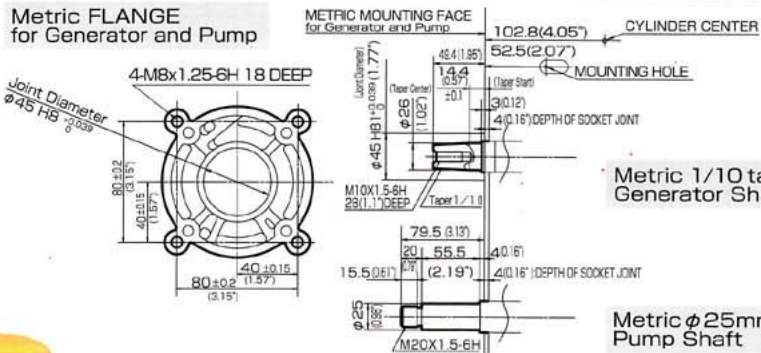
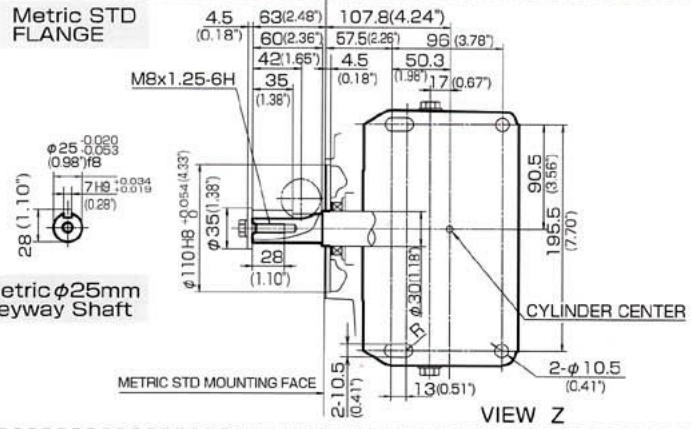


Air cooled 4 cycle
OHV Gasoline Engine

EX27



Power curves are corrected to standard sea level atmospheric condition and are developed from test engines equipped with standard air cleaner and muffler.



SPECIFICATIONS

Model	EX16	EX17	EX21	EX27
Type	Air-cooled, 4-cycle, slant single cylinder, OHC, horizontal PTO shaft			
Bore x Stroke	67×48 (2.64×1.89)		67×60 (2.64×2.36)	75×60 (2.95×2.36)
Piston displacement	169 (10.31)		211 (12.87)	265 (16.17)
Continuous output	1.92.6/3000 2.23.0/3600	2.63.5/3000 2.94.0/3600	3.24.4/3000 3.75.0/3600	4.46.0/3000 5.17.0/3600
Maximum output	3.24.3/4000	4.25.7/4000	5.17.0/4000	6.69.0/4000
Maximum torque	8.1[0.83](6.01)/2500	11.3[1.15](8.34)/2500	13.9[1.41](10.26)/2500	18.8[1.9](13.74)/2500
Direction of rotation	Counter clockwise as viewed from PTO shaft side			
Fuel	Automobile (unleaded) gasoline			
Fuel Tank capacity	3.2 (0.85)			5.6 (1.48)
Lubricant	Engine oil SAE 10W-30, 20W, 30W			
Lubrication	Mechanical splashing type			
Lubricating oil capacity	0.6 (0.156)			1.0 (0.260)
Carburetor	Float type			
Ignition system	Transistorised			
Spark plug	TORCH E6RC (NGK BR6HS)			
Starter	Recoil starter			
Governor	Centrifugal flyweight type			
Dry weight	15 (33.08)		16 (35.28)	21 (46.31)
Dimension	312×359×335 (12.28×14.13×13.19)		320×370×335 (12.60×14.57×13.19)	381×420×410 (15.00×16.54×16.14)

• Specifications are subject to change without notice

SPECIFICATIONS

Model	EX35	EX40
Type	Air-cooled, 4-cycle, slant single cylinder, OHC, horizontal PTO shaft	
Bore x Stroke	89×65 (3.50×2.56)	
Piston displacement	404 (24.65)	
Continuous output	5.57.5/3000 6.38.5/3600	6.38.5/3000 7.09.5/3600
Maximum output	Net 7.410.0/3600 Gross 8.812.0/3600	Net 8.812.0/3600 Gross 10.314.0/3600
Maximum torque	Net 26[2.65](19.18)/2400 Gross 27.5[2.80](20.28)/2400	Net 27[2.75](19.91)/2400 Gross 28.5[2.91](21.02)/2400
Direction of rotation	Counter clockwise as viewed from PTO shaft side	
Fuel	Automobile (unleaded) gasoline	
Fuel Tank capacity	6.8 (1.80)	
Lubricant	Engine oil SAE 10W-30, 20W, 30W	
Lubrication	Mechanical splashing type	
Lubricating oil capacity	1.2 (0.32)	
Carburetor	Float type	
Ignition system	Transistorized	
Spark plug	TORCH E6RC (NGK BR6HS)	
Governor	Centrifugal flyweight type	
Dry weight	33 (72.75)	
Dimension	415×450×447 (16.34×17.72×17.60)	

• Specifications are subject to change without notice