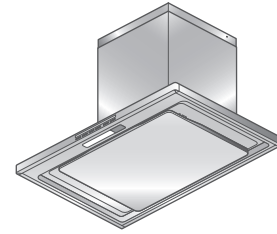


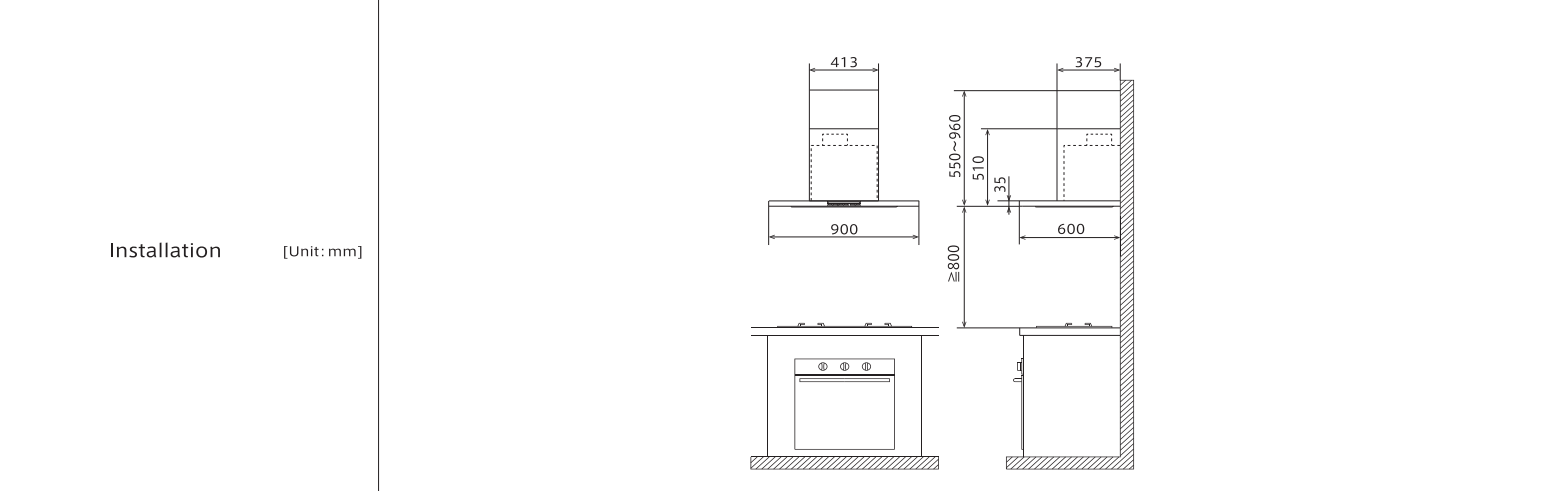
FR-CL1890



FR-CL1890V



Type	W900 X D600 X H550~960
Dimensions [mm]	
Color	RS (Rich Silver) ■
Weight [kg]	28
Power Consumption (220 / 230 / 240V)	62 / 62 / 62
Voltage [V/Hz]	220 , 230, 240 / 50
Duct Diameter [mm]	150
Sound Level (220 / 230 / 240V)	46 / 46 / 46
Efficiency [%]	98%
Switch	Electronic Soft Touch
Speed	3 Speed & Boost mode & 24 hour mode
Hood Body	Oil repellent paint
Rectifier Panel	Oil repellent paint
Disk	Stainless steel with Hydrophilic Coating
Oil Tray	Oil repellent paint
Motor	DC Motor
Lighting	LED 3.5W x 1
Timer	3 / 15 / 30 min & Cleaning Lamp Function



Option [Unit: mm]

Slide Duct Cover

Slide Duct Cover	A
FR-CL18-DCT85	800~850
FR-CL18-DCT90	850~900



**BR Best Resources Trading Sdn Bhd** (816304-M)  
Sole Distributor for W.Malaysia

No. 32, Lorong Batu Nilam 3C, Bandar Bukit Tinggi,  
41200 Klang, Selangor Darul Ehsan, Malaysia.  
Tel : (603) 3324 3887 Fax: (603) 3324 6216  
Email : fujioh.info@gmail.com Download  
Website: www.fujioh.com.my  
f : Fujioh Malaysia



Scan this QR Code

Authorised Dealer:



Customer Careline : +6016 7228216

**FR-CL1890**

OIL TECH COOKER HOOD

