

 FUJIOH

Made in  
JAPAN  
日本製

# REVOLUTIONARY JAPANESE TECHNOLOGY FOR ASIAN COOKING

Pioneering Japanese Technology For The Kitchen

**2**  
YEARS  
Cooker Hob  
Limited Warranty

**3**  
YEARS  
Cooker Hood  
Limited Warranty

 FUJIOH



**BR** Best Resources Trading Sdn Bhd  
(816304-M)

Sole Distributor for W.Malaysia

No. 32, Lorong Batu Nilam 3C, Bandar Bukit Tinggi,  
41200 Klang, Selangor Darul Ehsan, Malaysia.

Tel : (603) 3324 3887 Fax: (603) 3324 6216

Email : fujioh.info@gmail.com

Website: www.fujioh.com.my

Customer Careline: +6016 7228216

Download



Scan this QR Code



 : Fujioh Malaysia

Authorised Dealer :



Product photos and colours are for reference only. It might be slightly different from the actual items. Promotion Offers, design and specifications are subject to change without prior notice. All prices shown inclusive of GST.





# HOOD

# Dimension

\* Duct Diameter for all cookerhood :150mm

## FR-SC 1790 V



RCP **7,598** NOW **6,598**  
RM

Type : Ventilating  
Efficiency: (V) 95%  
Weight :21kg  
Noise Level (dB) : 56 (high) 55 (low)  
Dimension(mm) :  
(W)900 x (D) 544 x (H) 445

## FR-SC 1790 R



RCP **7,598** NOW **6,598**  
RM

Type : Recycling  
Efficiency: (R) 90%  
Weight :21kg  
Noise Level (dB) : 56 (high) 52 (low)  
Dimension(mm) :  
(W)900 x (D) 544 x (H) 445

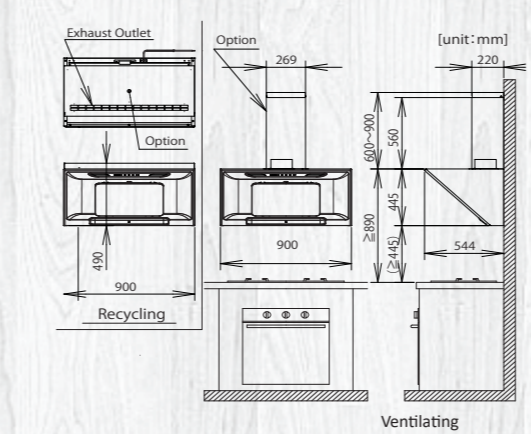
## FDS 900 V



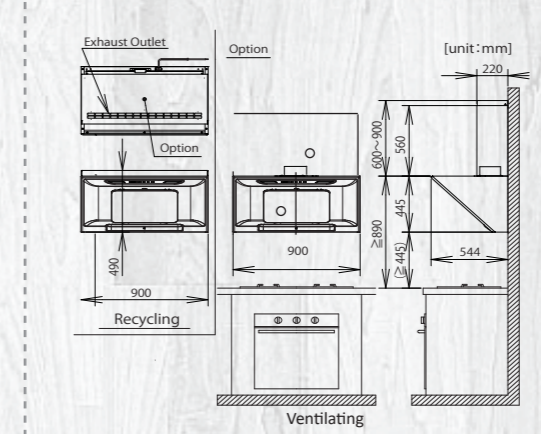
RCP **7,598** NOW **6,998**  
RM

Type : Ventilating / Recycling  
Efficiency: (V) 90%  
Weight :26kg  
Noise Level (dB) : 50 (high) 47(low)  
Dimension(mm) :  
(W)900 x (D) 530 x (H) 550-900

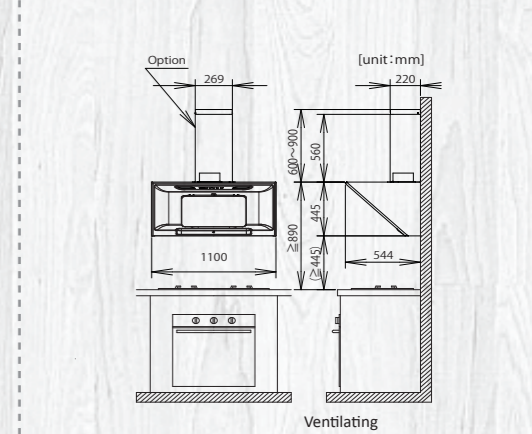
## FRSC-1790 V/R



## FRSC-1790 NC



## FRSC-1711 V



## FR-SC 1790 V-NC



RCP **7,098** NOW **6,098**  
RM

Type : Ventilating  
Efficiency: (V) 95%  
Weight :21kg  
Noise Level (dB) : 56 (high) 55 (low)  
Dimension(mm) :  
(W)900 x (D) 544 x (H) 445

## FR-CL 1890 V



RCP **9,498** NOW **8,498**  
RM

Type : Ventilating  
Efficiency: 98%  
Weight : 28kg  
Noise Level (dB) : 48 (high) 46 (low)  
Dimension(mm) :  
(W)900 x (D) 600 x (H) 750~800

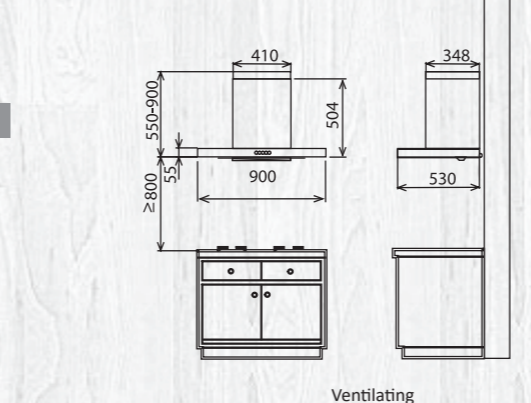
## FS 890 V/R



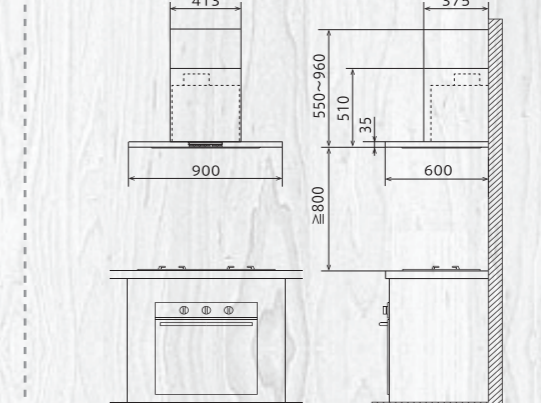
RCP **3,998** NOW **3,498**  
RM

Type : Ventilating / Recycling  
Efficiency: (V) 95% (R) 92%  
Weight :17 kg  
Noise Level (dB) : 49 (high) 36 (low)  
Dimension (mm) :  
(W)890 x (D) 550 x (H) 150

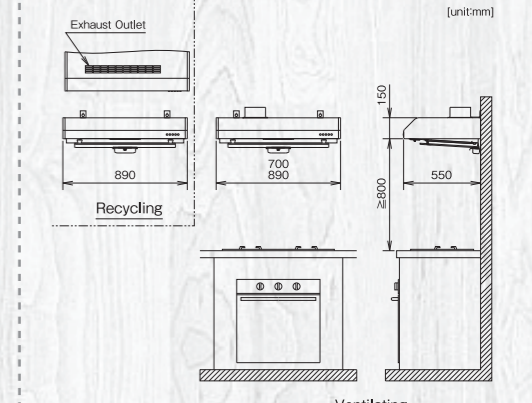
## FDS 900 V



## FR-CL1890



## FS 890 V/R



## FR-SC 1711 V ( 3.5 feet )



RCP **8,598** NOW **7,598**  
RM

Type : Ventilating Only  
Efficiency: (V) 88%  
Weight :23kg  
Noise Level (dB) : 56 (high) 55 (low)  
Dimension(mm) :  
(W)1100 x (D) 544 x (H) 445

## FJS 900 V/R



RCP **3,998** NOW **3,498**  
RM

Type : Ventilating / Recycling  
Efficiency: (V) 90% (R)92%  
Weight :26kg  
Noise Level (dB) : 53 (high) 44 (low)  
Dimension(mm) :  
(W)900 x (D) 680 x (H) 680~920

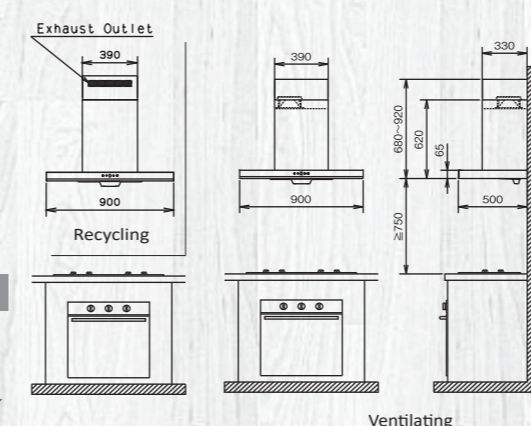
## SLM 900 V/R



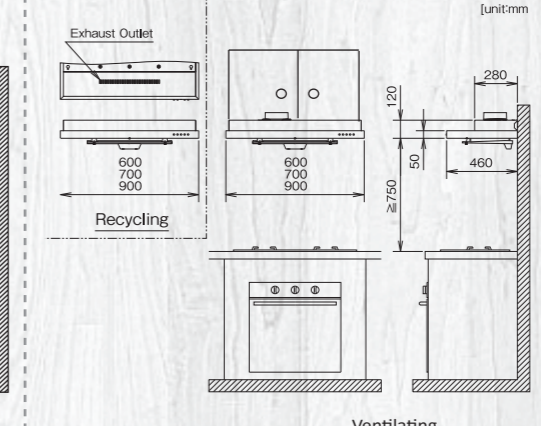
RCP **2,448** NOW **2,048**  
RM

Type : Ventilating / Recycling  
Efficiency: (V) 80% (R)85%  
Weight : 10.5kg  
Noise Level (dB) : 59 (high) 41 (low)  
Dimension(mm) :  
(W)900 x (D) 460 x (H) 120

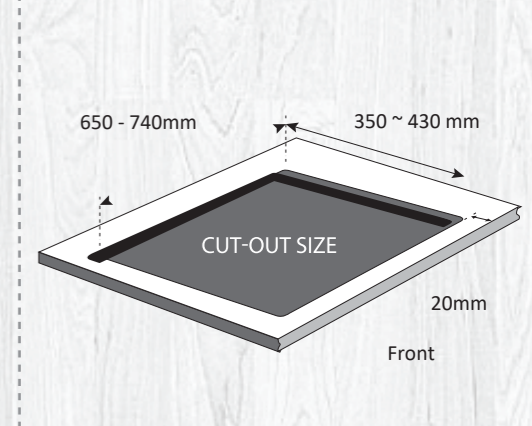
## FJS 900 V/R



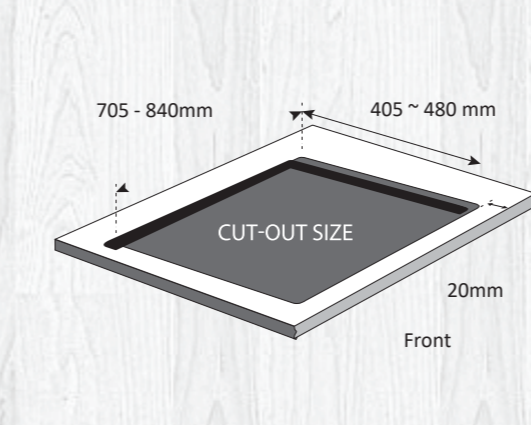
## SLM 900 V/R



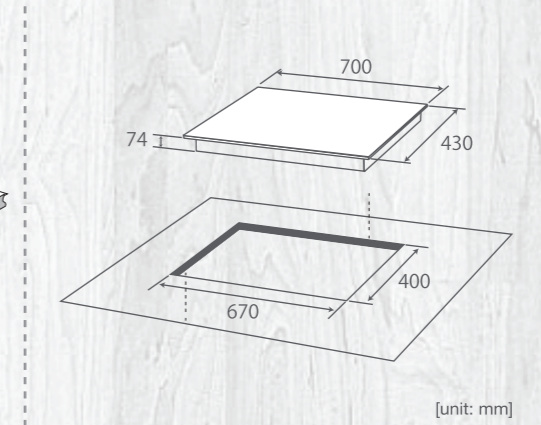
## FG 2792 SVGL



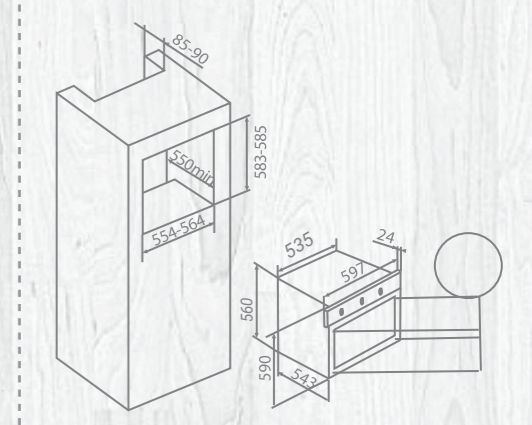
## FG 3793,3773 SVGL



## FH-CR6020



## EL52,53 GL





**PACKAGE E**

**FJS 900 V/R**

RCP  
RM **3,998**



**PACKAGE F**

**FS 890 V/R**

RCP  
RM **3,998**



**HOB FG 2792 SVGL**



RCP : RM **2,648**

**NOW**  
RM **5,396**

**Ceramic FH-CR6020**



RCP : RM **3,998**

**NOW**  
RM **6,496**

**HOB FG 3773 SVGL**



RCP : RM **2,848**

**NOW**  
RM **5,596**

**HOB FG 3793 SVGL**



RCP : RM **2,848**

**NOW**  
RM **5,596**

**HOB FG 2792 SVGL**



RCP : RM **2,648**

**NOW**  
RM **5,396**

**Ceramic FH-CR6020**



RCP : RM **3,998**

**NOW**  
RM **6,496**

**HOB FG 3773 SVGL**



RCP : RM **2,848**

**NOW**  
RM **5,596**

**HOB FG 3793 SVGL**



RCP : RM **2,848**

**NOW**  
RM **5,596**

**PWP**



**OVEN FV-EL52 GL**

**NOW**  
RM **4,698**



**OVEN FV-EL53 GL**

**NOW**  
RM **5,198**

**Purchase with Purchase ( P.W.P ) HOB / OVEN**

**FG 2792 SVGL**



RCP  
RM **2,648** **PWP**  
RM **2,448**

GAS INPUT : 5.2kW / 5.2kW

Dimension (mm)  
(W) 788 (D)460 (H)55

Cut-out size (mm)  
(W) 650-740 X (D) 350 - 430

**FG 3773 SVGL**



RCP  
RM **2,848** **PWP**  
RM **2,648**

GAS INPUT : 5.2kW / 3.6kW /1.6kW

Dimension (mm)  
(W) 888 (D) 520 (H) 55

Cut-out size (mm)  
(W) 705-840 X (D) 405 - 480

**FG 3793 SVGL**



RCP  
RM **2,848** **PWP**  
RM **2,648**

GAS INPUT : 5.2kW / 3.6kW /1.6kW

Dimension (mm)  
(W) 888 (D) 520 (H) 55

Cut-out size (mm)  
(W) 705-840 X (D) 405 - 480

**FG 2792 SVSS**



RCP  
RM **2,648** **PWP**  
RM **2,448**

GAS INPUT : 5.2kW / 5.2kW

Dimension (mm)  
(W) 750 (D) 450 (H) 55

Cut-out size (mm)  
(W) 650-740 X (D) 350 - 430

**FG 3773 SVSS**



RCP  
RM **2,848** **PWP**  
RM **2,648**

GAS INPUT : 5.2kW / 3.6kW /1.6kW

Dimension (mm)  
(W) 865 (D) 505 (H) 55

Cut-out size (mm)  
(W) 705-840 X (D) 405 - 480

**FG 3793 SVSS**



RCP  
RM **2,848** **PWP**  
RM **2,648**

GAS INPUT : 5.2kW / 3.6kW /1.6kW

Dimension (mm)  
(W) 865 (D) 505 (H) 55

Cut-out size (mm)  
(W) 705-840 X (D) 405 - 480

**FH-CR6020**



RCP  
RM **3,998** **PWP**  
RM **3,498**

- . Touch control hob
- . Schott ceran black ceramic glass
- . Sensor touch control
- . Left Zone 1800W Right Zone 1200W
- . 9 Level power settings for each zone
- . Child safety lock
- . 2 Ceramic Zone
- . Dimension (mm)
- . (W) 700 X (D) 430 X (H) 74
- . Cut-out-size (mm) : (W) 670 X (D) 400

**FV-EL52 GL**



RCP  
RM **5,698** **PWP**  
RM **4,698**

- . Multifunction oven (9 functions)
- . Electronic touch programmer
- . Pop-out metal knobs
- . 64 Litres capacity
- . Tangential cooling fan
- . Smooth sides with chromed racks
- . 1 shelf position with telescopic rails
- . Safety & cold touch - triple glazed door with glass
- . Titanium enamelled cavity

**FV-EL53 GL**



RCP  
RM **6,198** **PWP**  
RM **5,198**

- . Multifunction oven (13 functions)
- . Full electronic touch controls
- . Preset temperature for each functions
- . 64 Litres capacity
- . Tangential cooling fan
- . Smooth sides with chromed racks
- . 2 shelves positions with telescopic rails
- . Safety & cold touch - triple glazed door with glass
- . Thermo-reflecting glass
- . Titanium enamelled cavity



**PACKAGE A**

**PACKAGE B**

**PACKAGE C**

**PACKAGE D**

FR-SC 1790 V-NC

RCP  
RM 7,098



FR-SC1790 V/R

RCP  
RM 7,598



FR-SC 1711 V

RCP  
RM 8,598



SLM900 V/R

RCP  
RM 2,448



HOB FG 2792 SVGL



RCP : RM 2,648

NOW  
RM 7,996

Ceramic FH-CR6020



RCP : RM 3,998

NOW  
RM 8,996

HOB FG 2792 SVGL



RCP : RM 2,648

NOW  
RM 8,496

Ceramic FH-CR6020



RCP : RM 3,998

NOW  
RM 9,496

HOB FG 2792 SVGL



RCP : RM 2,648

NOW  
RM 9,496

Ceramic FH-CR6020



RCP : RM 3,998

NOW  
RM 10,496

HOB FG 2792 SVGL



RCP : RM 2,648

NOW  
RM 3,996

Ceramic FH-CR6020



RCP : RM 3,998

NOW  
RM 4,996

HOB FG 3793 SVGL



RCP : RM 2,848

NOW  
RM 8,196

HOB FG 3773 SVGL



RCP : RM 2,848

NOW  
RM 8,196

HOB FG 3773 SVGL



RCP : RM 2,848

NOW  
RM 8,696

HOB FG 3793 SVGL



RCP : RM 2,848

NOW  
RM 8,696

HOB FG 3773 SVGL



RCP : RM 2,848

NOW  
RM 9,696

HOB FG 3793 SVGL



RCP : RM 2,848

NOW  
RM 9,696

HOB FG 3773 SVGL



RCP : RM 2,848

NOW  
RM 4,196

HOB FG 3793 SVGL



RCP : RM 2,848

NOW  
RM 4,196

**PWP**



OVEN FV-EL52 GL

NOW  
RM 4,698



OVEN FV-EL53 GL

NOW  
RM 5,198

**PWP**



OVEN FV-EL52 GL

NOW  
RM 4,698



OVEN FV-EL53 GL

NOW  
RM 5,198