

**Weather Sealed
Built-in LED light!**
T8 or T5 tubes not required!

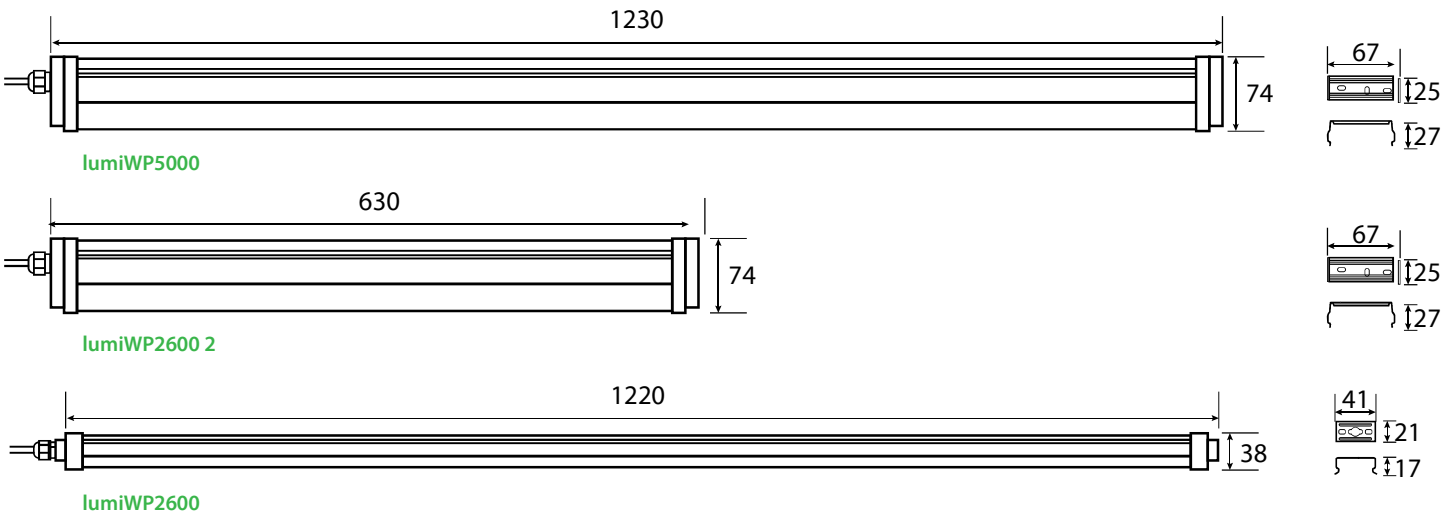


lumiWeatherproof Batten (Frosted Cover)

Part No	lumiWP5000C	lumiWP5000N	lumiWP5000W	lumiWP2600C2	lumiWP2600N2	lumiWP2600W2	lumiWP2600C	lumiWP2600N	lumiWP2600W
Correlated Color Temp ± 5%	Cool White 6000K	Natural White 4000K	Warm White 3000K	Cool White 6000K	Natural White 4000K	Warm White 3000K	Cool White 6000K	Natural White 4000K	Warm White 3000K
CRI	Ra > 80 / R9 > 0								
Luminance ± 5%	5050 lumens		4700 lumens	2650 lumens		2460 lumens	2650 lumens		2460 lumens
Rated Wattage	38W			20W			20W		
Lumens per Watt	132		122	132		122	132		122
Input Power (AC)	180-240VAC 50/60Hz (100-240V 50/60Hz Optional)								
	240V @ 160mA			240V @ 80mA					
Power Factor	> 0.9 @240VAC								
Working Temp	Ambient Temperature Max 50°C								
Projection Angle	120°								
Dimension / Size	1230mm (L) x 74mm (W) x 74mm (H)			630mm (L) x 74mm (W) x 74mm (H)			1220mm (L) x 38mm (W) x 38mm (H)		
Weight ± 5%	1.3 kg			0.75 kg			0.5 kg		
Warranty	2 Years								
IP Rating	IP65								

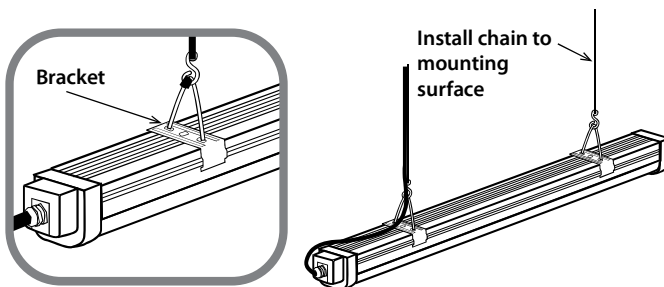
Note: * ± 10% Lux accuracy * Test environment @ 25 °C *Specifications subject to change without prior notice. * Product images are for illustraton purposes only.

Drawing (Unit: mm)



Installation Instructions

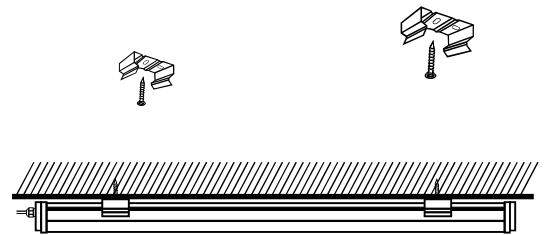
A - Chain Suspended Mounting



Chain Mounting with V-Hook

- Step 1 : Clip the brackets to the housing.
- Step 2 : Attach V-Hooks to brackets.
- Step 3 : Attach chain to the hooks and mounting surface.

B - Surface Mounting



Surface Mounting

- Step 1 : Secure the brackets to the ceiling.
- Step 2 : Clip the housing onto the brackets.

Packaging Size

