

**LEISTER**

PLASTIC WELDING

**NEW!**

# WELDPLAST S1

Outstandingly  
compact.



[www.leister.com](http://www.leister.com)








**We know how.**

# WELDPLAST S1 – Outstandingly compact.

With the new WELDPLAST S1 compact extruder, you can achieve perfect seam quality with plate thicknesses of 4 to 12mm and a maximum output power of 0.8 kg/h (PVC: up to 1.15 kg/h). The double-sided, twist-free wire intake can work with 3 to 4 mm wires. Integrated LED lighting plus the innovative operating panel are the perfect way to monitor the process of welding all typical kinds of materials (such as PE, PP, PVC, PA, PVDF or

Digitally regulated extrusion welder

## WELDPLAST S1

1		<p><b>Full control:</b> The multifunctional operating unit gives you perfect control over the welding parameters, ensures reproducible results, and guarantees more efficiency during work.</p>
2		<p><b>Smart features:</b> Thanks to the integrated hanging point, the WELDPLAST S1 can be hung on a balancer so that it is always ready at hand – preventing fatigue work.</p>
3		<p><b>Versatile:</b> The WELDPLAST S1 can work with all typical kinds of plastic, such as HD-PE, LD-PE, PP, PVC-U, PVC-C, ECTFE, PVDF or PA.</p>
4		<p><b>Bright spot:</b> The integrated LED operating lights gives you the perfect view of the welding process.</p>
5		<p><b>More options:</b> Double-sided, twist-free wire intake for wires of 3 to 4 mm.</p>
6		<p><b>Flexible:</b> The welder can alter the plastic output easily during welding. The Leister BL blower allows stepless adjustment of the air volume.</p>
7		<p><b>Ergonomic handling:</b> The compact, ergonomic design allows you to work in comfort in any welding position.</p>



ECTFE) – at all times. The ergonomic design, which offers several grip positions and holding options, allows you to work in comfort in areas that are difficult to access.



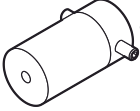
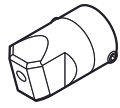
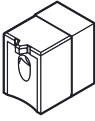
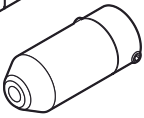
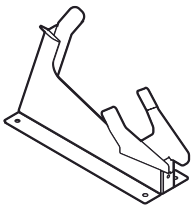
Full control, even in cramped conditions with very little light.

### Digitally regulated extrusion welder

## WELDPLAST S1

- Functional, ergonomic design with comfort grip areas
- Extremely high output power of 0.8 kg/h (HD-PE)
- Integrated LED lighting and hanging point
- Can work with all typical kinds of plastic
- Multifunction panel with predefined welding parameters
- BL blower, adjustable air volume

## Accessories WELDPLAST S1

	<b>149.430</b>	Welding shoe complete Blank
	<b>149.402</b>	Fillet weld 5/6
	<b>148.627</b>	Fillet weld 8/10
	<b>149.401</b>	Fillet weld 12
	<b>149.388</b>	V-seam 3 / 4
	<b>149.383</b>	V-seam 5 / 6
	<b>149.385</b>	V-seam 8 / 10
	<b>149.364</b>	Corner
	<b>148.923</b>	Tool rest

## Technical Data

Voltage	V~	230 / 120 / 100
Power	W	1600 / 1800 / 1500
Material		HD-PE, LD-PE, PP, PVC-U PVC-C, PVDF, ECTFE, PA
Welding rod	mm	Ø 3 – 4
Output	kg/h	0.2 – 0.8 (PVC up to 1.15 kg/h)
Size (L x W x H)	mm	435 x 91 x 264
Integrated welding profiles		HD-PE, PP, PVC-U, PVC-C, PVDF 10 free profile storage spaces
Weight	kg	4.7
Conformity mark		CE
Certification scheme		CCA
Protection class I		⊕

### Article No.:

148.396	WELDPLAST S1, 230 V / 1600 W, Ø 3 – 4 mm, Euro plug
148.395	WELDPLAST S1, 120 V / 1800 W, Ø 3 – 4 mm, Euro plug
148.394	WELDPLAST S1, 100 V / 1500 W, Ø 3 – 4 mm, Euro plug

Included with purchase: WELDPLAST S1, user manual, 2 pre-heating nozzles, welding shoe K10, storage case





**We are local. Worldwide.**

Leister Technologies AG  
Galileo-Strasse 10  
CH-6056 Kaegiswil / Switzerland  
phone: +41 41 662 74 74  
fax: +41 41 662 74 16  
leister@leister.com

Leister Technologies LLC  
Itasca, IL 60143 / USA  
phone: +1 630 760 1000  
info@leisterusa.com

Leister Technologies Ltd.  
Shanghai 201 109 / PRC  
phone: +86 21 6442 2398  
leister@leister.cn

Leister Technologis KK  
Yokohama 222-0033 / Japan  
phone: +81 45 477 36 37  
info@leister.co.jp

Leister Technologies Benelux BV  
3991 CE Houten / Nederland  
phone: +31 (0)30 2199888  
info@leister.nl

Leister Technologies India Pvt  
600 041 Chennai / India  
phone: +91 44 2454 3436  
info@lipipolymers.com

**Our close worldwide network of more than 120 Sales and Service Centers in more than 90 countries.**

**Europe:**

- Austria
- Belarus
- Belgium
- Bulgaria
- Croatia
- Cyprus
- Czech Republic
- Estonia
- Denmark
- Finland
- France
- Germany
- Great Britain
- Greece
- Hungary
- Ireland
- Iceland
- Italy
- Kazakhstan
- Latvia
- Lithuania
- Netherlands
- Norway
- Poland
- Portugal
- Romania
- Russia
- Serbia
- Slovakia
- Slovenia
- Spain
- Sweden
- Switzerland
- Turkey
- Ukraine

**America:**

- Canada
- Mexico
- USA
- Argentina
- Brazil
- Chile
- Columbia
- Costa Rica
- Ecuador
- Venezuela
- Peru

**Africa:**

- Algeria
- Egypt
- Kenya
- Morocco
- South Africa
- Tunisia

**Middle East:**

- U.A.E.
- Saudi Arabia
- Qatar
- Iran

**Asia Pacific:**

- P.R.China
- Hong Kong
- India
- Indonesia
- Japan
- Korea
- Malaysia
- Mongolia
- Philippines
- Singapore
- Taiwan
- Thailand
- Vietnam

**Oceania:**

- Australia
- New Zealand

© Copyright by Leister, Switzerland

Distributor Addresses: