

MISTRAL: The maintenance-free innovation.

Sometimes there is no space for a separate blower. Or a handy, mobile device is called for. There are many reasons for integrating blowers and air heaters in a compact device – a hot-air blower. MISTRAL, with its high speed, brushless (and therefore maintenance-free) blower motor and the innovative bearing technology, is ideally suited for deployment in harsh industrial environments. It reaches even into the most inaccessible places.

Hot-air blower

MISTRAL

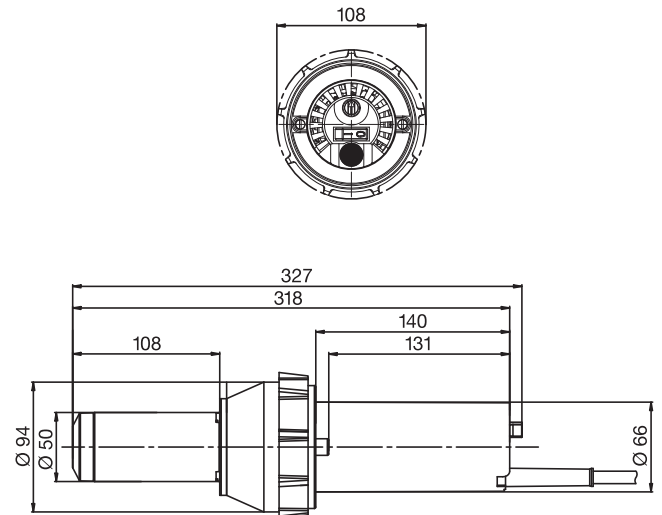


Technical data

MISTRAL

Maintenance-free, brushless blower motor for continuous operation	•
Mains switch	•
Heating power adjustable steplessly adjustable with potentiometer	•
Air filter	•
Manual air slider	•
Integrated device and heating element protection	•
Max. air outlet temperature °C	650
Max. air flow l/min.	350
Weight with 3 m cable kg	1.5
Mark of conformity	CE
Approval mark	Ⓢ
Certification scheme	CCA
Protection class II	□

Installation dimensions in mm



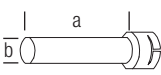
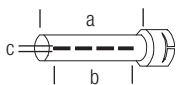
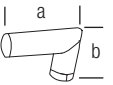
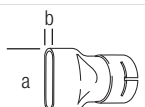
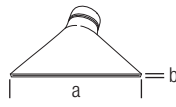
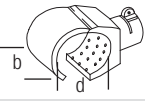
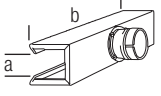
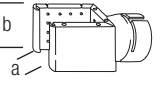

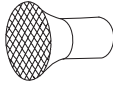


Voltage V ~	120	230	230
Power consumption W	2700	2300	3400
Plug	without	Euro	Euro
Order no.	117.843	117.840	117.839

Additional versions on request

Accessories MISTRAL

(Ø 50 mm)

107.254		Flange connector, push-fit a = 70 mm
122.332 122.924		Nozzle adapter a Ø 50 mm to b Ø 62 mm a Ø 50 mm to b Ø 36.5 mm
107.255		Extension nozzle, push-fit (a x b) 160 x 36.5 mm
105.950 107.257 105.955 105.952 105.956		Tubular nozzle, push-fit (a x b x c) 460 x 300 x 2 mm 590 x 420 x 1.7 mm 836 x 660 x 1 mm 900 x 800 x 0.9 mm 1000 x 820 x 0.9 mm
107.256		Angled nozzle, push-fit (a x b) Ø 50 mm shank length 160 x 100 mm
105.961 107.258		Wide slot nozzle, push-fit (a x b) 45 x 12 mm, length 350 mm 70 x 10 mm
106.057 106.060 107.270 106.061		Wide slot nozzle, push-fit (a x b) 100 x 4 mm 150 x 6 mm 150 x 12 mm, with sieve insert 300 x 6 mm
107.331		Hinged reflector, aufschiebbar (d x b) 70 x 70 mm
107.340		Shell reflector, push-fit (a x b) 45 x 250 mm
107.327 107.333		Sieve reflector, push-fit (a x b) 85 x 85 mm 130 x 150 mm
107.330		Hinged reflector, push-fit (d x b) 125 x 22 mm
106.127		Sieve reflector, push-fit Ø 65 mm

Special nozzles on request

If using non-Leister blowers, compressors and accessories no guarantee can be given by us