

# SPEED CONTROL UNIT

CONNECTOR TYPE

## Q-CON HC

### ■ GENERAL SPECIFICATION

可變速度範圍 90~1400rpm(50Hz), 90~1700rpm(60Hz)

TACHO GENERATOR付 Q-CON MOTOR

- 速度設定器內裝  
CASE 前面의 速度設定用 可變抵抗器로 回轉速度를 設定
- CONNECTOR로 ONE TOUCH 接續  
(OPTION의 連結CORD로 最大 5m까지 延長可能)
- Speed controller with tacho-generator
- Built-in speed setting
- One-touch connection by 8 pin connector  
(extension cord 5m long max, optional)



### ■ PERFORMANCE DATA

MOTOR TYPE	HC□I-11G	HC□I-11Y	HC□I-22G	HC□I-22Y
RATED VOLTAGE	110V		220V	
VOLTAGE RANGE	RATED VOLTAGE ± 10 %			
LINE FREQ.	50 / 60 Hz			
MOTOR OUTPUT	6 ~120 W			
TG VOLTAGE	24 V	12 V	24 V	12 V
SPEED RANGE	90 ~1400 rpm / 90 ~1700 rpm			
SPEED VARIATION	5 % (STANDARD)			
SPEED SETTING	BUILT-IN			
PARALLEL OPERATION	NOT APPLICABLE			
SLOW UP · DOWN	NOT APPLICABLE			
OPERATION TEMP.	-10 ~ 40 °C			
STORAGE TEMP.	-20 ~ 60 °C			
HUMIDITY	BELOW 85 %			

DISTRIBUTOR :

**iMS Motion Solution (Johor) Sdn. Bhd.**



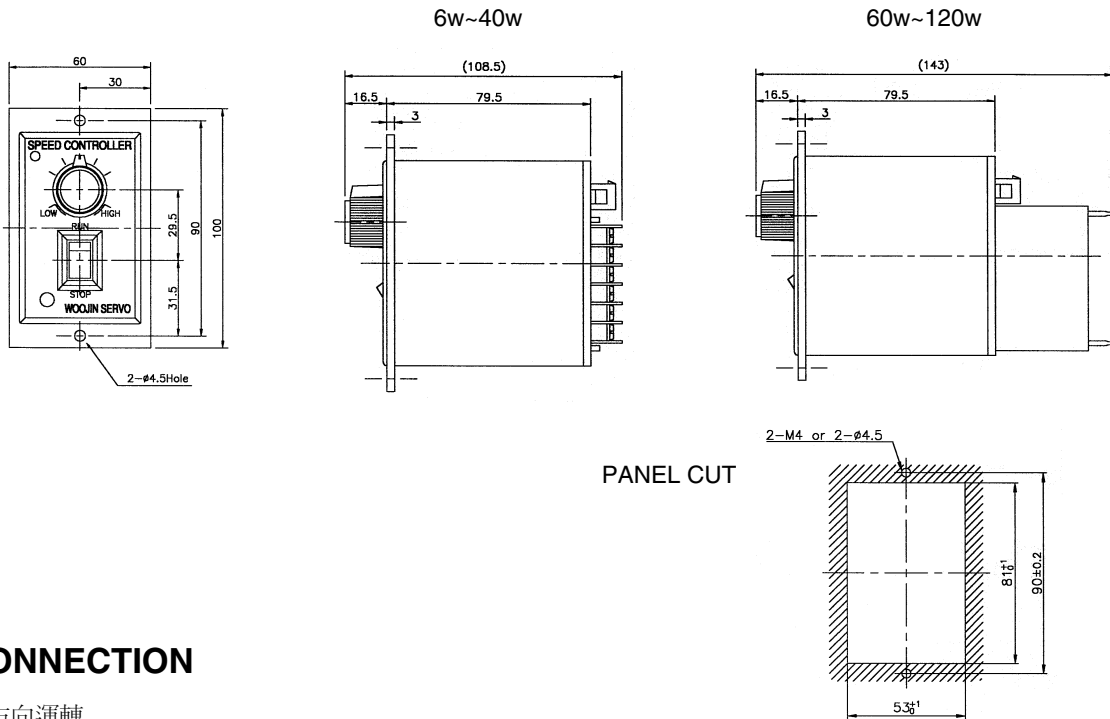
TEL : 07-8635240  
 FAX : 07-8637240  
 Mobile : 019-7788660 / 016-7336610  
 Email : enquiy-jb@ims-motion.com  
 HOTLINE : 1700-818-330

**ISO 9001**  
CERTIFIED COMPANY

[www.ims.com.my](http://www.ims.com.my)

(GST No. 002050170880)

## OUTLINE DIMENSION



## CONNECTION

### · 一方向運轉

SPEED CONTROLLER 뒷면 端子臺의 結線을 바꾸면 回轉方向이 反對로 됩니다.

正方向運轉 : 端子臺의 “COM” 과 “CW” 를 接續합니다.

逆方向運轉 : 端子臺의 “COM” 과 “CCW” 를 接續합니다.

### · 正逆運轉

“CW” · “CCW” 端子에 SWITCH를 連結하여 正 · 逆運轉을 할수 있습니다.

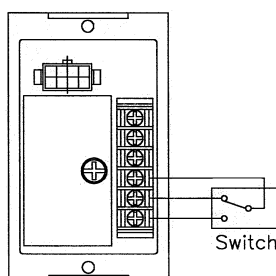
### · 延長CORD

標準MOTOR의 LEAD선 길이는 250mm입니다.

이보다 먼곳에 MOTOR를 設置할때는 延長 CORD(OPTION으로 供給함)를 使用하십시오.

延長 CORD의 길이는 0.5m, 1m, 2m, 3m, 4m, 5m입니다.

- For CW operation, please connect terminal “COM” and “CW”
- For CCW operation, please connect terminal “COM” and “CCW”
- For reversible operation, please install change-over switch as shown on drawing.
- Extension cord(optional) is conveniently used when motor is located more than 250mm apart from control unit. Standard length is 0.5, 1m, 2m, 3m, 4m and 5m(max).



### SWITCH

SINGLE POLE CHANGE-OVER SWITCH

FOR INPUT 110V : 250V AC 5A

220V : 400V AC 3A

DISTRIBUTOR :

**iMS Motion Solution (Johor) Sdn. Bhd.**

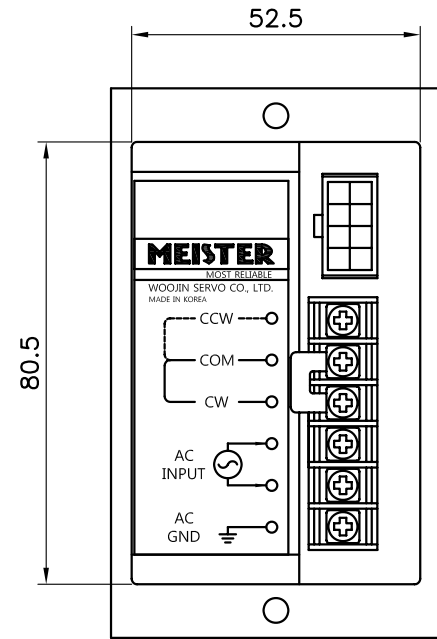
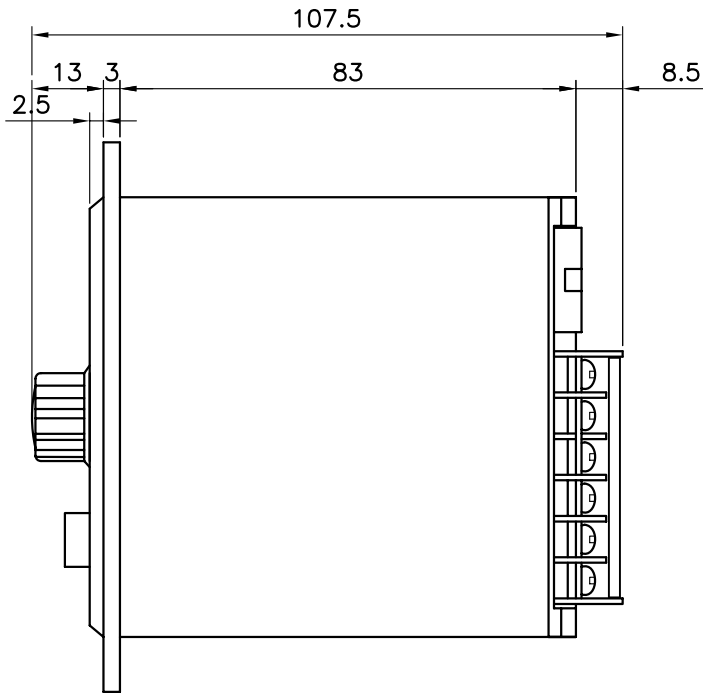
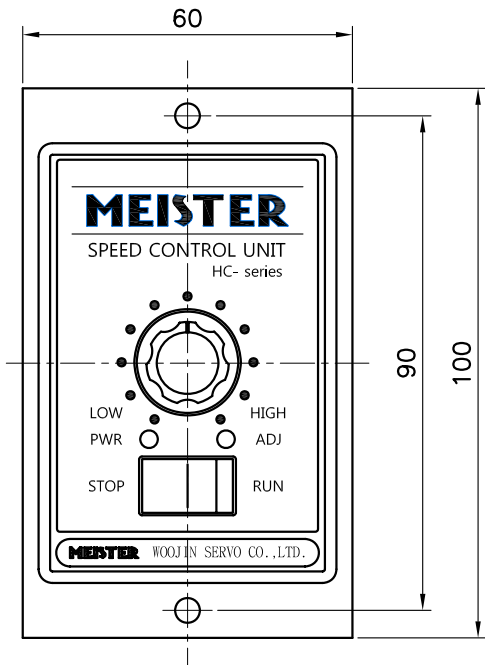
ISO 9001 CERTIFIED COMPANY

TEL : 07-8635240  
 FAX : 07-8637240  
 Mobile : 019-7788660 / 016-7336610  
 Email : enquiy-jb@ims-motion.com  
 HOTLINE : 1700-818-330

**www.ims.com.my**

(GST No. 002050170880)

					도면	외형도		△			
					부품명	HC Control Unit		△			
04	03	02	01	도번	도번	부품명	재질	△			
				01	-	-	-	△			



SCALE	SURFACE TREATMENT	TOLERANCE UNLESS OTHERWISE SPECIFIED			PART NAME
1/1	-	TOLERANCE	SURFACE	ANGLE	
DESIGNED		1	▽		DWG. NO.
CHECKED					
APPROVED					