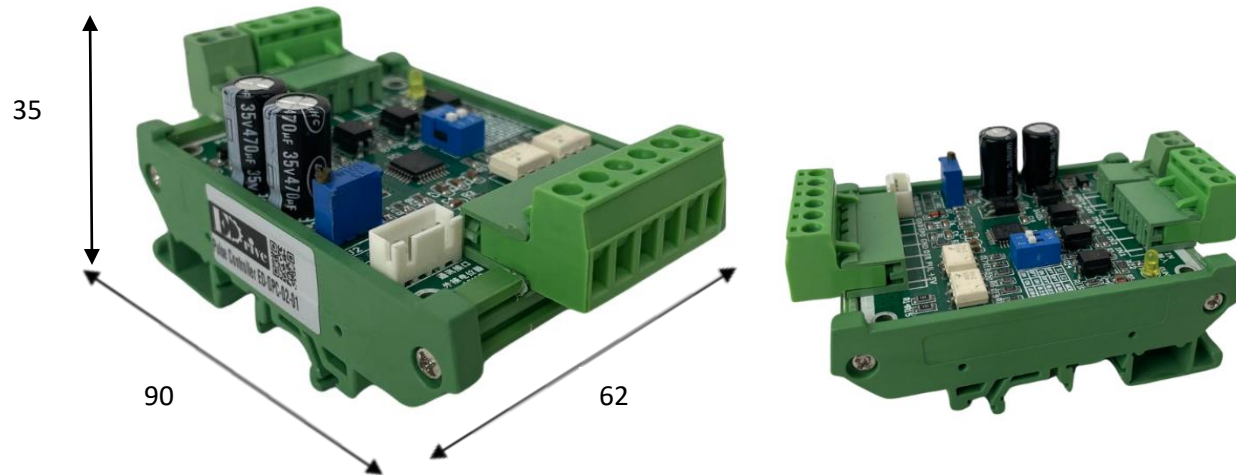


EDRIVE Single Axis Motion Controller

Model : ED-SPC-02



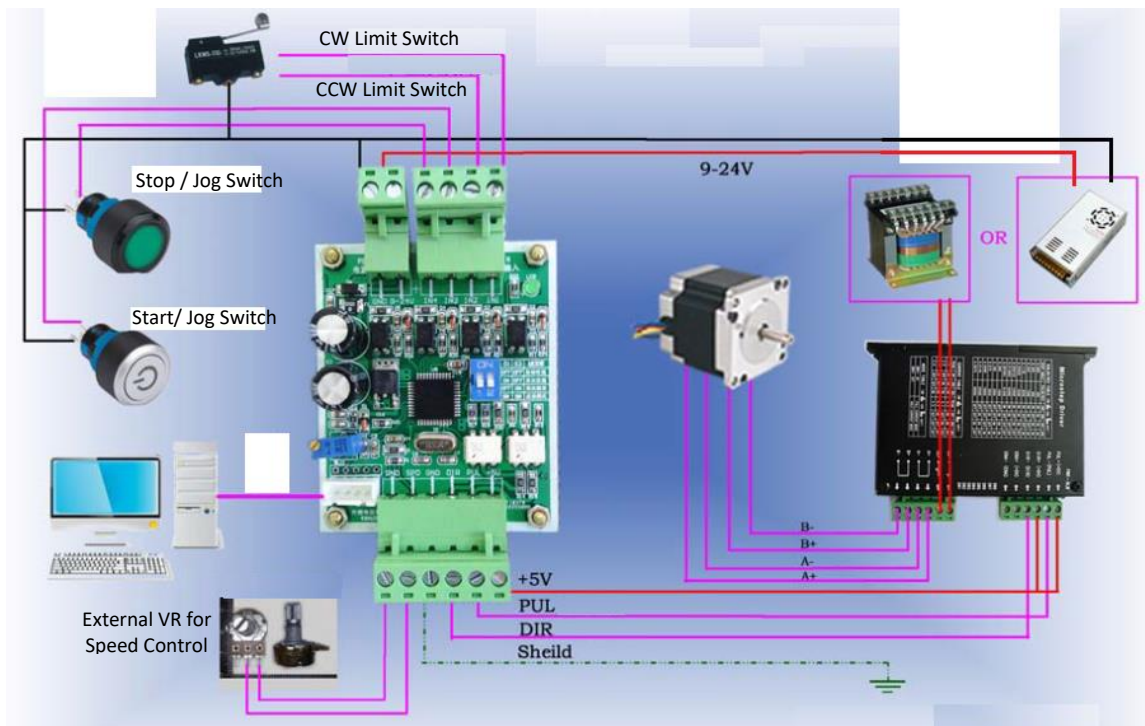
Features:

1. Wide range of Input voltage, 9 to 24VDC with circuit protection
2. Input signal NPN Sink
3. High speed pulse output up to 25Khz (Transistor output)
4. Digital IO with transistor output
5. Built in inner speed controller & external VR for speed control
6. Multi function Operation Mode

Additional Feature:

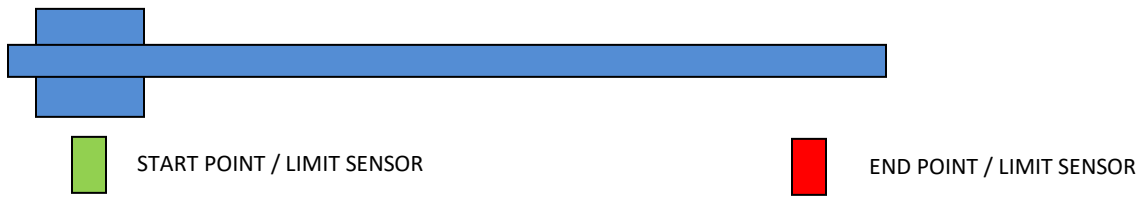
1. PC Software parameter setting is available
2. Setting for No. of running cycle
3. Auto homing function
4. Hi-Lo speed control for Forward & reverse speed
5. Inner, external & PC parameter speed control
6. S-Curve setting is available

Easy-Drive Motion Control Scheme System, Model : ED-SPC-02



No.	DIP 1	DIP 2	FUNCTION / MODE	CONTROL INPUT SWITCH
1	OFF	OFF	Continuous Cycles	Trigger by START switch Interrupt by STOP switch
2	ON	OFF	Single Cycle	Trigger by START Switch Interrupt by STOP switch
3	OFF	ON	Half Cycle	Trigger by START Switch Interrupt by STOP switch
4	ON	ON	Jog Mode	START = Forward STOP = Reverse

Limit Sensors position

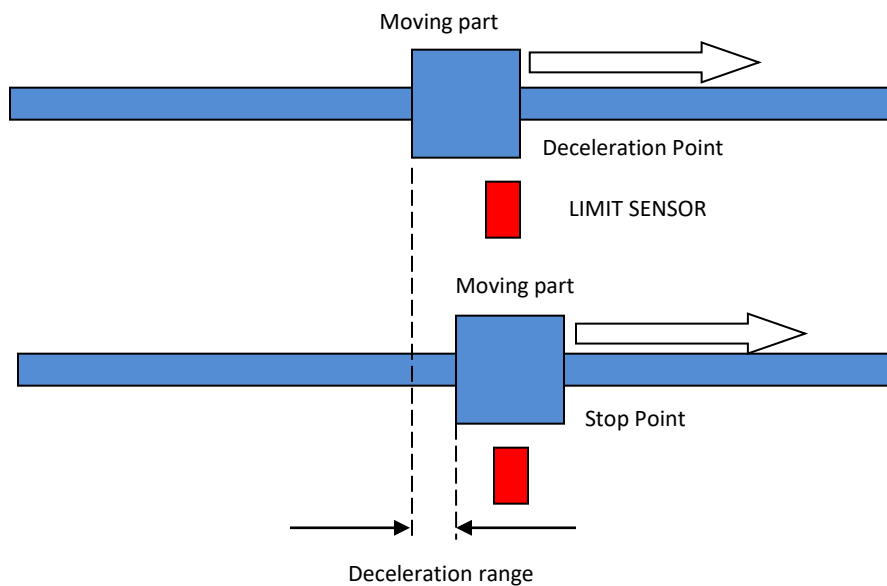


** Remarks

Suggest to fix the roller type limit switch *side by side* to avoid mechanical lever hit the limit switches. Alternatively may fix the photo type limit sensor (NPN type)

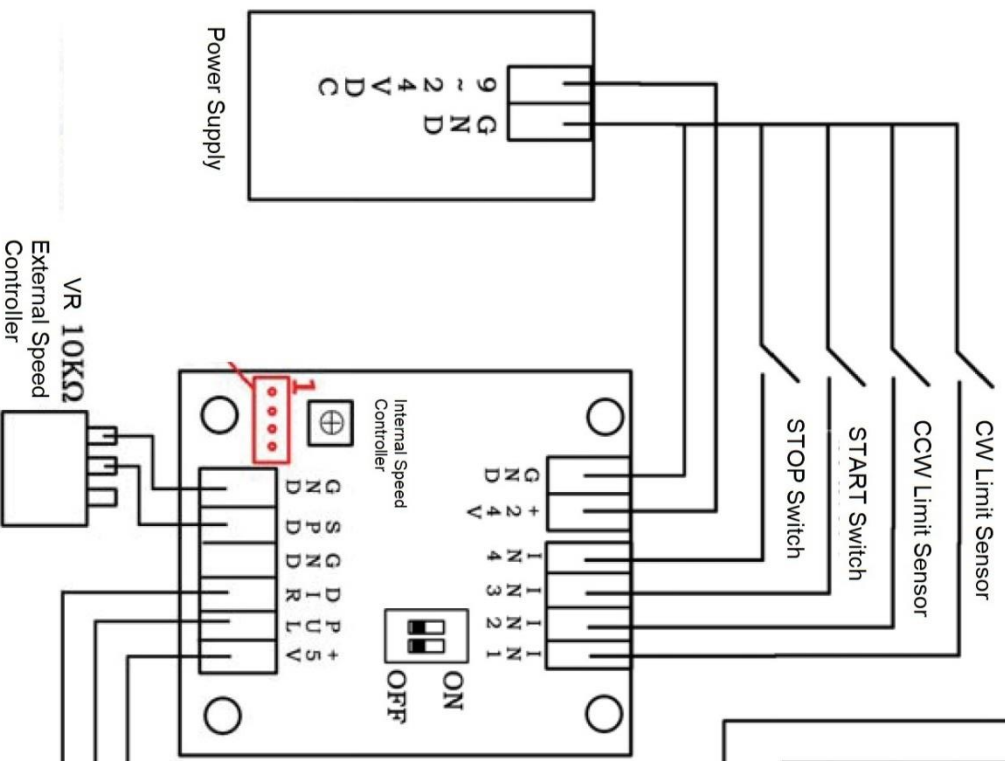
Both mechanical limit switch or NPN photo-type limit sensor is applicable.

Place the sensors in sensing position just after the deceleration zone area



SPC-02

Simple Wiring diagram

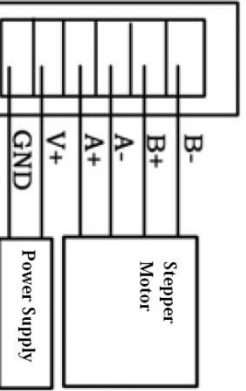


Operation Mode		
S1	S2	MODE
OFF	OFF	Auto CW & CCW
ON	OFF	Single Cycle
OFF	ON	Semi Cycle
ON	ON	Jog

Upper Terminal	
TRN	DESCRIPTION
GND	0V
+24V	9 - 24VDC
IN1	CW Limit SW
IN2	CCW Limit SW
IN3	Start (Jog CW)
IN4	Stop (Jog CCW)

Lower Terminal	
TRN	DESCRIPTION
+5V	+ Power Pulse
PUL	Pulse - Output
DIR	Direction - O/P
GND	- 0V
SPD	VR 10K
GND	- 0V

Negative 0V to input terminal



- Specification :**
- Power Supply : 9-24VDC / 0.1A
 - Non Polarity & short circuit protection
 - High Speed Pulse output
 - Dimensions : W72XD60XH20mm
 - Mounting : Din Rail type
 - Speed Control : Internal & External VR



MOTION CONTROLLER
MODEL : SPC-02