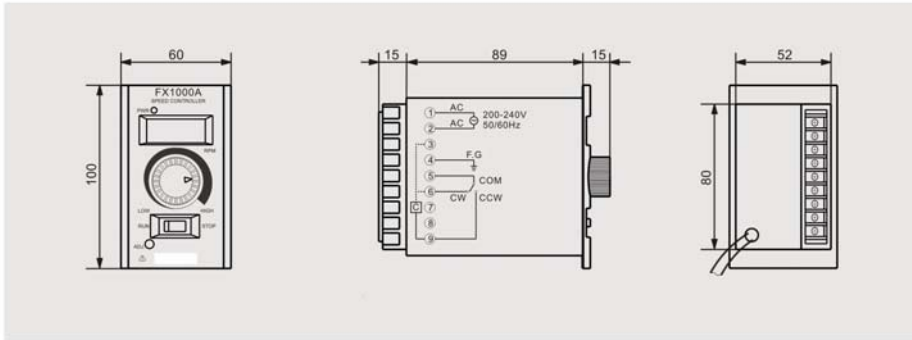


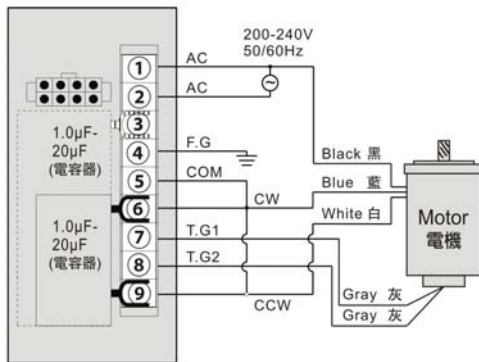
DIGITAL SPEED CONTROLLER



OVERALL DIMENSIONS



CONNECTION DIAGRAMS



- CW : (COM+CW)
- CCW : (COM+CCW)

OPERATION:

According to wiring diagram, please connect a motor and controller. And then turn on AC power. User can set speed by using main volume in front of controller.

SET DIRECTION:

1 CW (COM+CW), 2 CCW (COM+CCW)

CONDENSER:

Connect 3-9 or 6-9

操作:

請按照左圖接線圖接線，連接電機和控制部分，然後打開交流電源，用戶可通過總轉速控制器進行使用轉速設置。

設置用法說明:

1.CW: (COM+CW); 2.CCW: (COM+CCW)

電容器:

連接3-9或6-9。