

# SPEED CONTROL MOTOR

# MEISTER Series

## 90□ 40w

## IHT/RHT

### ■ PERFORMANCE DATA (DUTY : CONTINUOUS)

Motor Type	Output (W)	Voltage (V)	Freq. (Hz)	Speed Range (rpm)	Rated Torque		Starting		Condenser	
					1200rpm (gf·cm)	90rpm (gf·cm)	Current (mA)	Torque (gf·cm)	(V)	(μF)
IHT9PF40-10	40	1∅100	50	90~1400	3100	1000	1600	2400	250	10.0
			60	90~1700	2500	1000	1600	2400		
IHT9PF40-11		1∅110	60	90~1700	2500	1000	1600	2400	250	10.0
IHT9PF40-20	40	1∅200	50	90~1400	3100	1000	800	2400	450	2.5
			60	90~1700	2500	1000	800	2400		
IHT9PF40-22		1∅220	60	90~1700	2500	1000	800	2400	450	2.5
IHT9PF40-1U	40	1∅115	60	90~1700	2500	1000	1600	2400	250	8.0
IHT9PF40-2C	40	1∅220	50	90~1400	3100	1000	800	2400	450	2.0
		1∅240	50	90~1400	3100	1000	800	2400		

### ■ PERFORMANCE DATA (DUTY : 30 Min.)

Motor Type	Output (W)	Voltage (V)	Freq. (Hz)	Speed Range (rpm)	Rated Torque		Starting		Condenser	
					1200rpm (gf·cm)	90rpm (gf·cm)	Current (mA)	Torque (gf·cm)	(V)	(μF)
RHT9PF40-10	40	1∅100	50	90~1400	3100	1000	1600	3300	250	15.0
			60	90~1700	2500	1000	1600	3300		
RHT9PF40-11		1∅110	60	90~1700	2500	1000	1600	3300	250	15.0
RHT9PF40-20	40	1∅200	50	90~1400	3100	1000	800	3300	450	3.5
			60	90~1700	2500	1000	800	3300		
RHT9PF40-22		1∅220	60	90~1700	2500	1000	800	3300	450	3.5
RHT9PF40-1U	40	1∅115	60	90~1700	2500	1000	1600	3300	250	12.0
RHT9PF40-2C	40	1∅220	50	90~1400	3100	1000	800	3300	450	3.0
		1∅240	50	90~1400	3100	1000	800	3300		

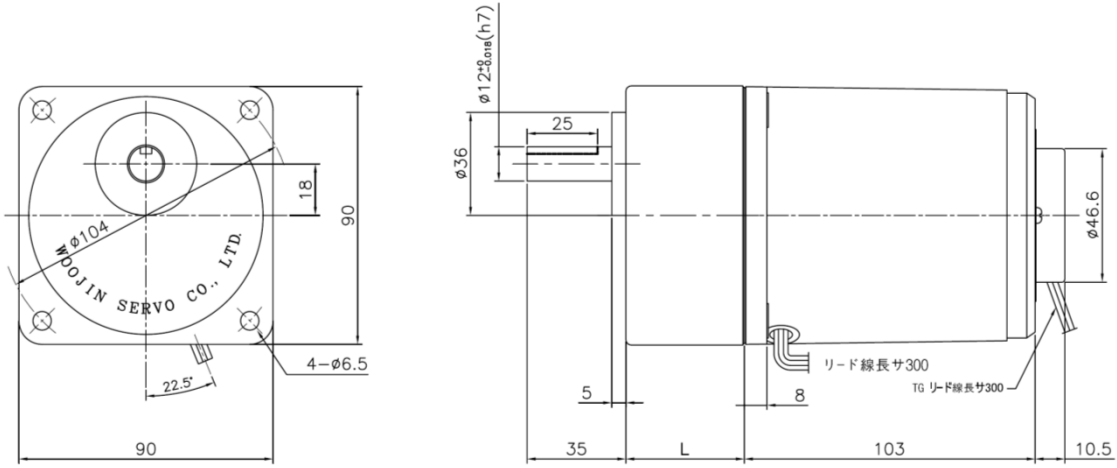
- Motor Type은 감속기 직결용인 피니언축으로 표시하였습니다. STRAIGHT축의 모터를 희망하시면 Motor Type의 PF를 S로 바꾸어 주문하십시오.
- 표시한 모터는 UL 또는 CE규격을 적용한 TP(Thermal Protect) Type입니다.
- For motor with straight shaft, please write S in place of PF in Motor Type.
- Motor Type in green screen represents the motors with TP(Thermal Protect) according to UL or CE regulation.

■ OUTLINE DIMENSION

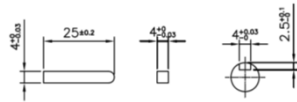


Fig.1 GEARED MOTOR WT 2.6 + 0.8/0.9 kg

IHT9PF40(RHT9PF40) + 9H□FM(9H□FB)



▼ KEY SPEC



No	L(mm)	減速比	ボルト
01	42	1/3 ~1/20	M6×70
02	60	1/25~1/200	M6×90

■ SPEED-TORQUE CURVE

