



## DRINK MACHINE ADVANCE®

### The Ultimate Blender For Every Beverage Program

From fruit smoothies to thick shakes, the Drink Machine Advance is an essential tool for expanding and maintaining your beverage program.

#### Smart Product Design

- 6 optimized programs and automatic shut-off means you can turn it on, walk away, and blend consistently-smooth beverages
- Pulse control quickly refreshes drinks for efficiency
- The Advance® container has a longer life, with improved pourability and extended blade life saving you time and money
- Advanced motor is designed to resist overheating when blending extra-thick ingredients resulting in enhanced reliability during peak hours of operation



Perfectly blended smoothies

## Product Specifications

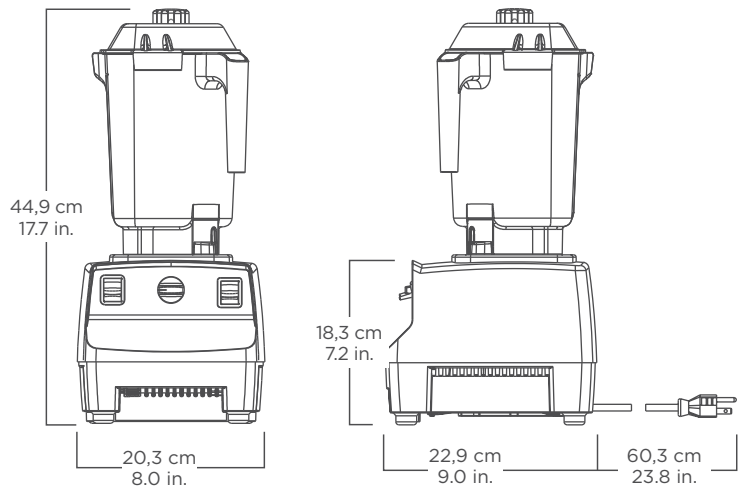
### Drink Machine Advance® Item No. 10199

Motor: ≈2 peak output horsepower motor  
 Electrical: 220 - 240 V, 50/60 Hz, 750 - 850 W  
 Pack: Includes Drink Machine Advance with 0,9 L high-impact, clear/stackable Advance® container, complete with blade assembly and lid, and silver base.

Net Weight: 5,9 kg (6,3 kg with box)

Dimensions: 44,9 x 20,3 x 22,9 cm (H x W x D)

Warranty: Please contact your authorized Vitamix distributor for warranty information.



### Also Available

Drink Machine Advance with Advance container  
 Item No. 10198: 220 - 240 V, 50/60 Hz, 750 - 850 W (black base)  
 Item No. 10194: 120 V (EMC), 50/60 Hz, 11,5 A  
 Item No. 10196: 100 V, 50/60 Hz, 900 W



Additional containers, complete with blade assembly and lid.

Item No. 15981: Advance container 0,9 L

Item No. 15506: standard container 1,4 L

Item No. 15640: compact container 0,9 L

Item No. 15606: Software kit for customized programming.

For more information, please contact an authorized Vitamix distributor, or Vitamix international customer service.



## Contact Information

U.S.A., Canada & Latin America: [www.vitamix.com/foodservice](http://www.vitamix.com/foodservice)

Tel: 800.4DRINK4 or 440.235.0214

E-mail: [foodservice@vitamix.com](mailto:foodservice@vitamix.com)

Vita-Mix Corporation  
 8615 Usher Road  
 Cleveland, OH 44138-2103 U.S.A.

Outside of U.S.A., Canada & Latin America:

Tel: +1.440.782.2450

E-mail: [international@vitamix.com](mailto:international@vitamix.com)

For more information, contact your local foodservice distributor.