
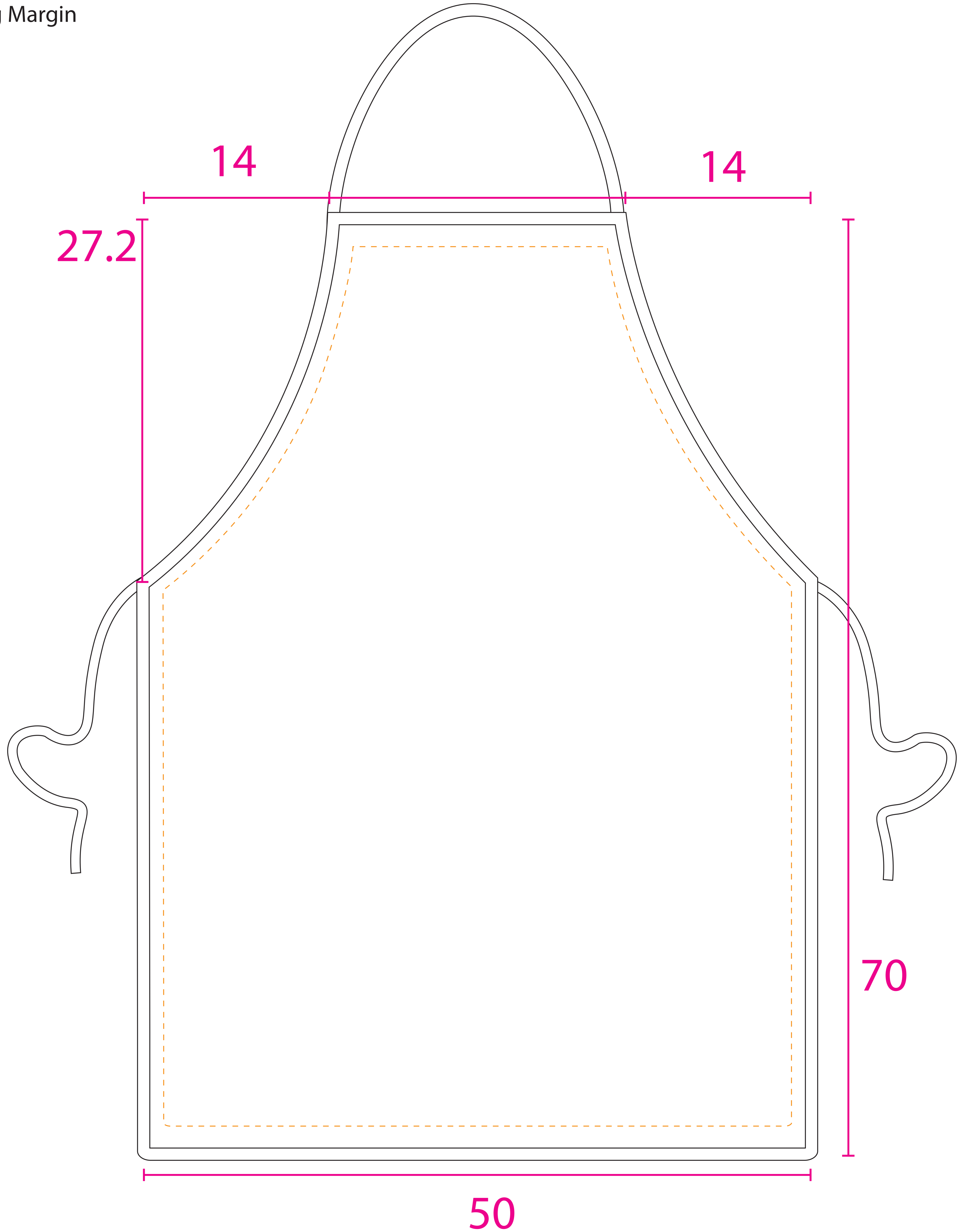


Template : N26
(Custom Made)

Apron (N26) 50cm (W) x 70cm (H)

 = Printing Margin



Available colours as below:



***** All the artwork must in vector file *****

Printing Guideline:

1. Font size must be not be smaller than 0.4cm

Example: **Enterprice** 4mm

2. Font thickness must be at minimum for:

Normal Printing

He 0.4mm e 0.6mm

Invert Printing

He 0.6mm e 0.8mm

Normal Printing

TM 0.4mm R 0.4mm

Invert Printing

TM 0.6mm R 0.8mm

3. Line thickness must be at minimum for:

Normal Printing

0.4mm

Invert Printing

0.6mm

Remark: Add on 0.2mm for each measurement if the printing color is : Gold, Silver or White.