
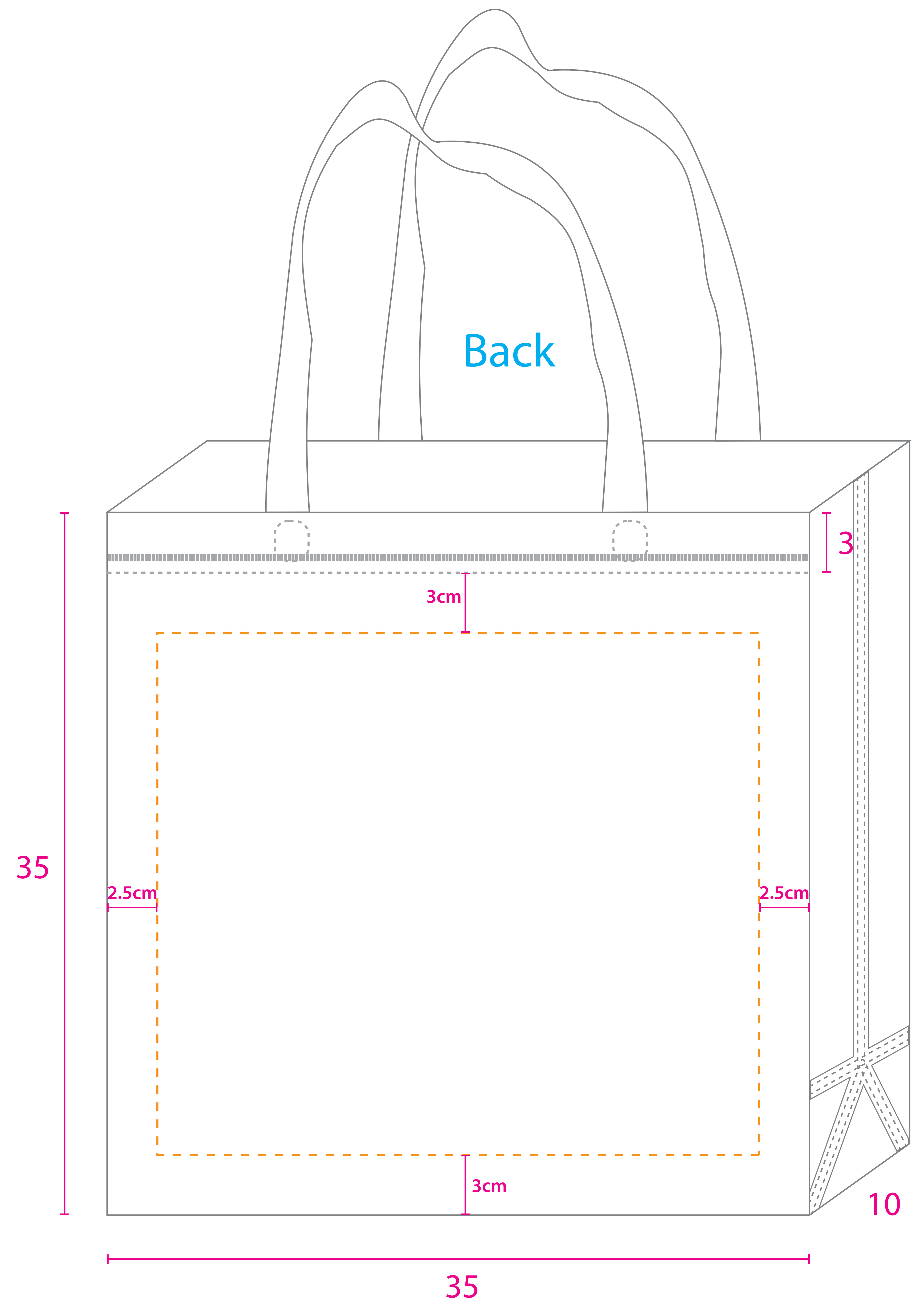
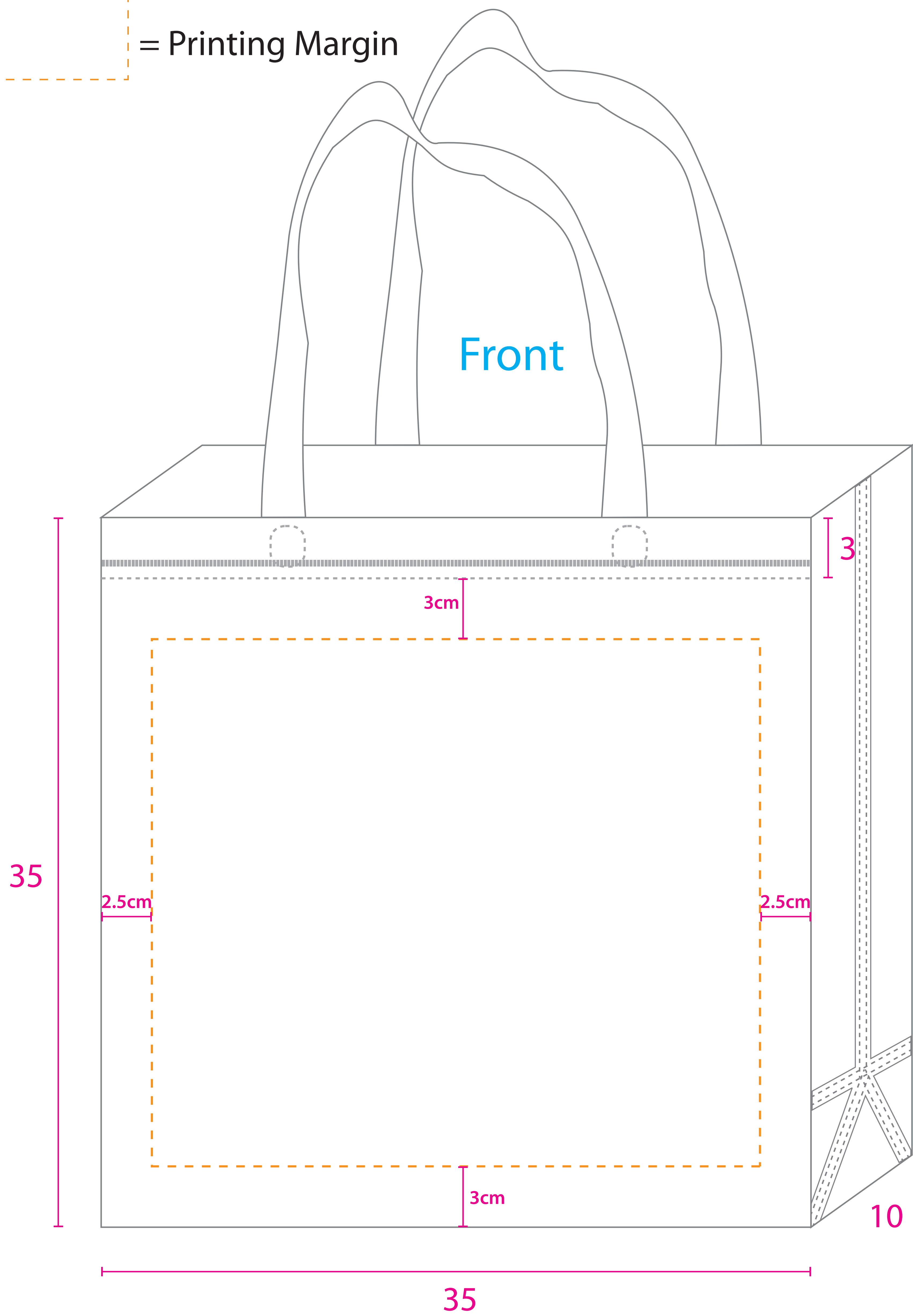


Template : N03A
(Hand Printing)

N03A (SBA) : 35cm (W) x 35cm(H) x 10cm(D)

 = Printing Margin



Available colours as below:



*****All the artwork must in vector file*****

Printing Guideline:

1. Font size must be not be smaller than 0.4cm

Example: **Enterprise** 4mm

2. Font thickness must be at minimum for:

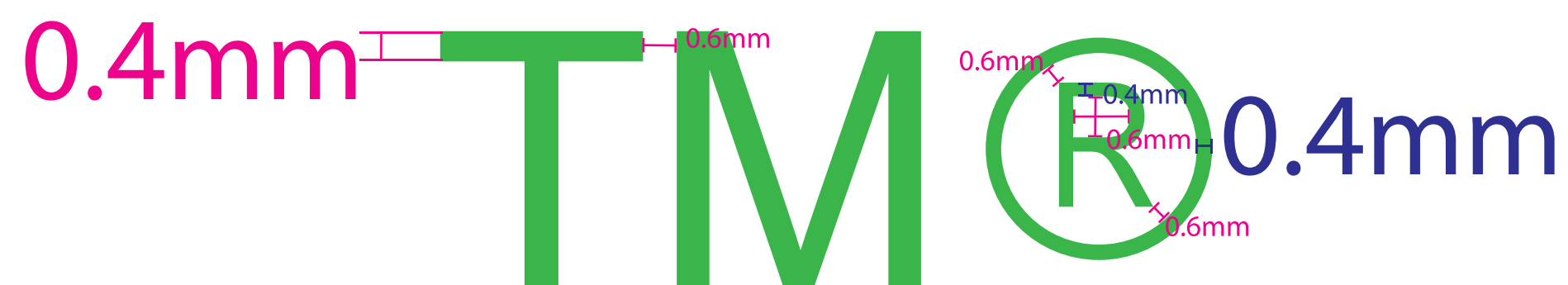
Normal Printing



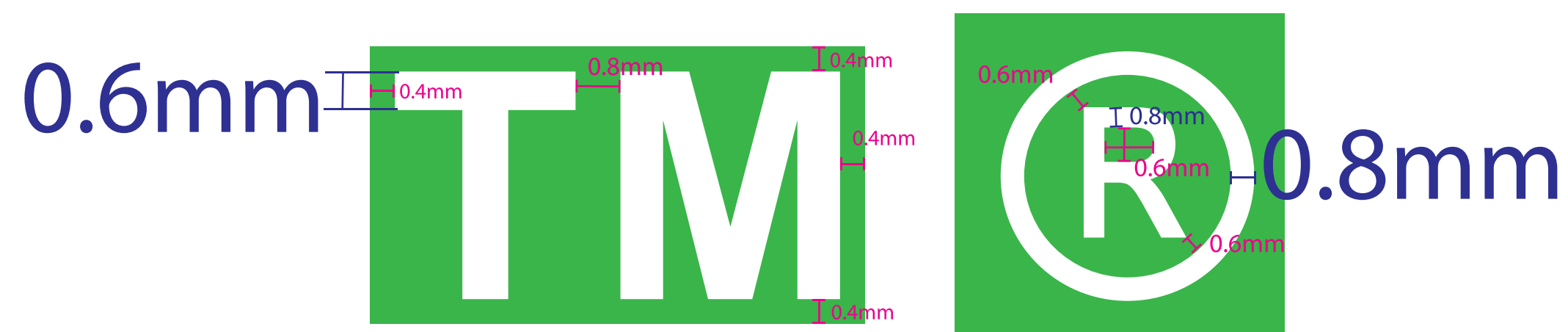
Invert Printing



Normal Printing



Invert Printing



3. Line thickness must be at minimum for:

Normal Printing



Invert Printing



Remark: Add on 0.2mm for each measurement if the printing color is : Gold, Silver or White.