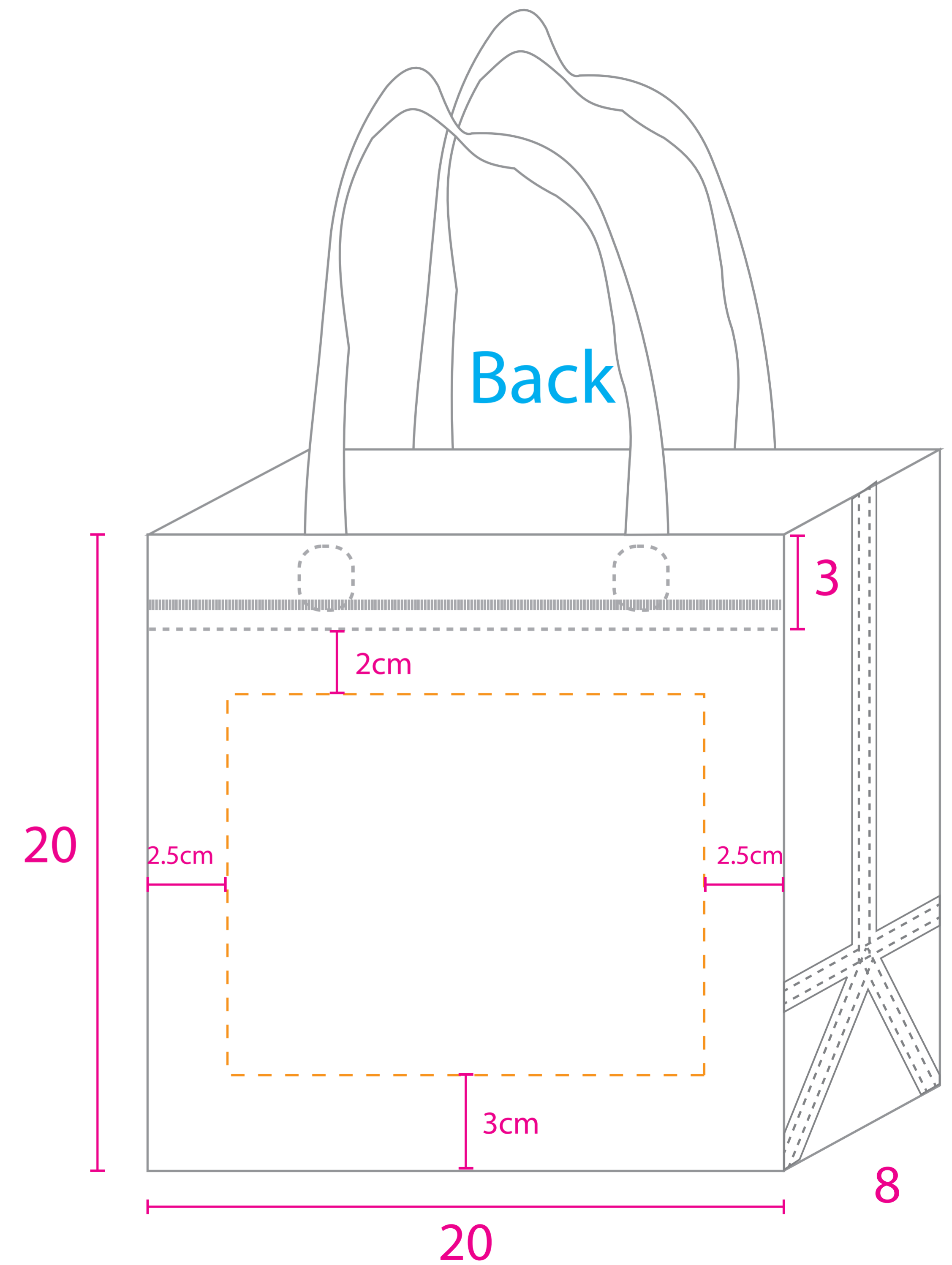
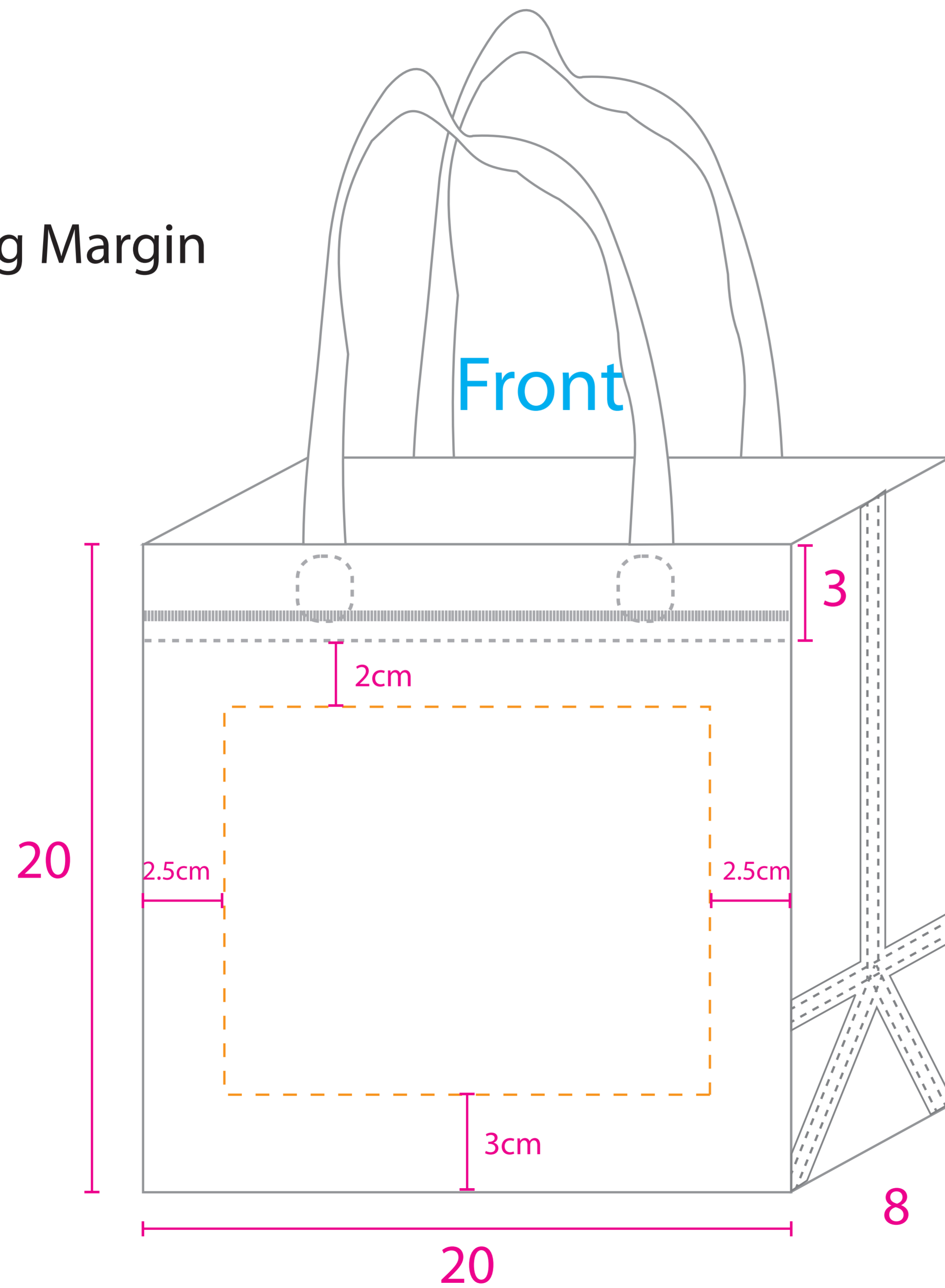


# N35 (SBA) : 20cm (W) x 20cm(H) x 8cm(D)

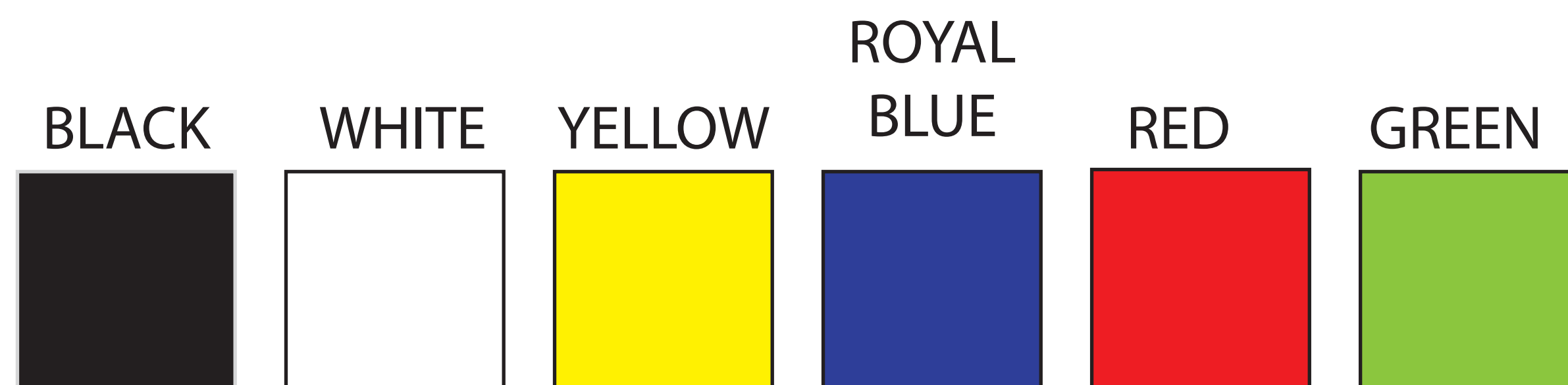
Template : N35  
(Hand Printing)



= Printing Margin



# Available colours as below:



**\*\*\*All the artwork must in vector file\*\*\***

## Printing Guideline:

1. Font size must be not be smaller than 0.4cm

Example: **Enterprise** 4mm

2. Font thickness must be at minimum for:

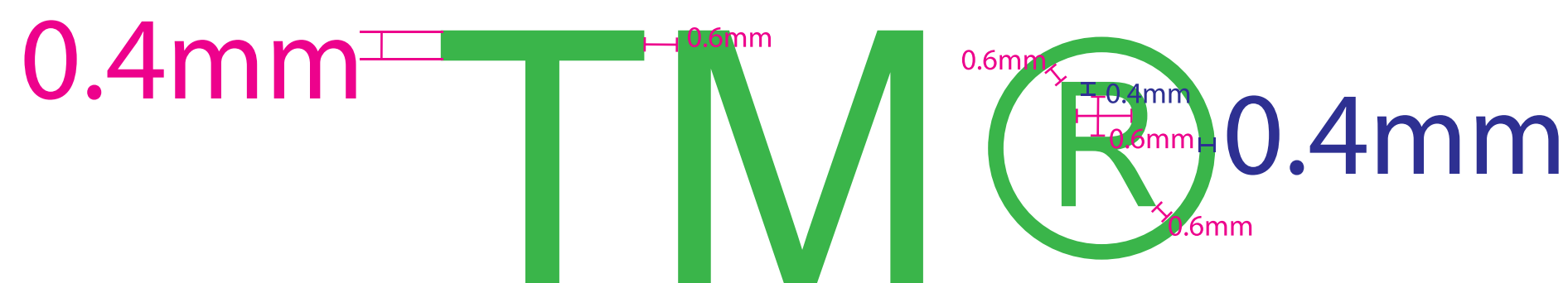
Normal Printing



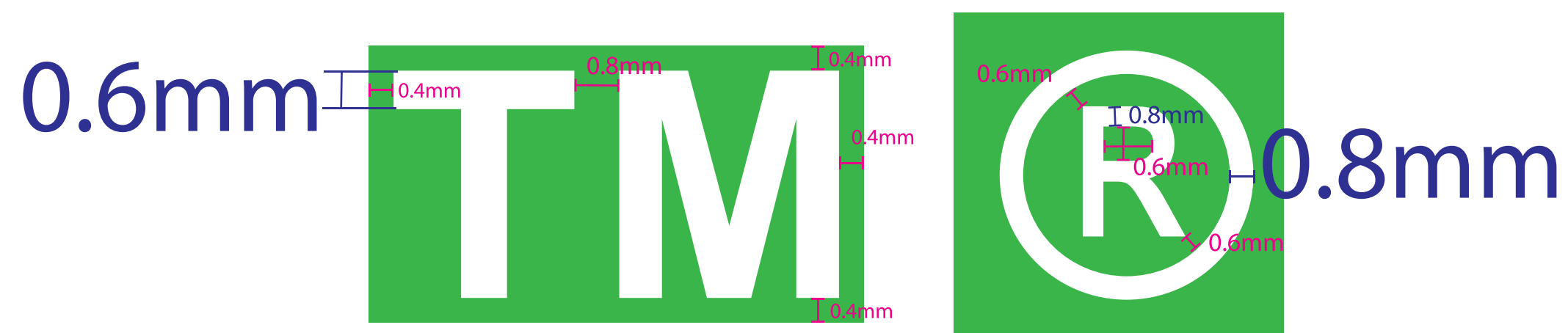
Invert Printing



Normal Printing



Invert Printing



3. Line thickness must be at minimum for:

Normal Printing



Invert Printing



**Remark: Add on 0.2mm for each measurement if the printing color is : Gold, Silver or White.**