
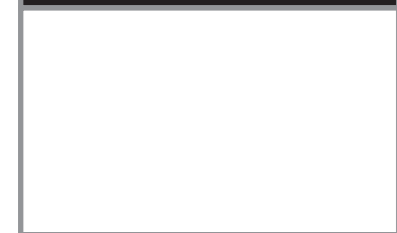






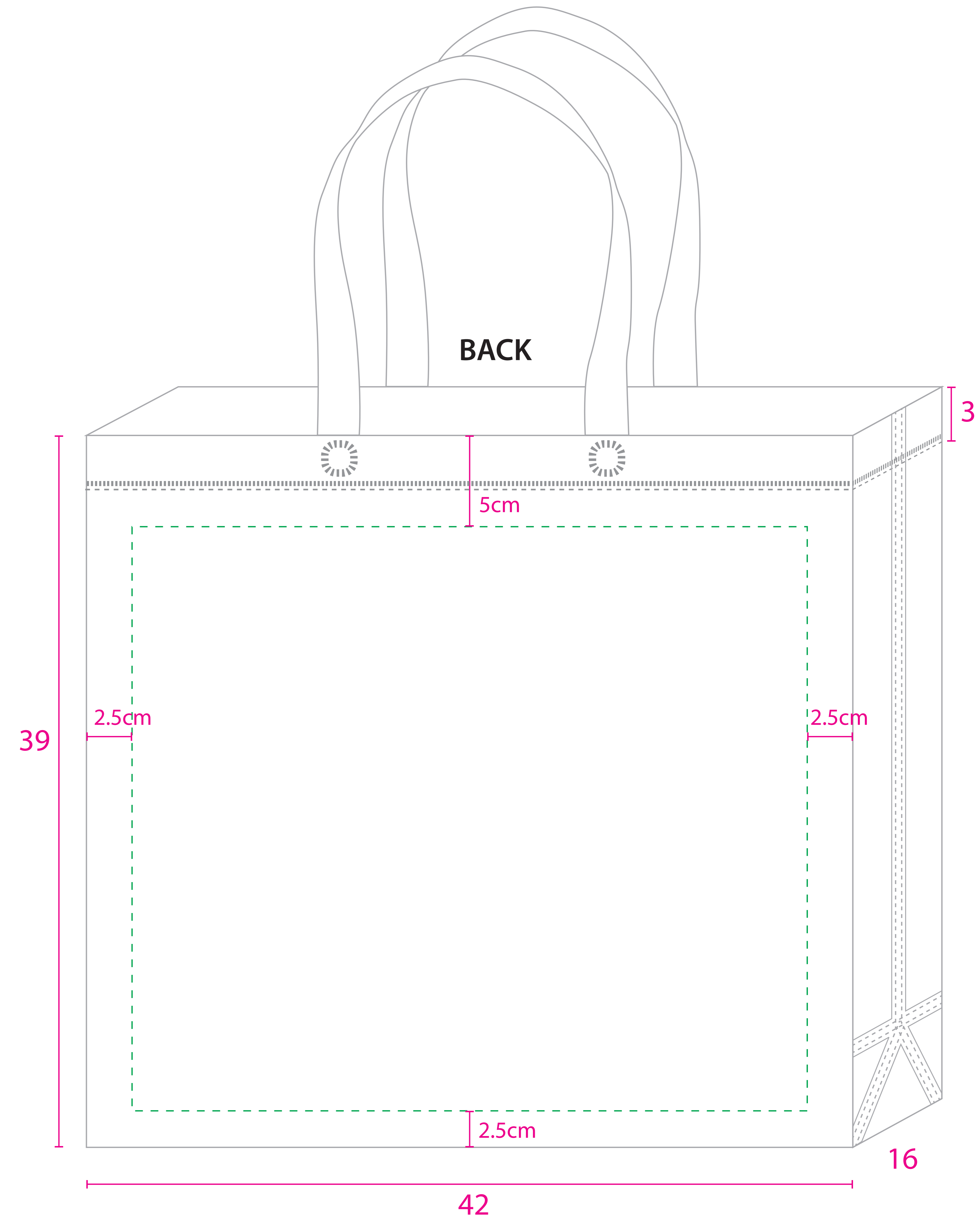
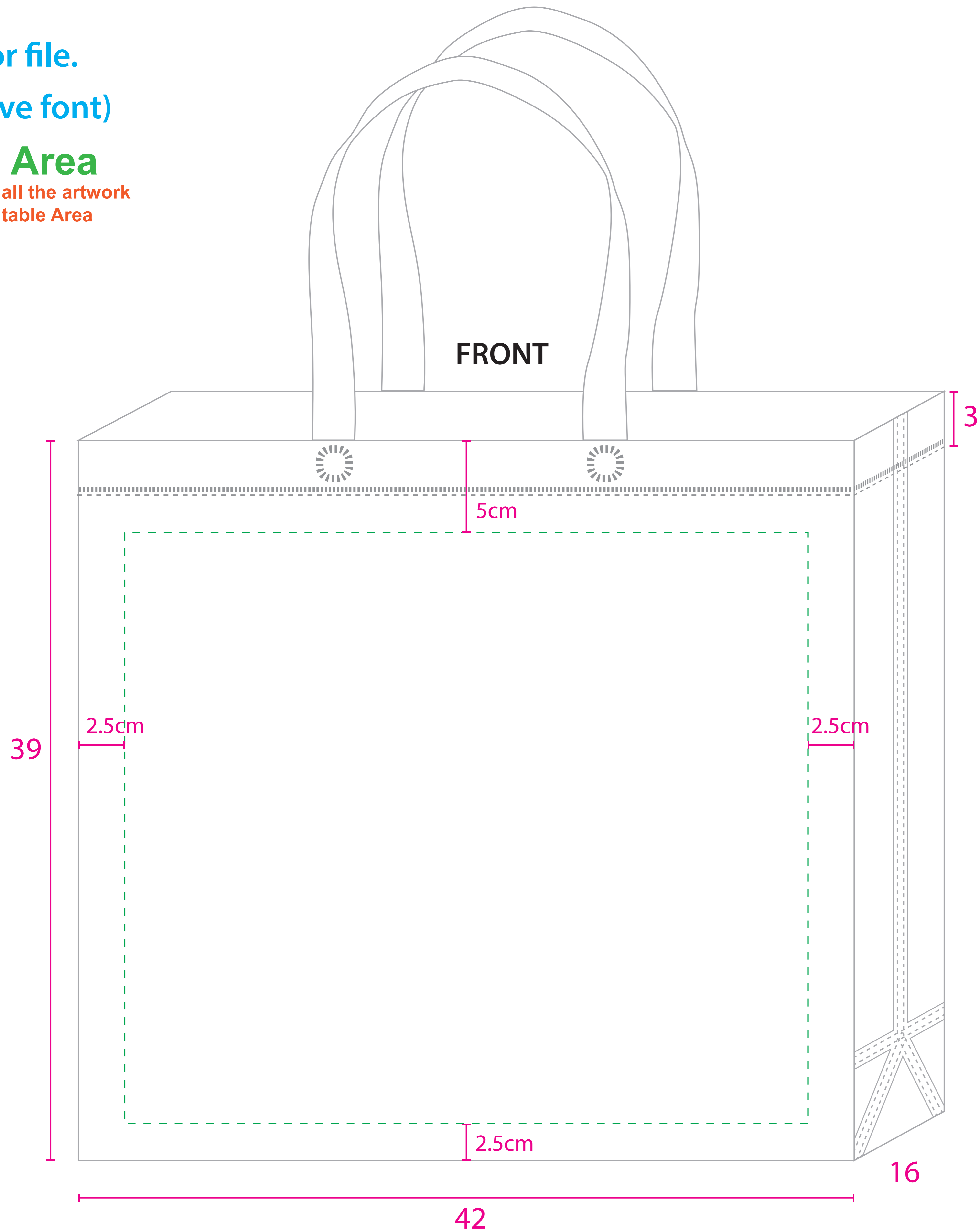


TERMS

- * Artwork must in Vector file.
- * Expend all fonts (No live font)

* **Printable Area**
Please make sure all the artwork are within the Printable Area

BAG COLOR	
	BLACK
	WHITE
	YELLOW
	RED
	GREEN
	CYAN
	ROYAL BLUE
	NAVY BLUE



Printing Guideline:

1. Font size must be not be smaller than 0.4cm

Example: **Enterprise** 4mm

2. Font thickness must be at minimum for:

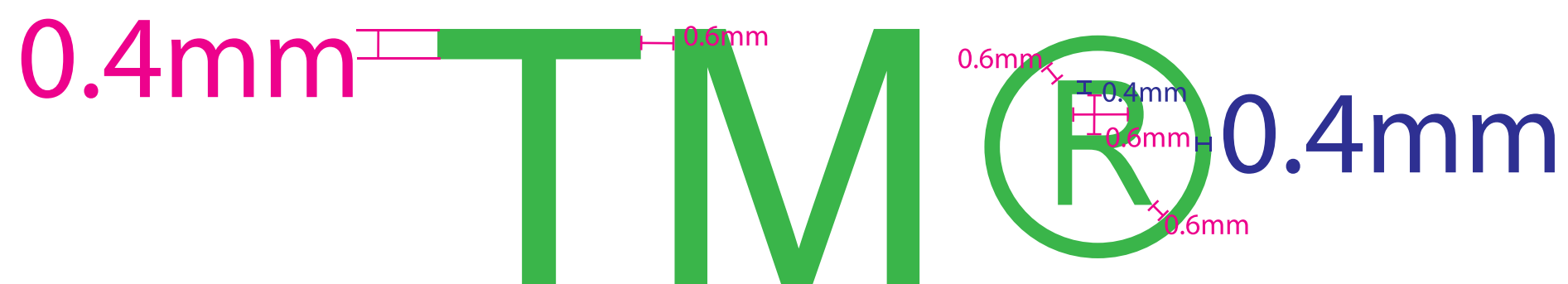
Normal Printing



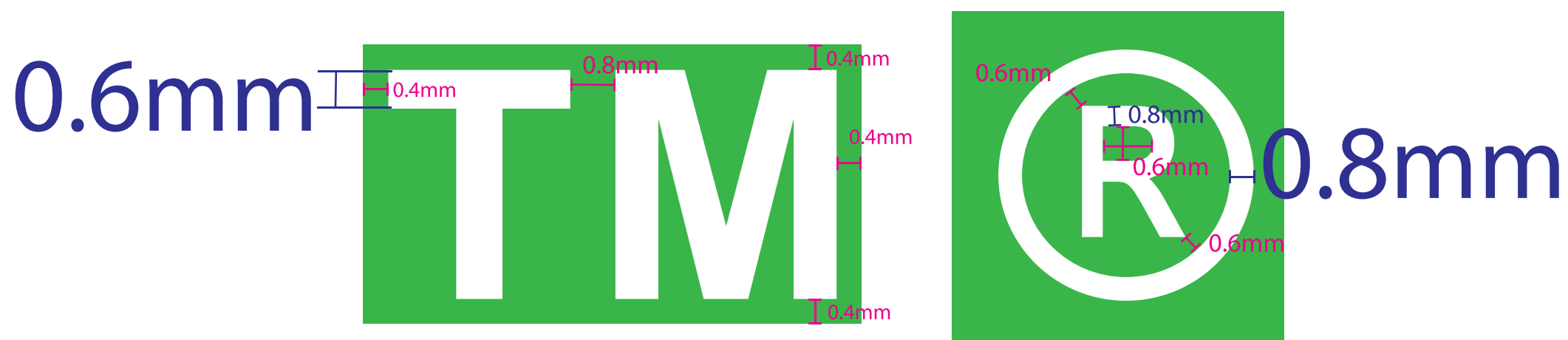
Invert Printing



Normal Printing



Invert Printing



3. Line thickness must be at minimum for:

Normal Printing



Invert Printing



Remark: Add on 0.2mm for each measurement if the printing color is : Gold, Silver or White.