

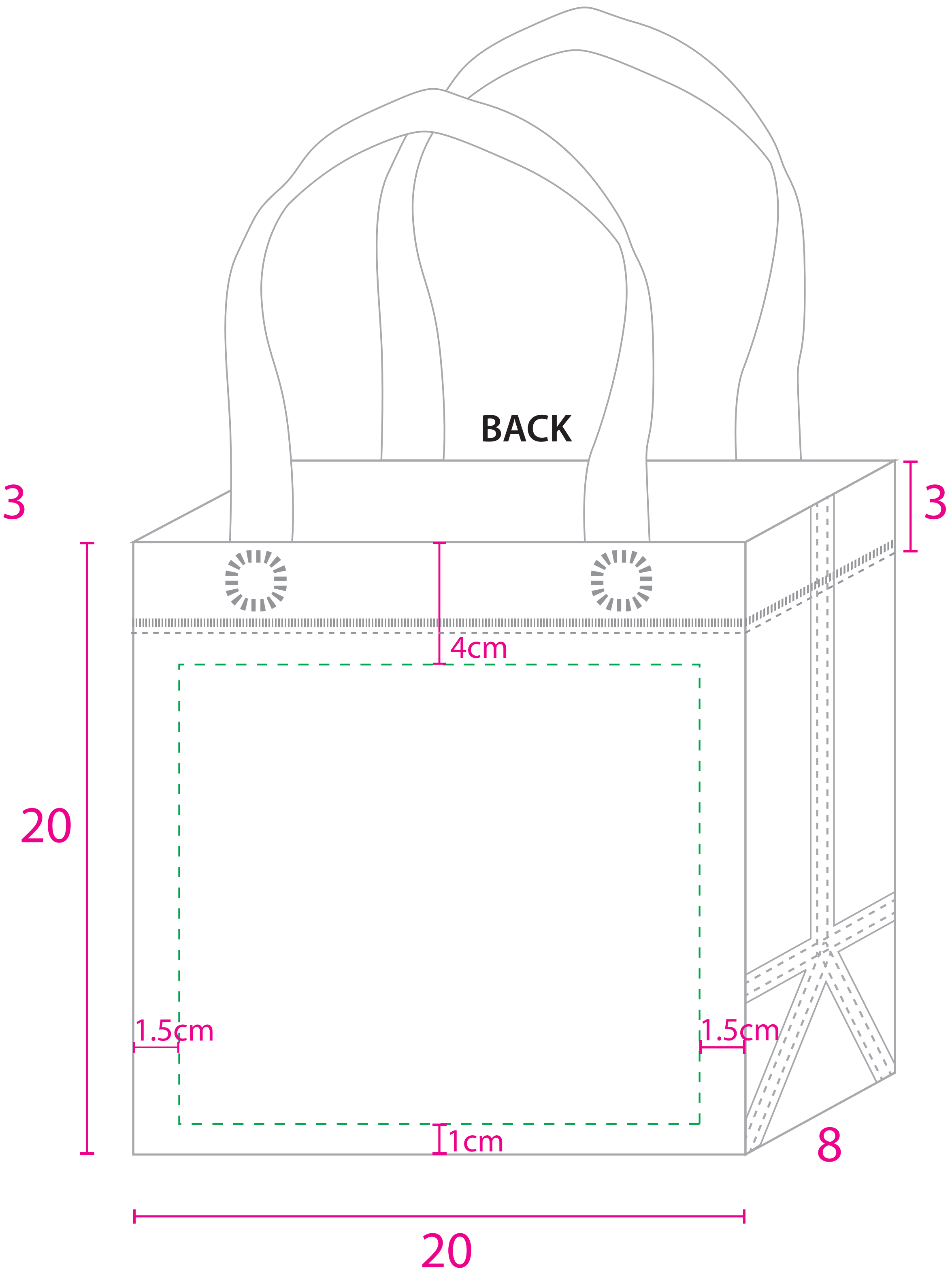
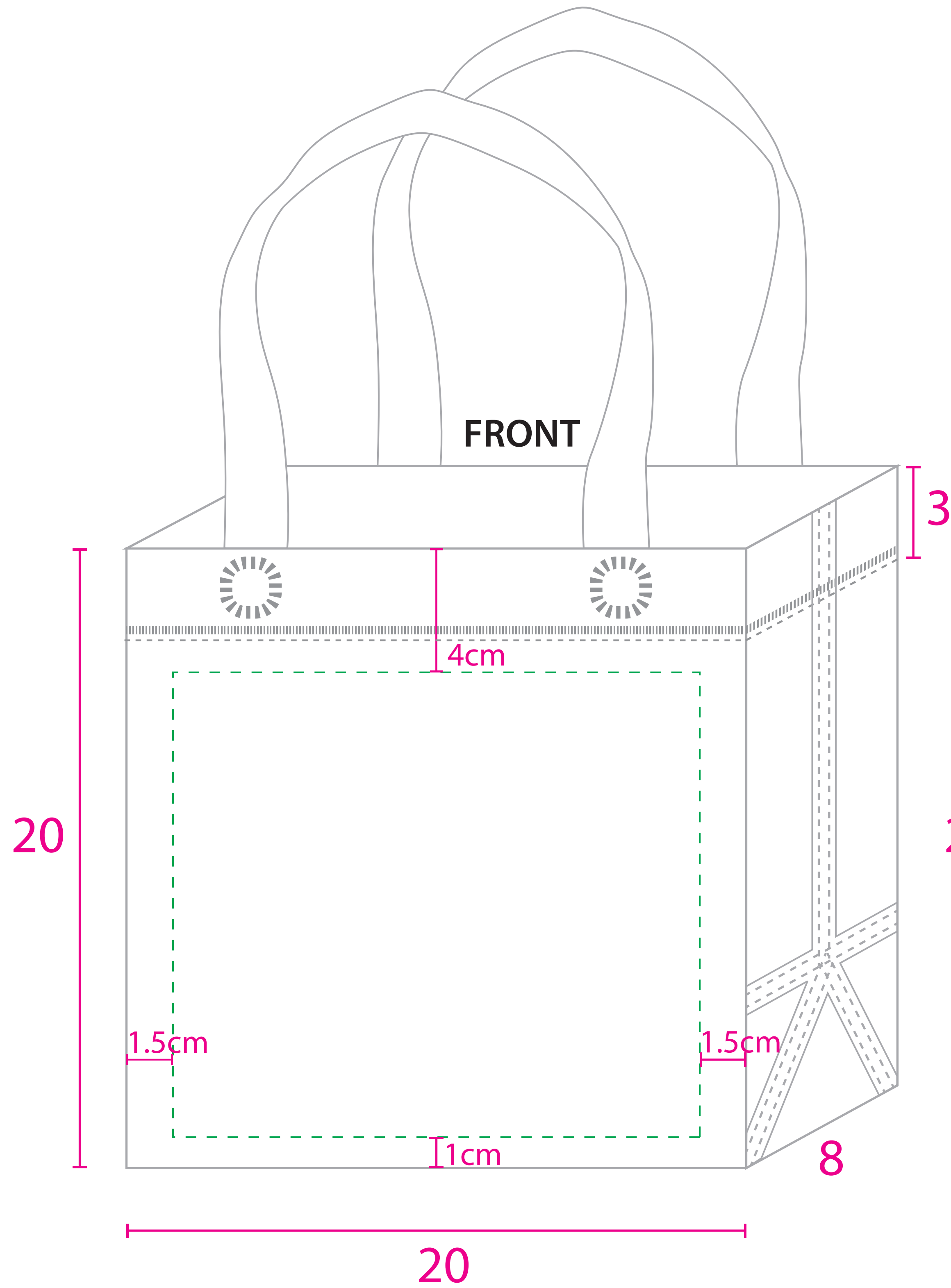
NH35 MADE TO ORDER

TERMS

- * Artwork must in Vector file.
- * Expend all fonts (No live font)

*  **Printable Area**
Please make sure all the **IMPORTANT INFORMATION** are within the Printable Area.

| FABRIC COLOR | | | |
|--|-------------|---|-------------|
|  | BLACK |  | MILO GREEN |
|  | WHITE |  | DARK GREEN |
|  | BEIGE |  | TURQUOISE |
|  | YELLOW |  | CYAN |
|  | ORANGE |  | ROYAL BLUE |
|  | DARK ORANGE |  | NAVY BLUE |
|  | MAGENTA |  | DARK PURPLE |
|  | MULBERRY |  | LIGHT BROWN |
|  | RED |  | DARK BROWN |
|  | MAROON |  | GREY |
|  | GREEN | | |



Printing Guideline:

1. Font size must be not be smaller than 0.4cm

Example: **Enterprise** 4mm

2. Font thickness must be at minimum for:

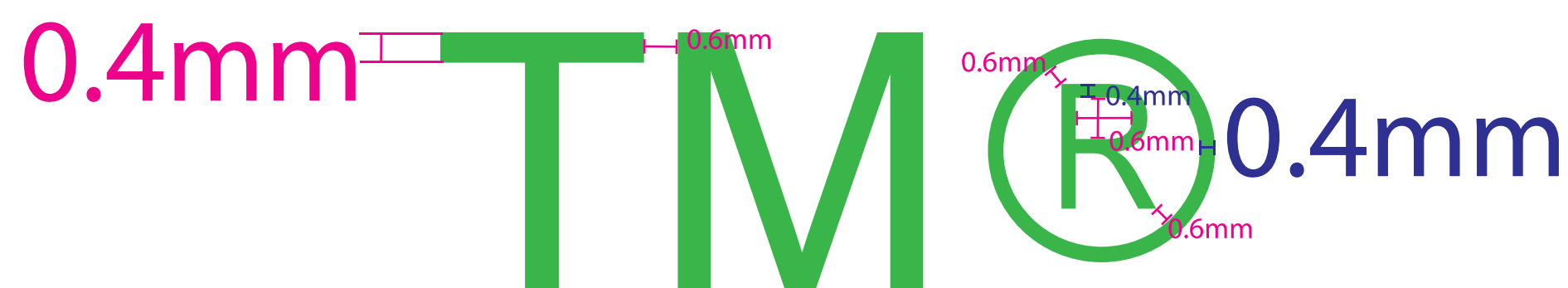
Normal Printing



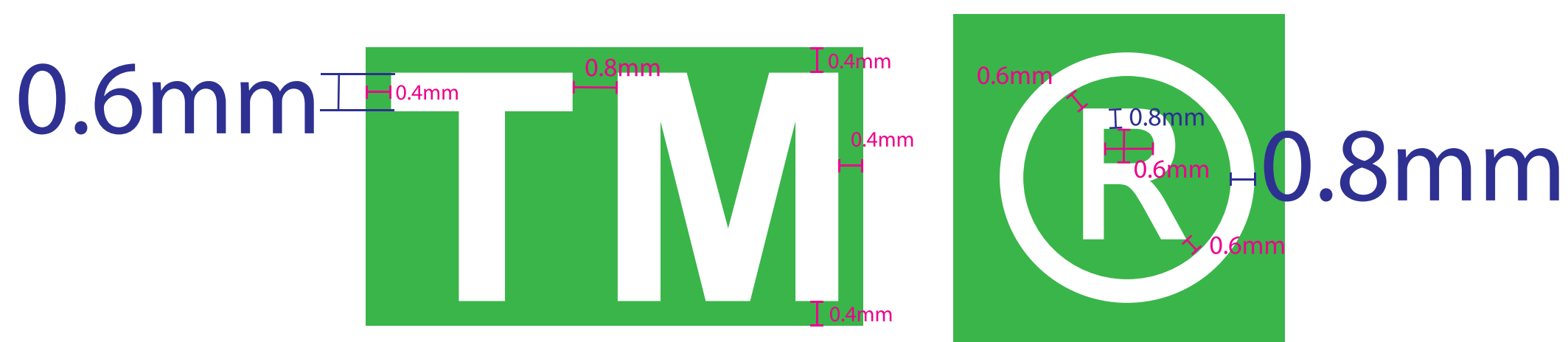
Invert Printing



Normal Printing



Invert Printing



3. Line thickness must be at minimum for:

Normal Printing



Invert Printing



Remark: Add on 0.2mm for each measurement if the printing color is : Gold, Silver or White.