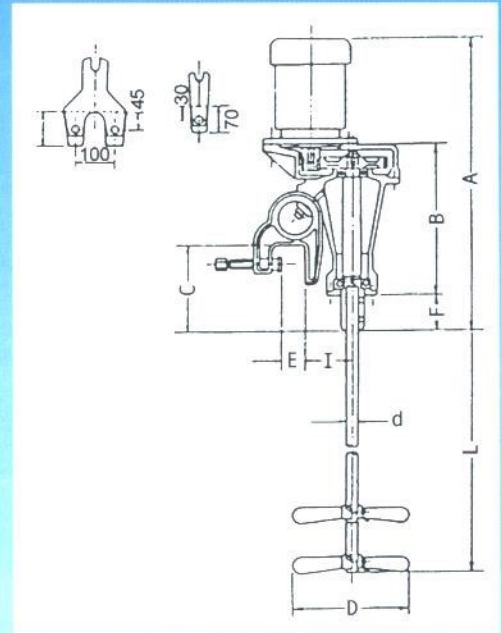


Shinko Agitator

MIXING EQUIPMENT

Shinko Agitator Type TG is most extensively used in the agitation of dilute solutions of small to large-volume.

- Small size and light weight agitator with simple construction
- Can be mounted easily to the tank wall and frame with C clamp
- Popular in pollution abatement equipment and extensively used in dissolving reactions of chemical.



Model		TG-10	TG-20	TG-40	TG-75
Motor (weather Proof)	kW	0.1	0.2	0.3	0.75
	V	220/415	220/415	220/415	220/415
	Phase	3	3	3	3
Shaft (SUS304)	Length-L (mm)	800	1000	1200	1350
	CD (mm)	16	16	22	22
Rpm		50Hz:295 / 60Hz:350			
Propeller (SUS304) 3 Blades x 2 pcs	CD (mm)	160	200	250	300
	Dim (mm)	A	530	530	570
B		260	260	260	350
C		150	150	150	200
I		80	80	80	100
E		40	40	40	60
F		60	60	60	100
Capacity (Liters)	Low Viscosity	620	1250	2500	5000
	Med Viscosity	200	400	600	1300
Weight	With Motor (Kg)	19.5	21.5	30	53