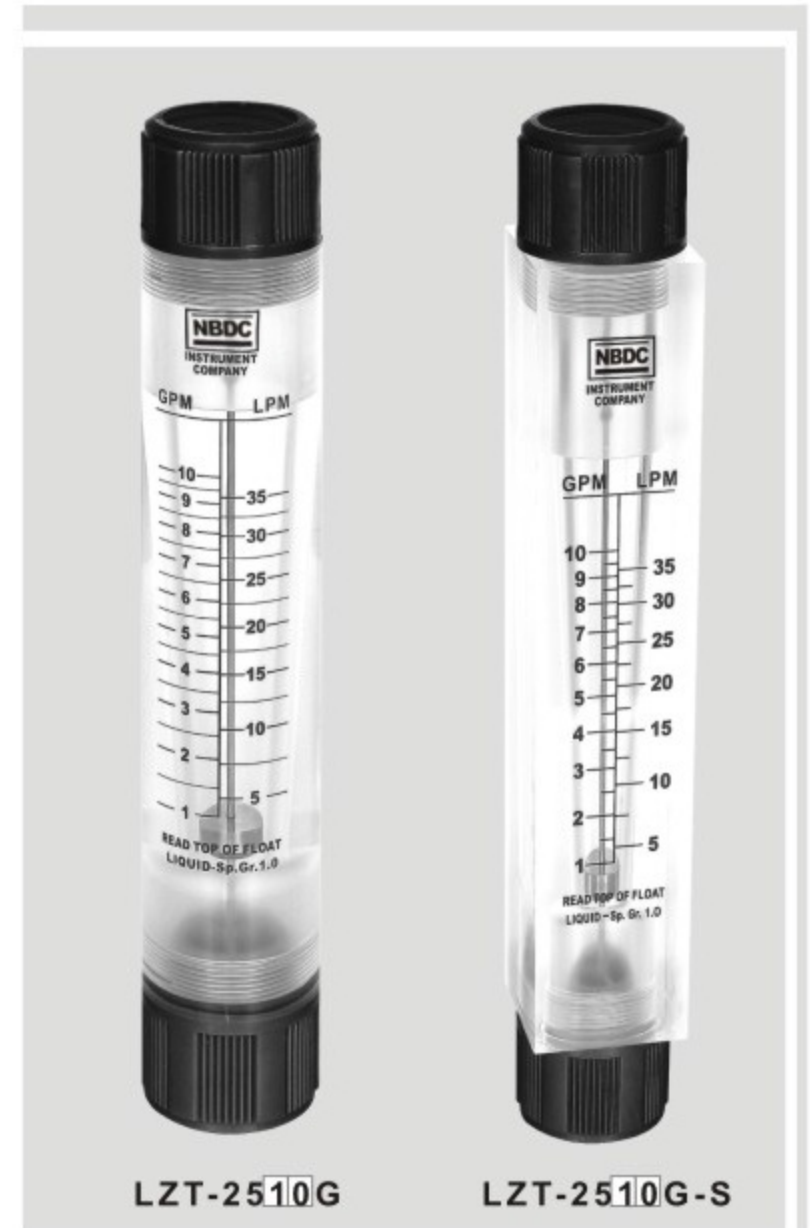


# Panel( Piping ) Type Flowmeter



## LZT-25 Series Piping type Flowmeter

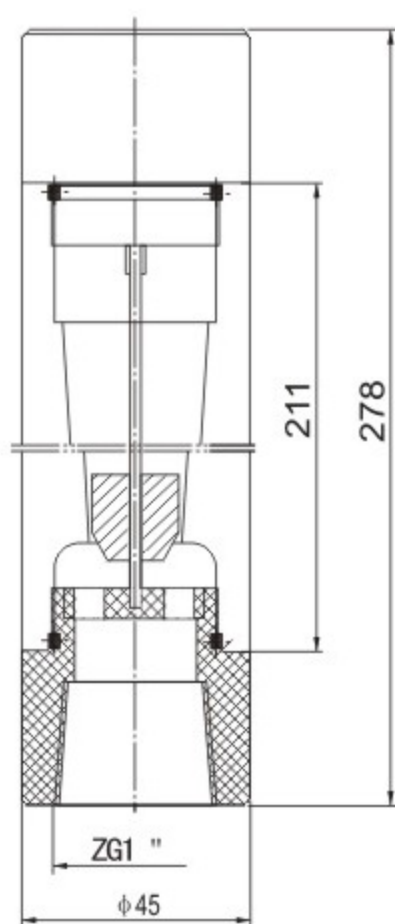
Model	Measuring range	Medium	Remarks
LZT-2510G	1~10GPM/5~35LPM	Water	Circular
LZT-2516G	2~16GPM/10~60LPM		
LZT-2520G	2~20GPM/10~70LPM		
LZT-2530G	3~30GPM/12~120LPM		
LZT-2540G	4~40GPM/15~150LPM		
LZT-2510G-S	1~10GPM/5~35LPM		Square
LZT-2516G-S	2~16GPM/10~60LPM		
LZT-2520G-S	2~20GPM/10~70LPM		
LZT-2530G-S	3~30GPM/12~120LPM		
LZT-2540G-S	4~40GPM/15~150LPM		



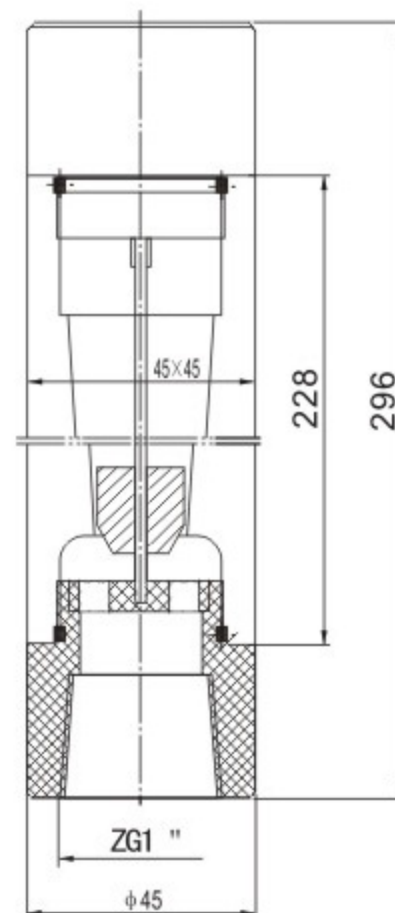
LZT-2510G

LZT-2510G-S

## Dimensions(mm)



LZT-25□□G



LZT-25□□G-S