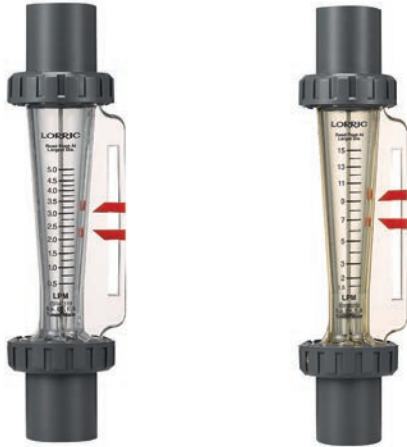


F10Series - 168mm small size pipe size 1/2" F10 series

This product will stop production by December 31st, 2018.



Product Features · Use

- Patented dual-indicator design for easy and clear flow range management.
- Laser engraved degree scales provide better readability and longer life.
- Available in customizable units, temperature, and molecular weight.
- Each batch of flow meters will be calibrated before delivery for our best precision guarantee.
- Perpendicular joint is available for space saving installation.
- Hastelloy float is available for corrosive environment.

Standard Specs

- Model: F10PC, F10PSU, F10H PSU
- Adaptor Size: 1/2"
- Applicable Fluid: Liquid
- Flow direction: From the bottom up
- Fluid Temperature: 50°C (standard)
- Working Pressure: 6.0 kg/cm² MAX
- Full Scale Accuracy: ±5% F.S.
- Product Material

Body - PC, PSU
 Float - Stainless 316, Ti, Hastelloy C
 Guide Rod - Stainless 316, Ti, Hastelloy C
 Guide Rod Bottom - PP, PSU
 Adaptor - Welding Type: UPVC
 Male, Female Thread: UPVC, PP, PVDF
 Butt-fusion Adaptor: PP
 Panel Elbow Male Thread: UPVC

- Union Nuts - UPVC, Aluminum
- O -ring - EPDM, VITON
- Adaptor Material
- Welding Type, Male Thread, Female Thread,
 Butt-fusion Adaptor, Panel Elbow Male Thread

※ BSPT is standard thread type. NPT is available for custom order.

Scale Range

Product Code	Scale Range※	Standard gravity
F10 (PC,PSU,H PSU) -2LPM	0.2-2.0 L/min	1.0
F10 (PC,PSU,H PSU) -4LPM	0.4-4.0 L/min	1.0
F10 (PC,PSU,H PSU) -5LPM	0.5-5.0 L/min	1.0
F10 (PC,PSU,H PSU) -10LPM	1.0-10 L/min	1.0
F10 (PC,PSU,H PSU) -15LPM	1.5-15 L/min	1.0
F10 (PC,PSU,H PSU) -20LPM	2.0-20 L/min	1.0

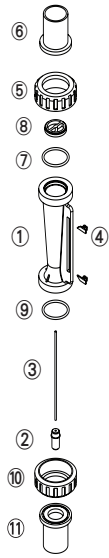
※ Liquid flow meters are calibrated for 20°C water.

Maximum working temperature for different adaptor materials

Adaptor Types	Maximum working temperature materials		
	~ 50°C	~ 60°C	~ 100°C
Welding Type	UPVC	-	-
Male / Female Thread	UPVC	PP	PSU
Butt-fusion Adaptor	PP	PP	-
Panel Elbow Male Thread	UPVC	-	-

※ When maximum working temperature is over 50°C, the material for guide rod bottom and union nuts have to be PSU and aluminium.

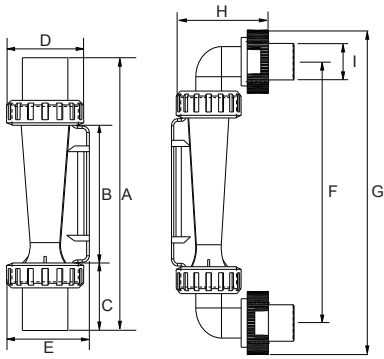
Parts Material



No.	Series	Material (Main material)*			
		1	2	3	4
1	Body	PC	PC	PSU	PSU
2	Float	S316	S316	Hastelloy C	Hastelloy C
3	Guide Rod	S316	S316	Ti	Hastelloy C
4	Pointer	ABS	ABS	ABS	ABS
5,10	Union Nuts	UPVC	UPVC	UPVC	Aluminum
6,11	Adaptor	UPVC	UPVC	UPVC	UPVC
7,9	O-ring	EPDM	VITON	VITON	VITON
8	Guide Rod Bottom	UPVC	UPVC	PSU	PSU

* Material for different parts is optional for each flowmeter.

Parts Size



Adaptor Material	A	B	C	D	E	F	G	H	I
1/2" Female Thread	163	88	37.5	41	48	-	-	-	-
1/2" Male Thread	164	88	38	41	48	-	-	-	-
1/2" JIS	166	88	39	41	48	-	-	-	-
PP OD25 ID20	166	88	39	41	48	-	-	-	-
PP OD27.65 ID18.93	168	88	40	41	48	-	-	-	-
1/2" PT Panel Elbow Male Thread	-	88	-	41	45	153	189	47	22

Unit: mm

Specification inquiry (F10)

* Contact us with below information.

- Fluid - Water Other _____
- Specific gravity - Standard-1.0 Other _____
- Pressure - Standard-6.0kg/cm² Other __ kg/cm²
- Temperature - Normal temperature Other ____ °C
- Scale Range - _____ L/min ~ _____ L/min
- Adaptor Size - 3/4" JIS Other _____
- Adaptor Material - Welding Type Male Thread
 - Female Thread Butt-fusion Adaptor
 - Panel Elbow Thread Other _____

- Material
 - 1 Body PC 2 Body PSU
 - 3 Body PSU Hastelloy C Float, Ti Guide Rod
 - 4 Body PSU Hastelloy C Float & Guide Rod Adaptor PSU (for high working temperature)
 - 5 Other
 Specs besides above listed information _____