

TOHO MIXER SERIES

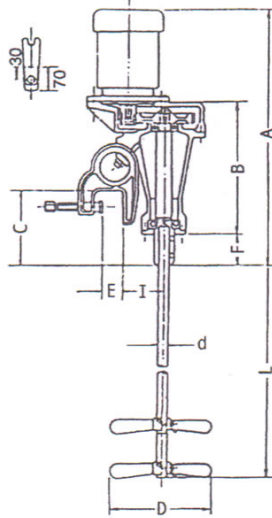
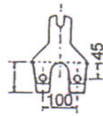
TG-10N TG-20N TG-40N TG-75N

Type TG

Type TG is most extensively used in the agitation of dilute solutions of small to large volume.

- Small size and light weight agitator with simple construction
- Can be mounted easily to the tank wall and frame with C clamp.
- Popular in pollution abatement equipment and extensively used in dissolving reactions of chemical.

Model		TG-10	TG-20	TG-40	TG-75
Motor (Weather Proof)	kW	0.1	0.2	0.3	0.75
	V	220/415	220/415	220/415	220/415
	Phase	3	3	3	3
Shaft (SUS304)	Length	800	1000	1200	1350
	CD (mm)	16	16	22	22
Propeller 3 Blades (SUS304) x 2 pcs	CD (mm)	160	200	250	300
	A (mm)	530	530	570	730
Dim	B (mm)	260	260	260	350
	C (mm)	150	150	150	200
	I (mm)	80	80	80	100
	E (mm)	40	40	40	60
	F (mm)	60	60	60	100
	G (mm)	620	1250	2500	5000
Capacity (Liters)	Low Viscosity	200	400	600	1300
	Med Viscosity				
Rpm		50 Hz: 295/60 Hz: 350			
Weight (kg) (With Motor)		19.5	21.5	30	53



Shinko Agitator
Type TG

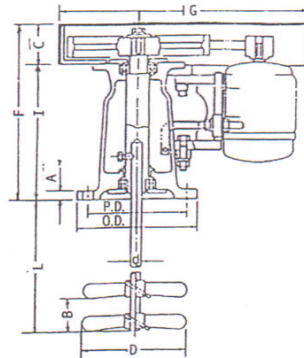


Type TV

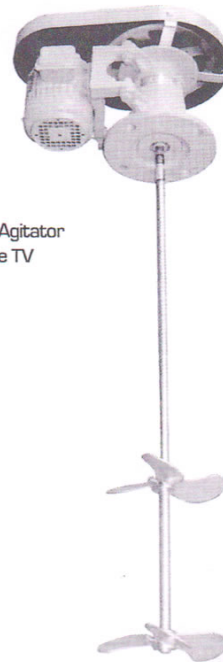
Superior noise reduction on the operating system is due to the use of V-belt speed drive.

Mounting Flange

Model	P.D.	O.D.	HOLE DIAMETER	NUMBER OF HOLE
TV - 20	170	210	19	4
TV - 40				
TV - 75				
TV - 150	290	330	22	6
TV - 220				



Shinko Agitator
Type TV



Model		TV-20	TV-40	TV-75	TV-150	TV-220
Motor	kW	0.2	0.4	0.75	1.5	2.2
	V	220/415	220/415	220/415	220/415	220/415
	Phase	3	3	3	3	3
Shaft (SHS304)	Length	1000	1200	1400	1600	1800
	CD (mm)	16	22	22	32	32
RPM		50Hz:295 60 Hz:350				
Propeller (SUS304) 3 Blades x 2	CD (mm)	200	250	300	350	400
	A (mm)	16	16	16	18	20
Dim (mm)	B	250	300	450	535	550
	C	80	85	85	100	150
	I	240	240	240	295	380
	F	320	325	325	460	510
	G	445	530	530	620	730
	L	1000	1200	1400	1600	1800
Capacity (Liters)	Low Viscosity	1000	2000	4000	8000	12000
	Med Viscosity	400	600	1300	3000	5000
Weight (kg)	With Motor	29	40	50	85	95

