

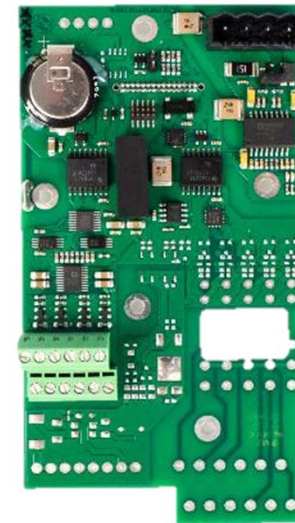
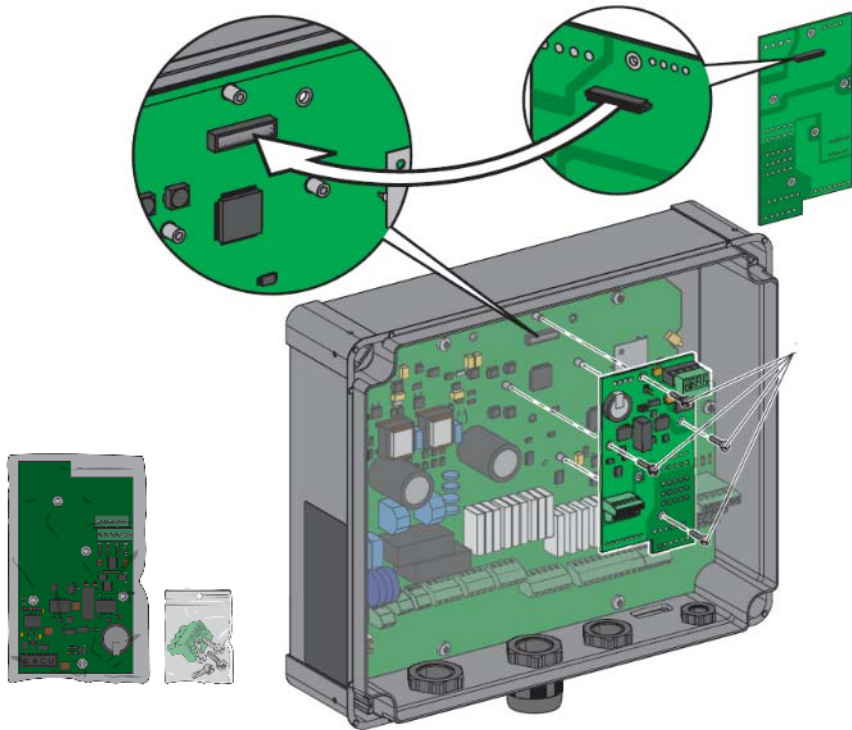


Added Features Card

Analog Input Modbus Serial Line Card

Added Features Card

Expansion to the base station



ZARCFBA01

Analog Input Modbus Serial Line Card

4 Analog Input

- 0-10V, +/-10V
- 4-20mA, 0-20mA, +/-20mA

Modbus Slave on screw terminal

Life Is On



Customer benefits

Analog values display

Prefix : 1 alphanumeric character for label indication

Suffix : 4 alphanumeric characters for units

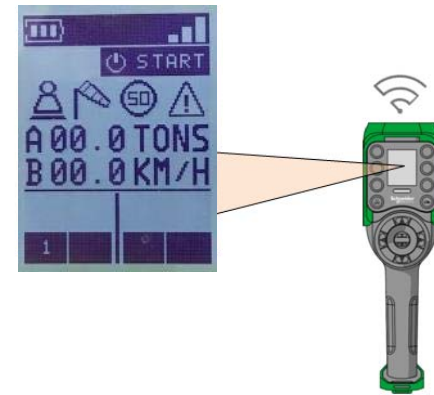
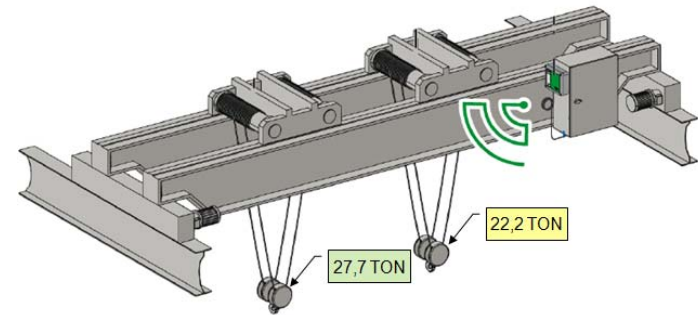
Value display format : 00.0 / 0.00 / 000 / 00

Value display input : Analog Input / Modbus

Display :

- Normal
- **Reverse**
- Blinking

Tare function : reset display to zero

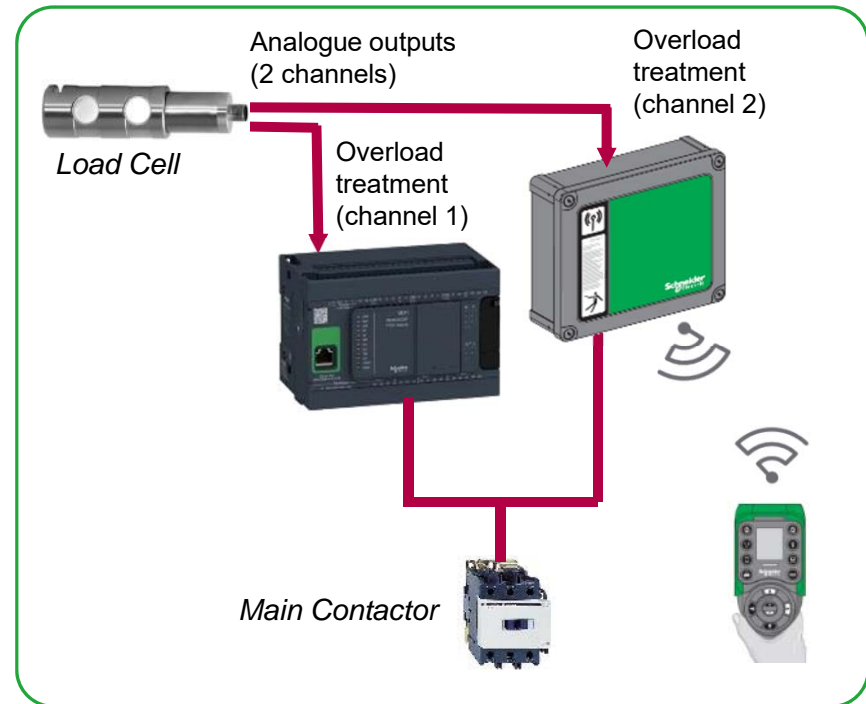


Customer benefits

Overload function

Overload function **integrated** on the system without need of external safety module

- Two channels are used to comply with the Category 3 requirement (new revision of standard EN ISO 13849-1)
- Inputs embedded on the base station can reach the safety level required (Category 2 according to standard EN ISO 13849-1)



Customer benefits

Modbus serial communication

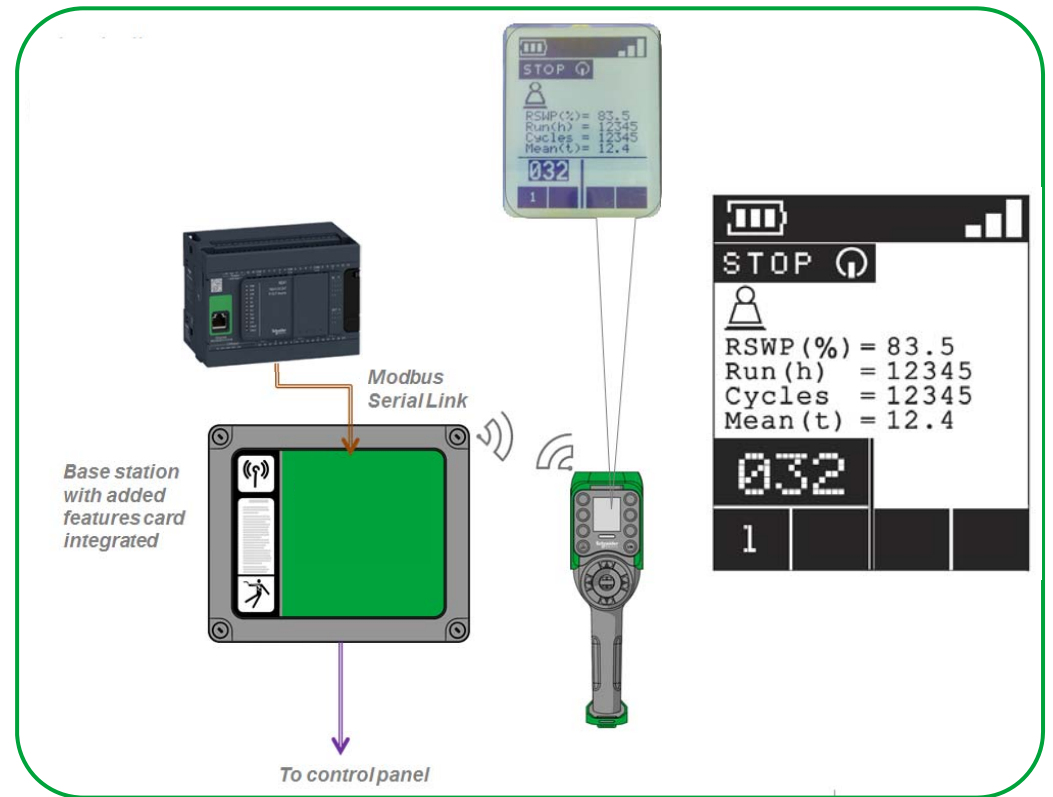
Remote device LCD display as freely configurable operator text display (max. 64 ASCII characters)

Visibility on eXLhoist status

- Button state
- System operating state, base station role

Application:

- Display alarm message, instruction to reset alarm
- Display service company contact and information
- Maintenance information
- Cartesian coordinate visualization



Life Is On

Schneider
Electric