

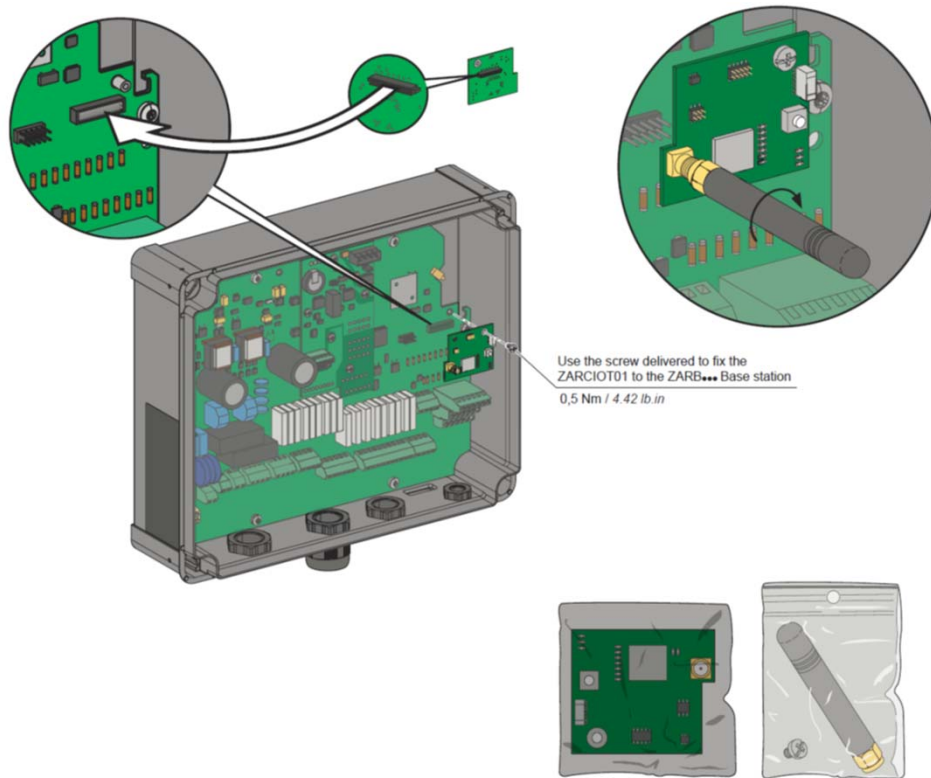


Network Communication Card

Preventive Maintenance Data Gateway

Network Communication Card

Cloud based preventive maintenance offer



ZARCIOT01

Plug and play module
2 years subscription for apps and services

Typical Maintenance Scope

Cloud based preventive maintenance offer

Cranes are required to be serviced when:

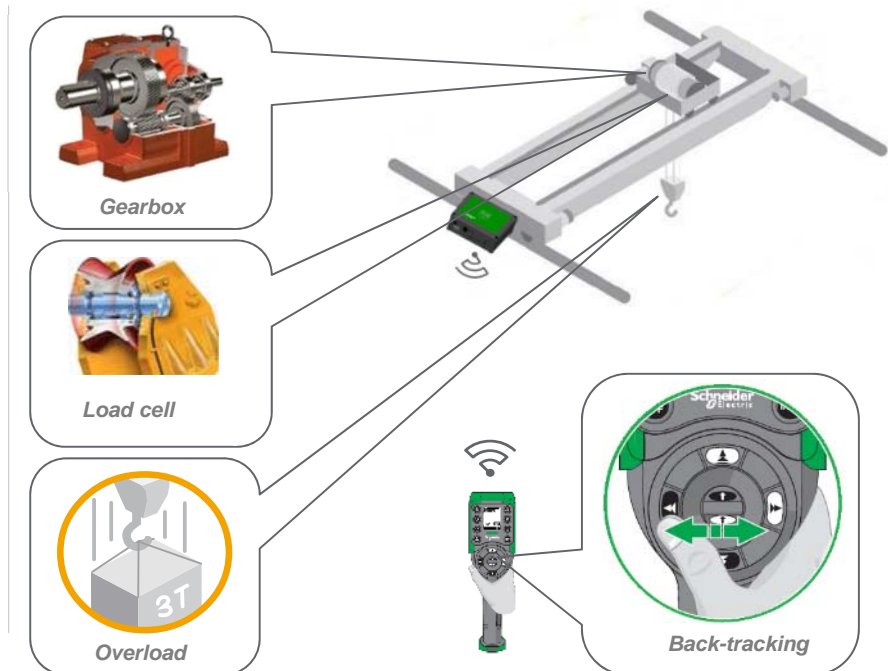
- Reaches end of its predefined working cycle (Safe Working Period)
- Breakdown
- Overload event

Electrical maintenance scope

- Visual inspection of control panel
- Parts replacement of faulty/damaged device

Mechanical maintenance scope

- Wire rope, chain
- Gearbox
- Mechanical structure
- Brake



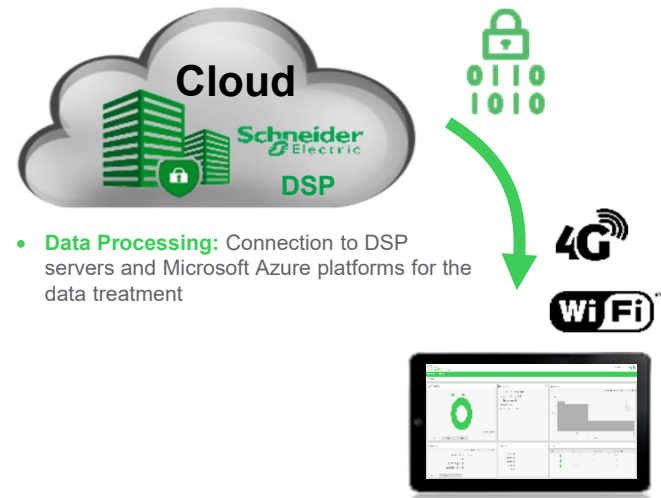
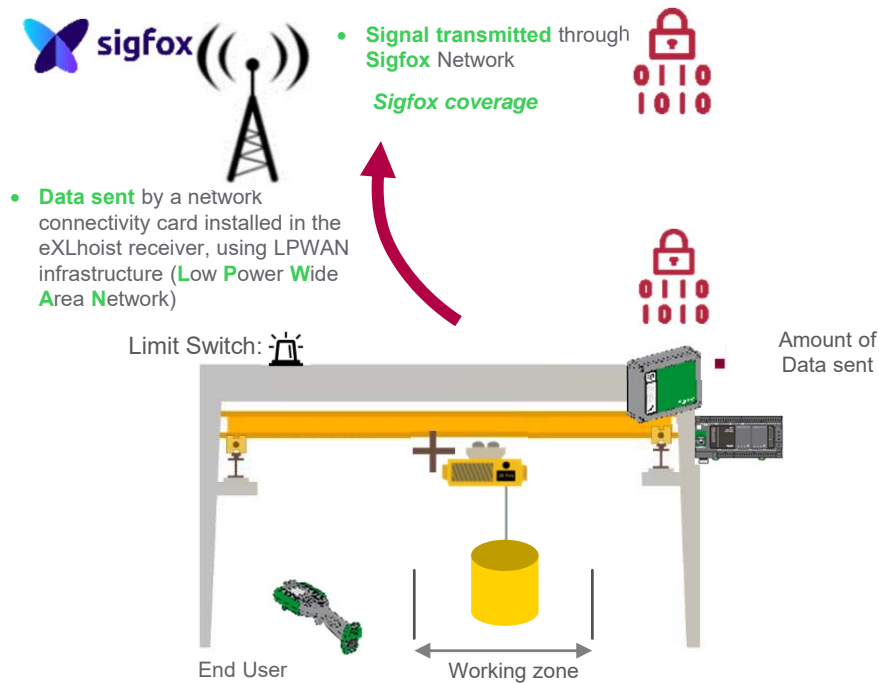
Life Is On

Schneider Electric

EcoStruxure Maintenance Advisor eXLhoist



Cloud-based preventive maintenance offer



Service Company/OEM

- **Data visualization/access:** Collection and Monitoring of operations data, Inspection and revisions alerts of Hoist (Web applications)

Offer website:

app.schneider-electric.com/ecostruxure-maintenance-advisor/eXLhoist/

EcoStruxure Maintenance Advisor eXLhoist



Cloud based preventive maintenance offer

LPWAN frequency

Usage Profile – Safe Working Period, Load Spectrum and Operations data

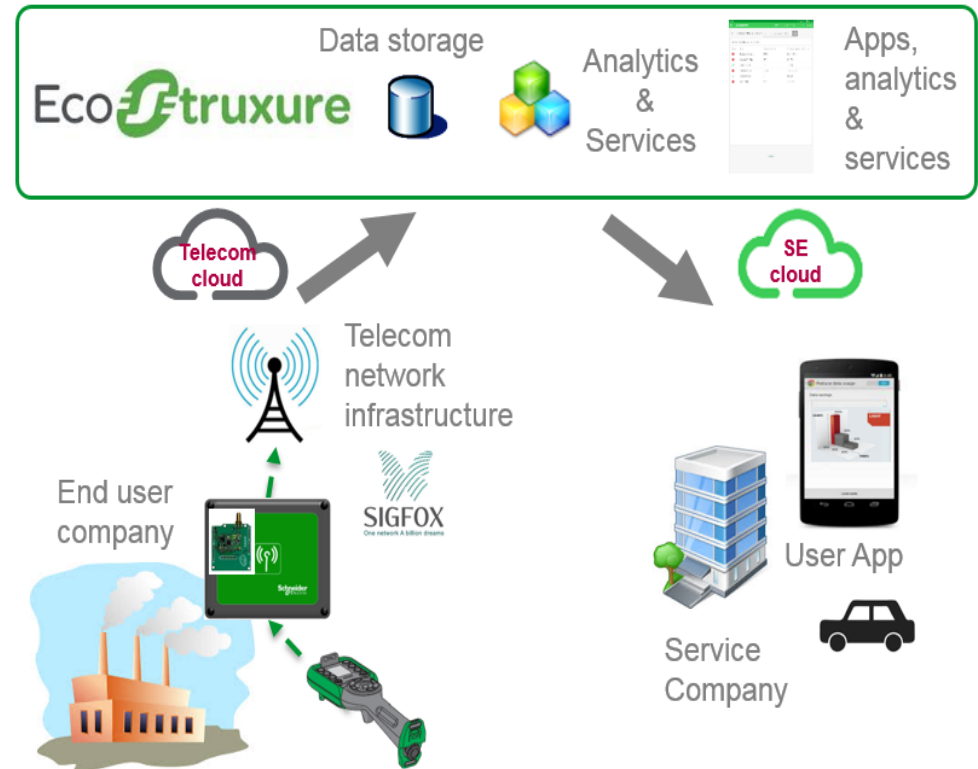
Event alerts via email and SMS notification

Extended diagnostic scope with information via Modbus connectivity

Trends analysis to enable predictive maintenance

Plug and Play installation

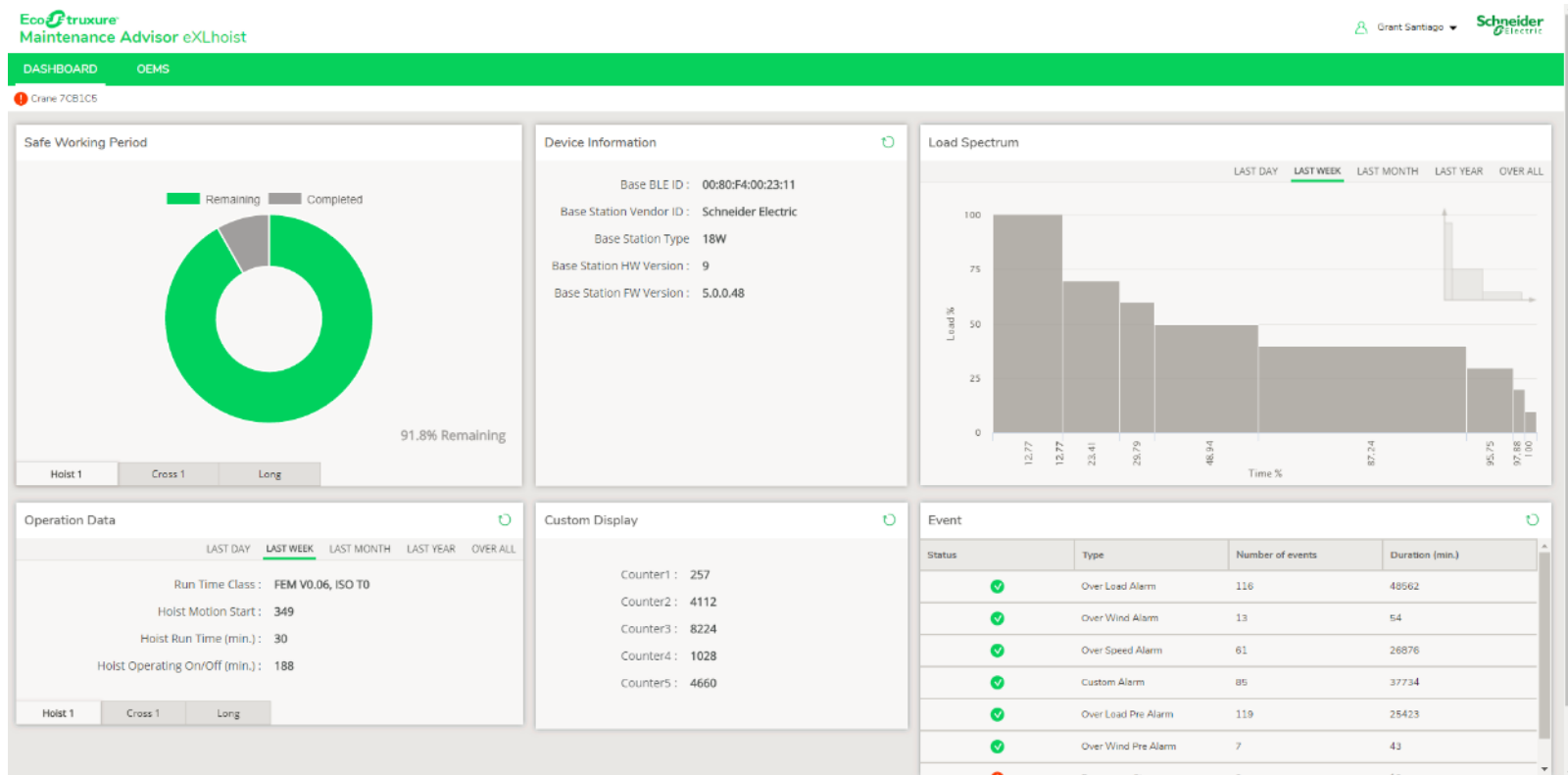
- No configuration, no cables



EcoStruxure Maintenance Advisor eXLhoist Dashboard



Cloud based preventive maintenance offer



<https://app.schneider-electric.com/ecostruxure-maintenance-advisor/exlhoist>

Life Is On



Customer benefits

Cloud based preventive maintenance offer

OEM / Service contractor

- Maintenance service planning and optimization
- Visibility on deployed assets for optimal maintenance plan
- Crane information before reaching site
- Increase after sales service coverage with existing resources
- Plug and Play installation

End User

Peace of mind

- Cranes are permanently monitored

Time stamped event log

- Incident liabilities
- Warranty/insurance coverage

Improve machines availability

- Reduce maintenance intervention cost
- Reduce maintenance disturbance

Access to the data without accessing customer's IT



Life Is On

Schneider
Electric

Life Is On

Schneider
Electric