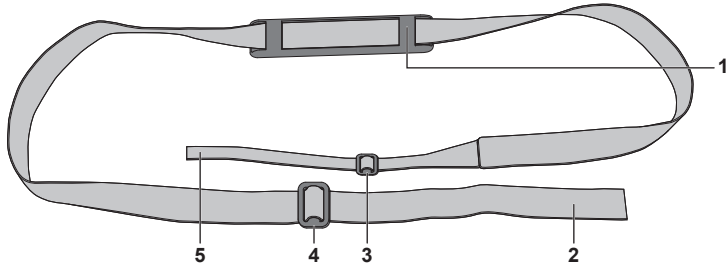
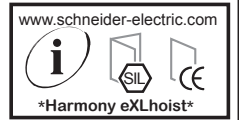




**A** Shoulder Belt



1. Shoulder protection
2. Wide end side
3. Small buckle
4. Big buckle
5. Narrow end side

**⚠ WARNING**

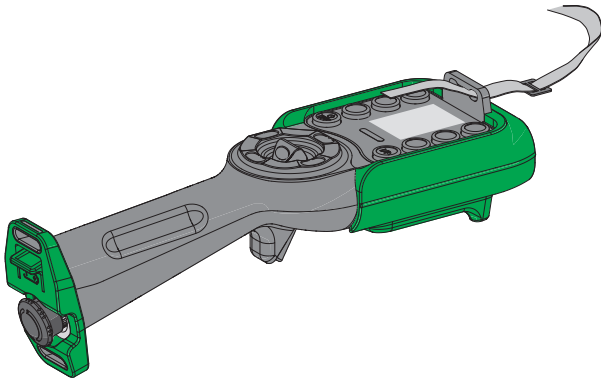
**UNINTENDED EQUIPMENT OPERATION**

- Switch OFF the remote before mounting the belt.
  - Use appropriate safety interlocks where personnel and/or equipment hazards exist.
- Failure to follow these instructions can result in death, serious injury, or equipment damage.**

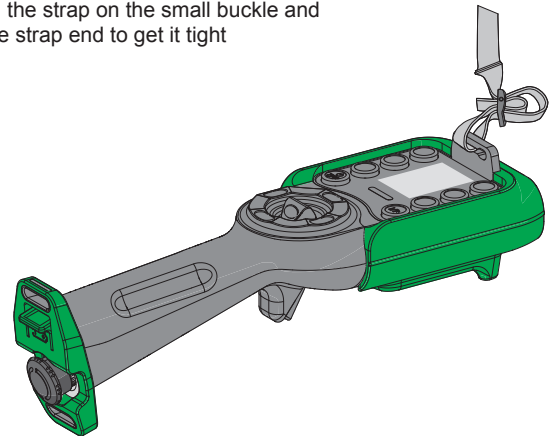
Electrical equipment should be installed, operated, serviced, and maintained only by qualified personnel. No responsibility is assumed by Schneider Electric for any consequences arising out of the use of this material.

**B** Mounting

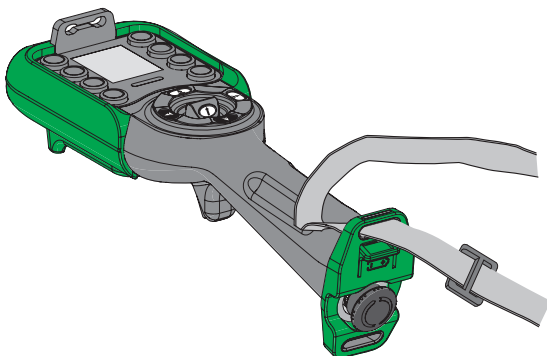
Pass the narrow end side on the remote lug



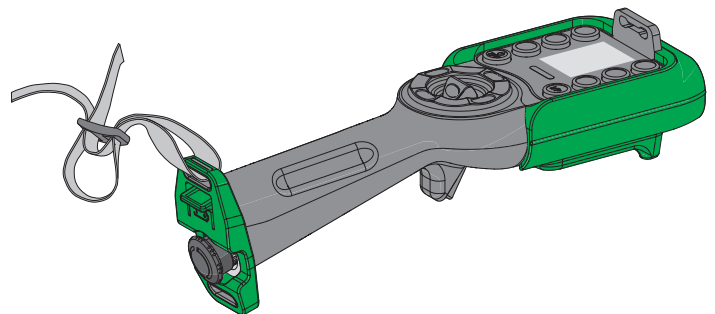
Attach the strap on the small buckle and pull the strap end to get it tight



Pass the wide end side on the remote lug



Attach the strap on the big buckle and pull the strap to get it tight





Final position on the operator

