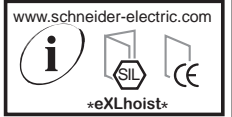
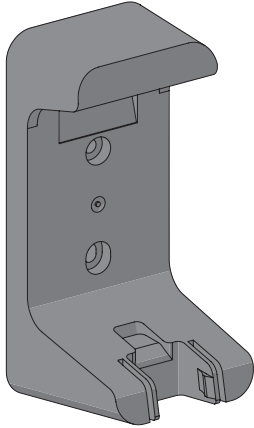




A

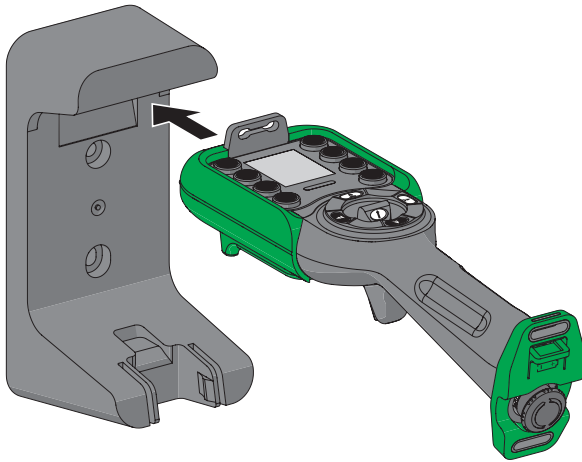
Remote Holder



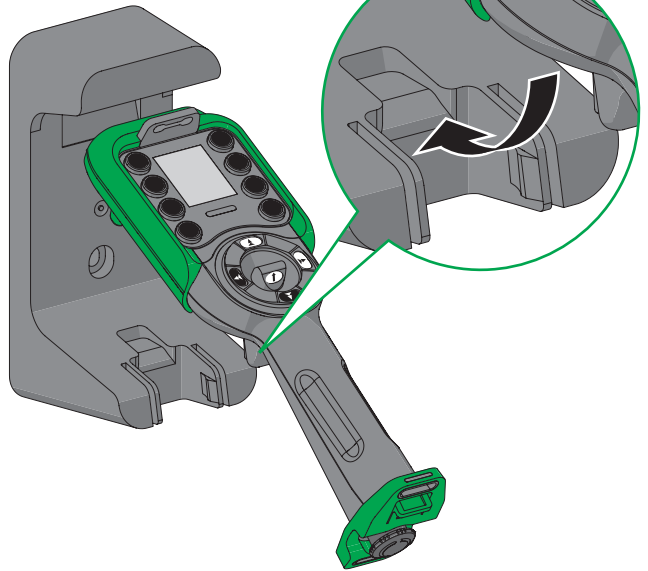
B

Mounting Steps

1



2



3

