

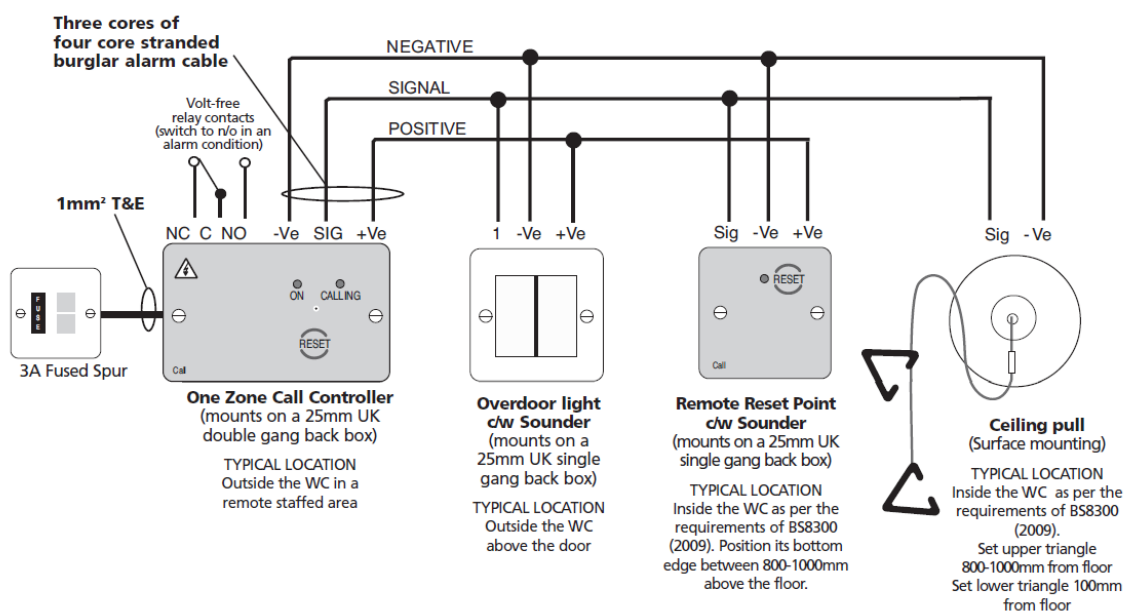
# PRODUCT INFORMATION

**Eightfold Sdn Bhd** (775128-W)  
 69-1, Jalan SS19/6, 47500 Subang Jaya,  
 Selangor Darul Ehsan, Malaysia  
 Tel: 03-5612 8169 Fax: 03-2726 8806  
 www.eightfold.com.my

## WIRED ESB901 DISABLE TOILET CALL SYSTEM

ESB901 includes everything required for a BS8300 clause (UK) compliant emergency assistance alarm (except cables & fixings). Attractively designed and simple to use, it allows a distressed person to raise an alarm in the event of an emergency.

To operate, the user simply pulls the cord of a ceiling pull unit to activate a light and sounder outside the calling room. Ideal for use in all types of disabled persons/accessible toilet applications, the ESB901 can also be used as a single zone emergency assistance alarm in changing rooms, solariums, accessible bedrooms, interview rooms, reception areas, etc.



### Features:

- Attractive compact design blends perfectly into any sort of decor
- Double gang call controller features a volt-free relay output, a rotary volume control,
- Braille text and on-board rechargeable battery backup facility
- Remote reset point c/w sounder provides audible and visual indication of an alarm call
- inside the WC to reassure users help is on the way
- Simple to install 12V system - four core stranded security cable is ideal for most installations
- Ceiling pull features two open sided triangular bangles for ease of use by the infirm

- Disabled WC sticker included in all kits
- All wall-mounting plastic accessories fit 25mm backboxes. Ceiling pull is surface mountable
- Rechargeable back-up battery provides up to 24 hrs stand-by and 15 mins alarm running time

Any enquiry please contact the following:

Jim Tan           012-8098169  
 Iza                 018-212 1373  
 Email             eightfoldsb@gmail.com