



Gondola

Y3 Display has embarked on producing extremely functional gondolas for display of fast-moving consumer goods (FMCG). Made of durable metal plates, can function with the additional of **Y3 Display** designed gondola basket to suit the needs of supermarket facilities.



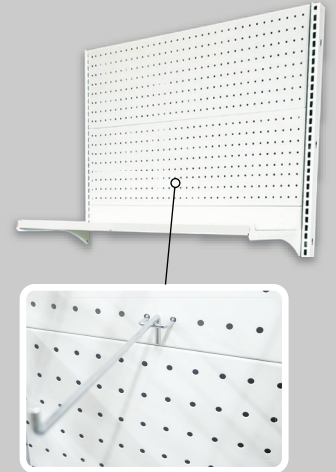
Island Gondola



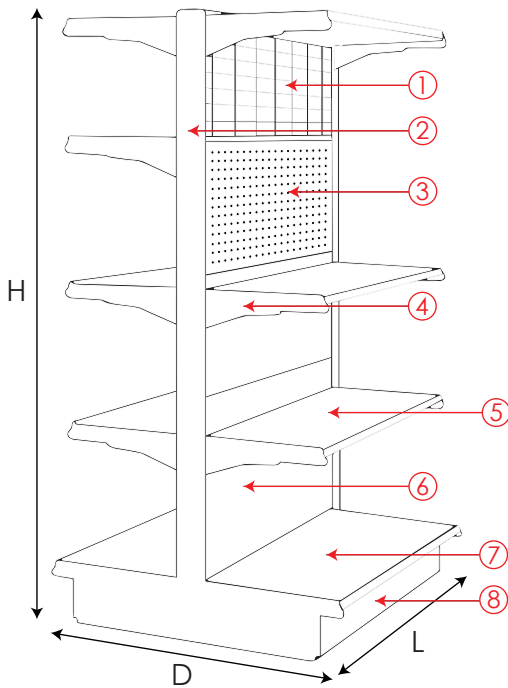
Wall Gondola



End Gondola



Perforated back plate with hanging pry hook.



- 1 | Back Netting
- 2 | Upright
- 3 | Perforated Back Plate
- 4 | Bracket
- 5 | Intermediate Shelf
- 6 | Back Panel
- 7 | Base Shelf
- 8 | Kick Plate

Length (mm)	900	1200
Depth (mm)	355 (Intermediate Shelf), 406 (Base Shelf)	
Wall Upright (mm)	1200, 1500, 1800, 2100, 2400	
Island Upright (mm)	1200, 1500, 1800, 2100, 2400	
Shelving (mm)	350	
Bottom (mm)	400	
Back Plate (mm)	250, 300	
Perforated Plate	250, 300	
Netting Back Plate	550	
Kick Plate (mm)	900	1200
Bracket (mm)	350	400
Back Cover	Metal Plate / Netting / Metal Perforated	
Decking Material	Metal Plate	
Loading Capacity (kgs)	Shelving 4' (60kgs), Shelving 3' (60kgs)	
Colour	White	