

DESCRIPTION

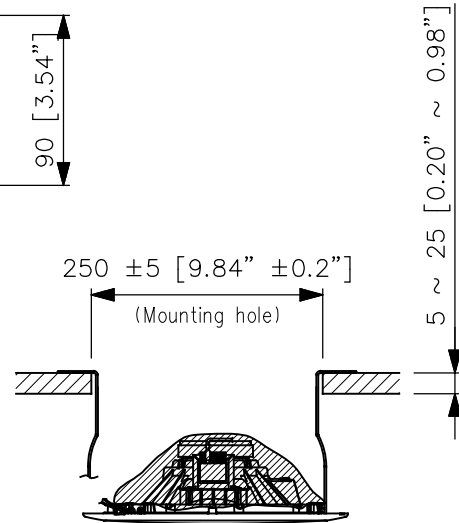
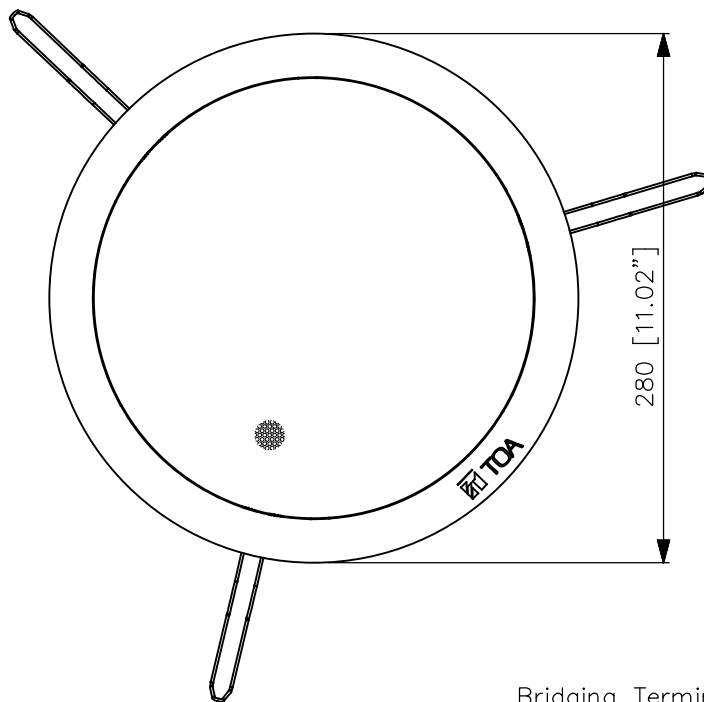
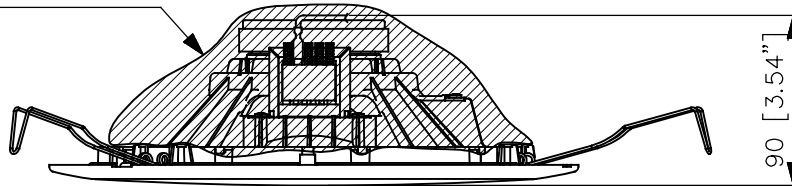
Integrated with a resin panel and speaker frame, the PC-668RC-AS is the ceiling mount speaker with a spring clamp. It features a spring clamp mechanism for easy speaker mounting to ceiling. The input impedance can be easily changed by changing the tap of the transformer. The input terminal block makes cable connection easy when bridge wiring.

SPECIFICATIONS

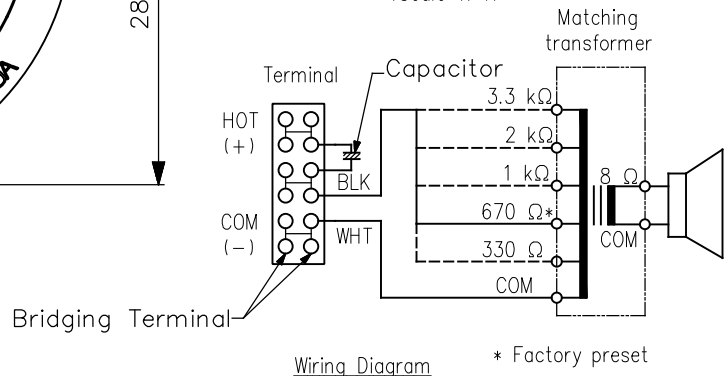
Rated Input	15 W (100 V, 70 V line)
Impedance option	100 V line: 670 Ω (15 W), 1 kΩ (10 W), 2 kΩ (5 W), 3.3 kΩ (3 W) 70 V line: 330 Ω (15 W), 670 Ω (7.5 W), 1 kΩ (5 W), 2 kΩ (2.5 W), 3.3 kΩ (1.5 W)
Sensitivity	96 dB (Pink Noise 500 Hz ~ 5,000 Hz / 1 W, 1 m)
Frequency Response	65 - 20,000 Hz (at 20 dB below peak SPL)
Speaker Component	20 cm (8") double cone type
Speaker Mounting Method	Spring clamp
Dimension for Fixing Hole	Mounting hole : $\phi 250 \pm 5$ mm ($\phi 9.84" \pm 0.2"$) Ceiling thickness : 5 ~ 25 mm (0.20" ~ 1.98")
Input Connector	Push-in connector (Bridging and branch connection possible)
Finish	Panel : Polypropylene resin, traffic - white (RAL 9016 or equivalent color) Grille : Surface - treated steel plate net, traffic - white (RAL 9016 or equivalent color), paint
Dimensions	$\phi 280 \times 90$ (D) ($11.02" \times 3.54"$)
Weight	0.97 kg (2.14 lb)
Accessories	Paper pattern1

APPEARANCE

Dust Cover



Mounting diagram
(Scale 1/4)



UNIT: mm SCALE: 1/2