



CM1400 offers 5 chimes and 2 siren tones with selectable balanced and unbalanced line output. Activation of chime shall be from front switches or via remote triggering terminal, enabling the unit to be linked to external sensors or triggering system such as alarm panel, remote mic or emergency switch. Siren has priority over chimes.

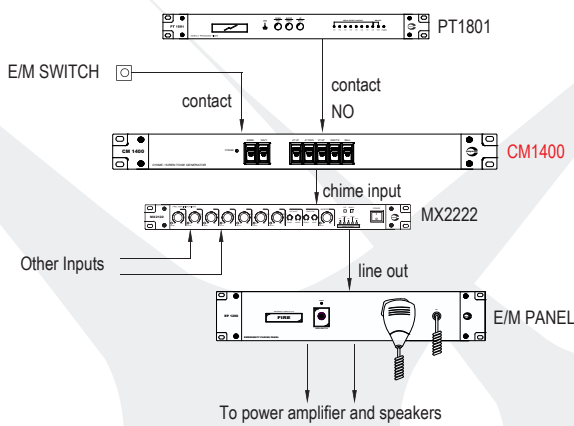
It is suitable for installation in schools, factories, hazardous areas etc.

* Customised tones available upon request.

Features

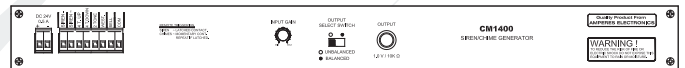
- ▶ 5 types of chimes and 2 siren
- ▶ Adjustable output volume
- ▶ Selectable output as balanced or unbalanced line
- ▶ Front panel switch activation or via remote trigger port

Application Schematic



Packing information
Qty per carton : 1 unit
L x W x H : 555 x 295 x 95 mm
Weight : 2.40 kg

Rear View:



Technical Specifications

Operating voltage	24V DC ; 0.5 A
Power consumption	0.72W
Chime type	4 tone up, 4 tone down, 2 tone Ringing bell, Westminster
Siren type	Constant siren 8 KHz Wavy siren
External activation	Dry contact
Output	Line 1V
Output impedance	10 K Ohm
Gain	+4 dB max
Dimensions (WxHxD)	482 x 44 x 180 mm
Weight	1.85 kg

TI6100 | Telephone Paging Interface

Preliminary Info



TI6100 is an interface for PABX to PA systems, allowing paging from any keyphone extension to speakers. This would eventually turn every phone extension into paging mic.

To connect the PABX, allocate an extension for TI6100, and the output from the interface shall be line audio, which is to be fed to pre-amplifier mixer while the dry contact can be used to trigger zone selector.

Application Schematic

