

## Solar Panel

**SP-18080 – 80W/18V Solar Panel**

**SP-18120 – 120W/18V Solar Panel**

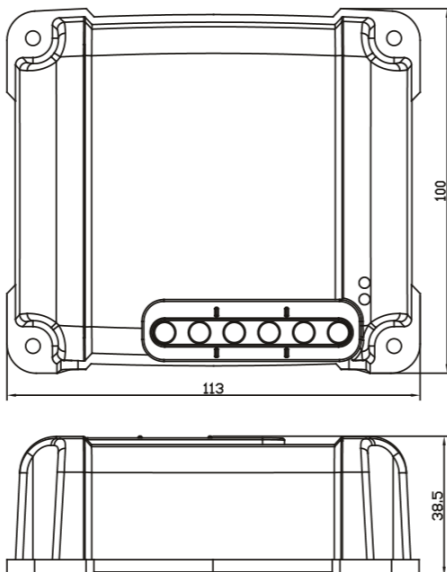


### Features

- **Mono Filament**
- **Nominal Voltage : 18VDC**
- Output cable : 3m 1.5mm<sup>2</sup> x2
- Efficiency : 21%
- Anodize Aluminum Frame – Light Weight, Strong & Durable

Model	Length (mm)	Width (mm)	Thickness (mm)	Weight (kg)
SP-18080	800	670	30	4.4
SP-18120	1170	670	35	8

## Solar Charge Controller – MPPT-10



### Features

- MPPT – 30%~50% more efficient than conventional PWM controller
- Max. Load Current : 10A
- 12/24VDC system selectable
- Max. Solar Panel Input : 135W / 75V
- Max. Efficiency : 98%
- Self Consumption : 10mA
- Low Voltage Load Disconnect / Reconnect
- Operating Temperature : -30~60°C
- Humidity : 95% non condensing
- 100x113x38.5mm, 0.35kg