

ZS5601 and 5121 are trusted product for speaker zone selection which had been used for more than a decade.

They provide direct zone switching for single source PA setup via front panel switches or through remote port connected to Amperes PM Series paging desk, or through Amperes TD decoders when PD series of paging desks are used. Other made of paging consoles are compatible with ZS provided they have negative triggering switching ports.

A distinctive feature shall be the remote override function which bypasses local zone selection whenever a paging mic connected to it is activated. The individual input and output connections make it flexible for amp-zone configurations as well as for matrix setup.

**ZS5601**  
6 Ch Speaker Zone Selector



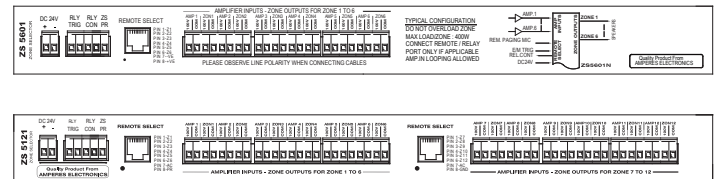
**ZS5121**  
12 Ch Speaker Zone Selector



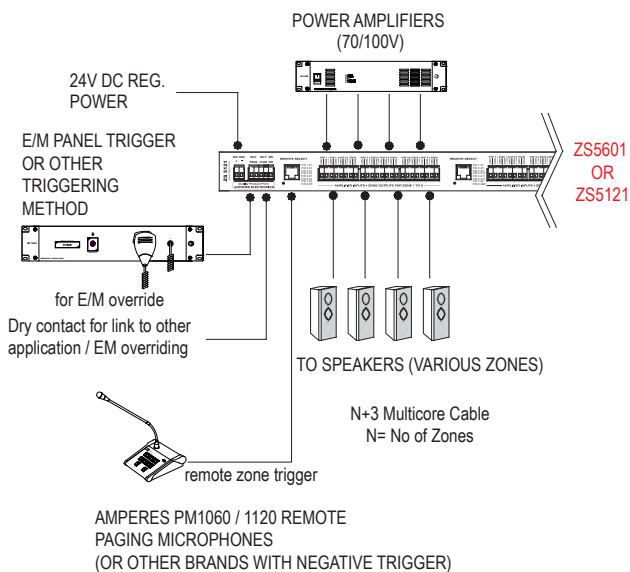
**Features**

- ▶ Available in 6 (ZS5601) and 12 zone (ZS5121) respectively with ALL CALL
- ▶ Expandable to more zones as required
- ▶ Remote zone triggering port via external paging microphone or console
- ▶ Paging override by Amperes paging console with Priority override indicator
- ▶ Emergency paging mic triggering port with dry contact for volume controller overriding application
- ▶ Flexible amplifier to zone configuration

Rear View:



**Application Schematic**



**Technical Specifications**

	ZS5601	ZS5121
Operating voltage	24V DC adaptor	
Power consumption	3.5W, 0.14A w All Call	6.8W, 0.28A w All Call
Max load / channel	500W at 100V line	
Number of zones	6	12
Amplifier inputs	6	12
Zone selection	Front panel switch and remote	
Cascade limitation	Unlimited	
Remote triggering	-ve triggered (common ground)	
Indicators	Individual zone switch, Priority	
Switching mode	Individual, All Call Local zone selection bypassed when remote trigger is activated	
Dimensions (W x H x D)	482 x 44 x 180 mm	
Weight	1.95 kg	2.10 kg

**Packing information**  
 Carton : 555 (L) x 295 (W) x 95 (H) mm  
 Weight : ZS5601 : 2.55 kg  
 : ZS5121 : 2.70 kg  
 Qty : 1 unit / carton