



Vertiv™ Liebert®

GXT5 UPS

750 VA to 3 kVA

Intelligent, Versatile, and
Reliable Power Protection for
Your Critical Applications



The Vertiv™ Liebert® GXT5 UPS is an online double conversion UPS solution which offers premium power outage protection and continuous power conditioning in a compact and flexible deployment system.

The Liebert® GXT5 is a single phase UPS built on the super reliable platform of Liebert GXT series—supporting over a million critical systems all over the world.

With market leading efficiency and unity power factor operation, the Liebert GXT5 will fill your critical application needs for both centralized and edge network applications.

Scalable runtime options with matching external battery cabinets offer additional flexibility when extended uninterrupted power is required. User friendly LCD interface as well as full network management capability, including configuration and remote updates, make this system easy to deploy and simple to maintain.

Sleep well knowing your business is protected by the premium products from Vertiv.

Ideally suited for:

- Edge applications
- Network workstations
- Web and application servers
- Network closets
- Large network peripherals
- VoIP



Key Features

- Available in 750 VA/1/1.5/2/3 kVA ratings
- Top-level on-line double conversion UPS for mission-critical applications
- Unity output power factor
- LCD multi-language color display (gravity sensing)
- On-line (VFI) mode efficiency up to 94% at full load
- Active ECO mode efficiency up to 98%
- Energy Star® 2.0 certified
- Controllable and programmable output sockets
- Integrated solution with batteries and electronics
- External battery cabinets auto-detection
- Operates at full power up to 40 °C (up to 50 °C with derating)
- Intelligent Communication ready
- Safety Agency Approved Category B IEC 61000-4-5 Surges/Lightning protection capability)

Vertiv™ Liebert® GXT5 Highlights

Unity power factor (PF=1.0)



More active power available so more loads can be connected versus lower power factor systems thus saving space and cost.

High efficiency up to 94% in on-line mode



Higher efficiency means optimized energy management and lower heat dissipation, thus providing energy and cost savings.

Even high efficiency up to 98% in Active ECO mode



Superior protection with maximum efficiency.

Colored graphic LCD display with gravity orientation



User friendly interface to know UPS status and configuration.

Rack / Tower design with short depth and flexible to install



A more compact UPS that will use less floor space, and leaves more space available for data equipment in a rack.

Battery cabinets with auto-detection*



Be confident your UPS is set up correctly to report available run time when used with external battery cabinets.

Intelligent Battery Management



New algorithm to estimate Battery health status and replacement date prediction.



Liebert GXT5 is Powered by All New RDU101

The Powerful Future-ready Communication Tool



- Provides web access to the installed devices via popular web browsers - IE12 and later, Mozilla Firefox, Google Chrome and Safari.
- Provides alarm notifications via, SNMP, email and text messaging.
- Supports environmental monitoring via Liebert SN Sensors for temperature, humidity, leak detection, doors and contact closures.
- Supports third-party protocols for building and network management applications for status and alarms (SNMP only).
- Enables Vertiv software tools and services, including *Trellis™* Enterprise, *Trellis™* Power Insight and Vertiv™ LIFE™ Service.
- Provides a direct, high-speed USB connection to managed devices for firmware and configuration updates.
- HTTPS messages and web access encryption with installable customer provided certificates.
- Options for SNMP v3 authentication support (none, MD5 or SHA), privacy support (none, DES or AES) and Traps.



While today's smaller, rack-based UPS systems offer relatively trouble-free operation, the growing criticality of the systems they support has increased the cost of downtime. As a result, the need to maintain these smaller UPS systems is increasingly important.

Warranty

Liebert GXT5 comes with three years of standard warranty and an option for one or two-years warranty extension.

Start-up

Hassle-free multi-site deployment management and offers convenience in the disposal of hazardous materials of existing UPS, when applicable.

Preventive maintenance

To increase equipment reliability thus higher availability.

On-site service

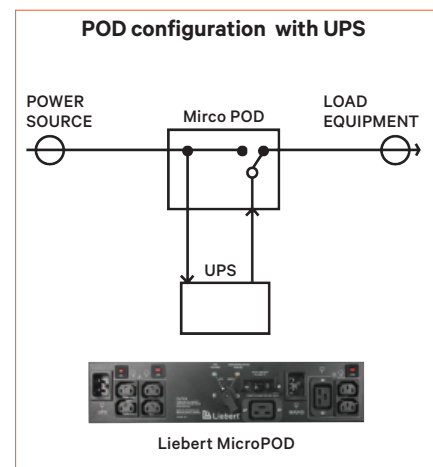
Should you experience a problem, we will dispatch a Vertiv Certified Customer Engineer to repair or replace your equipment, response guaranteed.

Higher uptime with optional POD configuration

When your computer system can not be without power, even for scheduled UPS maintenance, the Liebert MicroPOD Maintenance Bypass and Output Distribution Unit ensures continuous uptime. It allows you to manually transfer connected equipment to utility power via a maintenance bypass switch, permitting scheduled service or UPS replacement without the need to shut down connected equipment.

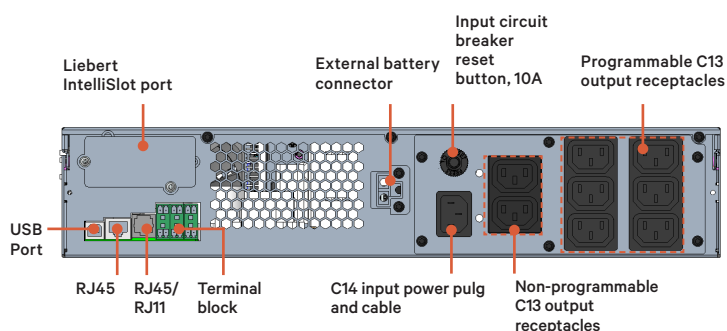
Features include:

- 2U height minimizes rack space requirements
- Easy plug-and-play installation

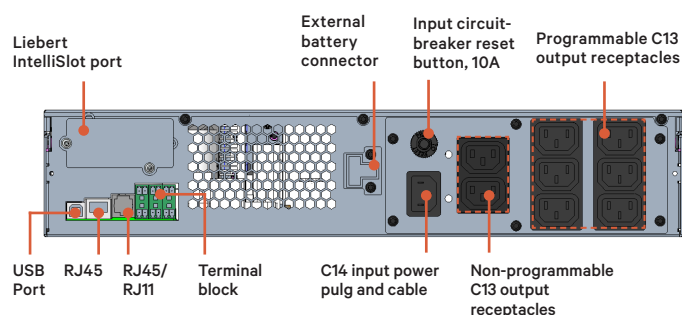


UPS Rear Ranel

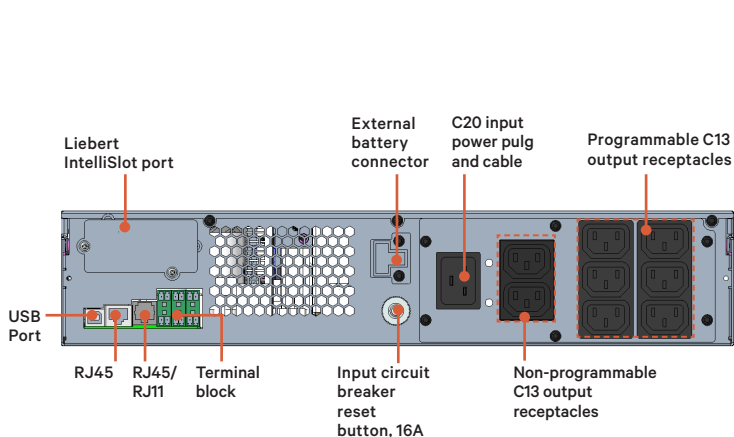
GXT5-750/1000IRT2UXL



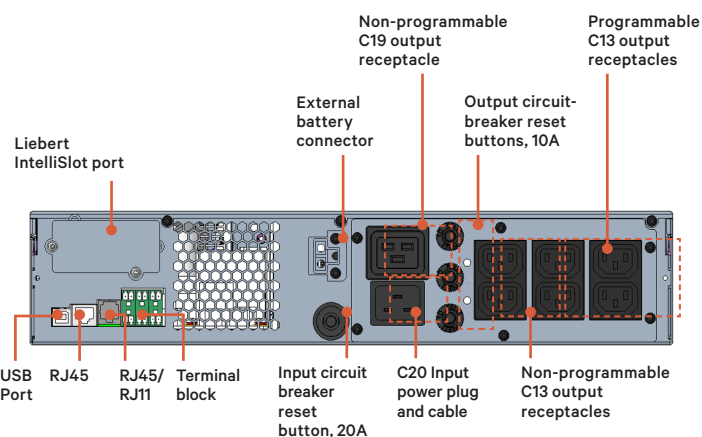
GXT5-1500IRT2UXL



GXT5-2000IRT2UXL



GXT5-3000IRT2UXL



Battery Run Times

750 VA Models

No. of EBCs	Backup Time (Min)									
	750 W	675 W	600 W	525 W	450 W	375 W	300 W	225 W	150 W	75 W
UPS	10.5	12.1	14.1	16.7	20.4	25.7	33.7	44.1	68.0	135.4
UPS+1 EBC	46.3	53.0	59.7	72.0	84.8	103.2	127.1	163.7	229.0	444.1
UPS+2 EBC	88.3	99.5	112.1	128.2	149.0	178.9	218.3	281.7	401.4	770.8
UPS+3 EBC	130.2	143.9	161.6	183.8	212.4	255.9	316.1	407.9	581.6	1123.4
UPS+4 EBC	170.8	188.3	208.6	238.8	280.7	337.1	416.5	537.8	760.5	1452.2
UPS+5 EBC	208.8	232.1	260.6	298.1	350.0	420.2	519.9	663.9	952.0	1695.4
UPS+6 EBC	251.5	278.8	313.2	358.3	420.3	505.5	620.3	800.6	1147.8	1863.8

1000 VA Models

No. of EBCs	Backup Time (Min)									
	1000 W	900 W	800 W	700 W	600 W	500 W	400 W	300 W	200 W	100 W
UPS	6.8	8.1	9.6	11.5	14.1	17.8	23.8	33.7	50.1	101.8
UPS+1 EBC	33.3	38.2	43.3	50.7	59.7	76.3	95.8	127.1	179.8	332.7
UPS+2 EBC	62.8	73.0	83.4	95.3	112.1	135.1	168.9	218.3	311.9	584.9
UPS+3 EBC	94.6	107.4	120.8	139.4	161.6	193.0	239.3	316.1	453.2	841.2
UPS+4 EBC	125.7	141.0	160.1	181.7	208.6	251.8	316.4	416.5	595.8	1114.7
UPS+5 EBC	156.3	174.8	197.6	224.1	260.6	314.0	394.3	519.9	736.7	1373.2
UPS+6 EBC	187.0	206.9	235.3	268.6	313.2	377.3	474.5	620.3	888.2	1590.9

1500 VA Models

No. of EBCs	Backup Time (Min)									
	1500 W	1350 W	1200 W	1050 W	900 W	750 W	600 W	450 W	300 W	150 W
UPS	5.6	6.7	8.2	10.1	12.7	16.3	22.2	32.7	52.8	107.3
UPS+1 EBC	28.2	32.7	38.6	44.5	55.1	70.2	89.2	123.9	187.9	350.3
UPS+2 EBC	54.3	61.7	73.8	85.9	103.5	125.3	159.1	213.1	325.3	612.3
UPS+3 EBC	83.4	93.2	108.4	125.6	148.3	179.9	226.4	309.0	472.1	885.6
UPS+4 EBC	111.2	124.1	142.3	165.6	194.8	234.5	297.8	407.6	618.0	1173.2
UPS+5 EBC	138.5	154.3	176.3	203.4	239.7	292.4	371.9	508.2	769.6	1436.2
UPS+6 EBC	165.8	184.8	208.4	243.0	289.0	351.5	448.5	609.2	927.7	1644.5

2000 VA Models

No. of EBCs	Backup Time (Min)									
	2000 W	1800 W	1600 W	1400 W	1200 W	1000 W	800 W	600 W	400 W	200 W
UPS	3.2	4.0	5.0	6.3	8.2	10.7	14.8	21.8	36.2	78.5
UPS+1 EBC	18.8	22.0	25.9	31.0	38.5	47.1	63.1	88.2	134.8	258.8
UPS+2 EBC	38.1	42.9	50.1	58.9	73.5	89.2	115.9	156.6	231.0	455.3
UPS+3 EBC	57.1	66.5	78.1	89.2	108.1	131.9	167.7	223.1	334.0	650.5
UPS+4 EBC	79.8	88.9	103.9	119.1	141.9	172.7	216.8	293.8	442.2	861.7
UPS+5 EBC	99.9	113.0	129.3	148.5	175.8	211.1	269.8	366.4	550.0	1078.7
UPS+6 EBC	119.3	136.0	154.3	178.3	208.0	254.6	324.8	441.9	653.9	1289.4

3000 VA Models

No. of EBCs	Backup Time (Min)									
	3000 W	2700 W	2400 W	2100 W	1800 W	1500 W	1200 W	900 W	600 W	300 W
UPS	3.3	4.1	5.1	6.4	8.3	10.8	14.9	21.9	36.7	78.9
UPS+1 EBC	19.1	22.4	26.2	31.4	38.8	47.5	63.3	88.4	136.3	260.2
UPS+2 EBC	38.7	43.3	50.6	59.4	74.2	89.6	116.1	157.2	233.3	457.8
UPS+3 EBC	57.9	67.6	78.7	89.8	109.0	132.6	168.0	223.8	337.8	654.1
UPS+4 EBC	80.9	89.7	104.8	119.9	143.0	173.6	217.3	294.7	447.1	866.5
UPS+5 EBC	101.6	114.2	130.4	149.5	177.1	212.5	270.3	367.6	556.0	1084.9
UPS+6 EBC	121.1	137.5	155.7	179.5	209.4	256.0	325.4	443.3	660.9	1296.1

* Auto-detection of up to 6 external battery cabinets (EBC) but supports EBCs up to 10 numbers.

Technical Specifications

Model Number	GXT5-750IRT2UXL	GXT5-1000IRT2UXL	GXT5-1500IRT2UXL	GXT5-2000IRT2UXL	GXT5-3000IRT2UXL
Ratings (VA/W)	750 VA / 750 W	1000 VA / 1000 W	1500 VA / 1500 W	2000 VA / 2000 W	3000 VA / 3000W
Dimensions and Weight					
Dimensions (mm) Unit, D×W×H	400×430×85		470×430×85		540×430×85
Unit Weight (kg)	16.5		21		28.2
Input					
Rated Voltage	230 VAC				
Rated Frequency	50 Hz / 60 Hz				
Frequency Range	40 to 70 Hz				
Power Factor	≥0.99				
Input Power Cord	C14			C20	
Output					
Nominal Voltage	200/208/220/230/240 VAC				
Waveform	Sine wave				
Inverter Overload Capability	>200% minimum 250 ms, 150 to 200% for 2 seconds; 125 to 150% for 50 seconds; 105 to 125% for 60 seconds			>200% minimum 250 ms, 150 to 200% for 2 seconds; 105 to 150% for 55 seconds;	
Efficiency in Online Mode	Up to 93%			Up to 94%	
Active Eco Mode	Up to 98%				
Output Receptacles	(8) EN60320/C13			(6) EN60320/C13; (1) EN60320/C19	
Internal Battery					
Rated Voltage	36 Vdc		48 Vdc		72 Vdc
Charger Current	Nominal 2.2 A; Maximum 8 A				
Type	Valve-regulated, non-spillable, lead acid				
Qty x V x Rating	3 x 12 V x 9.0 Ah		4 x 12 V x 9.0 Ah		6 x 12 V x 9.0 Ah
End Cell Voltage	1.67 V/cell (discharge voltage per cell will be from 1.67 Vdc to 1.90 Vdc, can be selected by PARAMSET)				
Floating Voltage	Equalize charge: 2.35 V/cell; Float charge: 2.27 V/cell				
Battery Voltage Range	30 Vdc to 42.3 Vdc		40 Vdc to 56.4 Vdc		60 Vdc to 84.6 Vdc
General					
Operating Temperature, °C	Full power up to 40 °C (up to 50 °C with derating)				
Storage Temperature, °C	-20 to 60 (contain batteries will be from -15 to 40 °C)				
Relative Humidity	0 to 95% non-condensing				
Operating Elevation	Up to 3,000 m at 25°C without derating				
Audible Noise	<46 dBA max @ 3 ft. (1 m) front and sides <43 dBA max @ 3 ft. (1 m) rear		<46 dBA max @ 3ft. (1 m) front and sides <45 dBA max @ 3 ft. (1 m) rear		<48 dBA max @ 3ft. (1m) front and sides <48 dBA max @ 3 ft. (1 m) rear
Safety	UL-1778 (Fifth Edition), C-UL listed, IEC 62040-1: 2008 (First Edition) + Am 1:2013, EN 62040-1:2008+A1:2013				
RFI/EMI	CISPR22 Class A (RFI)/ FCC Part 15 (Class A)				
Transportation	ISTA Procedure 1A				
Surge Immunity	ANSI C62.41 Category B				

Note: *Specification are subject to change without any further notification

**Battery autonomy times are based on operation at 25°C. The autonomy times are approximate and are based on fully charged batteries and can vary +/-5% because of battery manufacturing variances.

