

DS-TCG2A5-B ANPR Camera



Entrance & Exit Product

2 MP

CMOS

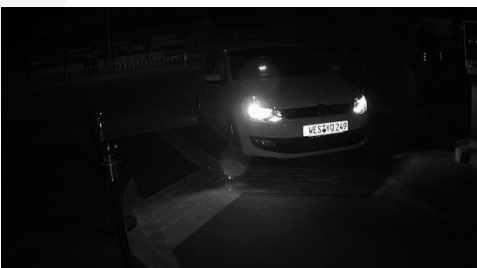
ANPR

IR

VF

Relays

Low
Illumination



Introduction

DS-TCG2A5-B series camera, based on deep learning, consists of protective cover, lens, camera, LED, and power supply. It offers HD progressive scan CMOS, and integrates intelligent recognition algorithms for specific applications such as entrance management, road safety enforcement, in-vehicle monitoring, parking lot control, etc.

Key Feature

- 1/2.8" progressive scan CMOS.
- Up to 1920 × 1200 resolution with real-time video.
- 2 built-in high-performance IR and white light switchable LEDs to satisfy requirements of different scenarios.
- 2.8 to 12 mm motorized vari-focal lens to recognize 2.5 to 15 m range.
- Supports relay output to control barrier gate.
- Supports multiple trigger modes, such as video detection, I/O coil, radar mixed traffic, etc.
- Supports multi-frame LPR.
- Supports dirty license plate recognition.
- Supports quick pass of multiple vehicles.
- Supports vehicle color recognition.
- Integrated lights and TF card (up to 128 GB).
- Supports up to 30,000 vehicles in whitelist and blacklist totally.
- Even when the camera is offline, the built-in whitelist can control the barrier gate to open.
- When the license plates of vehicles in the blacklist are recognized, the barrier gate will not open.
- PoE (802.3af).
- One-touch focus.
- Manual capture and ANPR.
- The boom pole of the barrier gate can keep rising in vehicle queue scenario to solve the congestion.
- High capture rate of larger than 99.5% when the vehicle speed is within 60 km/h (included).



Typical Application

Multi-Frame LPR

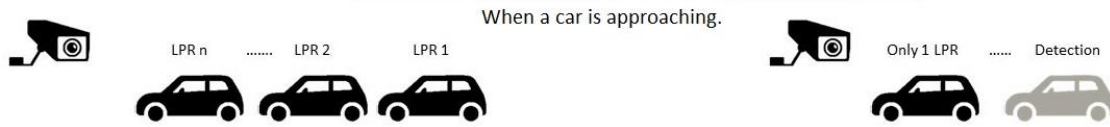


Multi-Frame LPR

VS



One-Frame LPR



Comparison to guarantee the best result.

- High Accuracy



Quick Pass of Multiple Cars

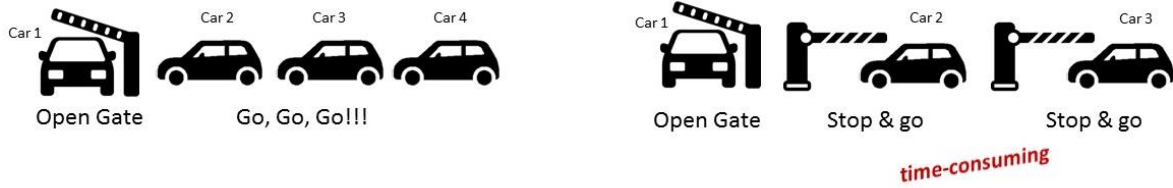


Free-flow

VS



Stop & Go, one by one



- More efficient and Lower the risk of car damage

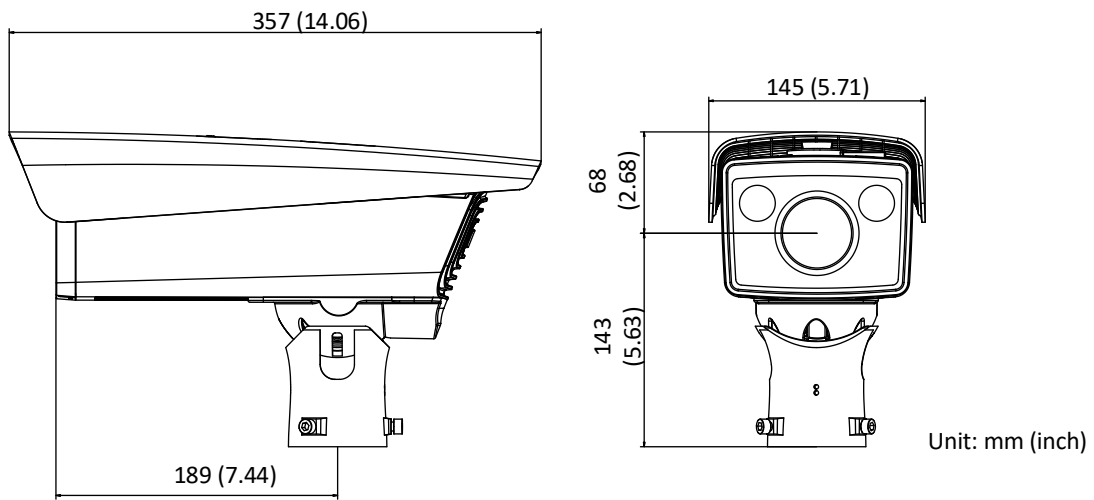


Specification

Model		DS-TCG2A5-B
Camera	Image Sensor	1/2.8" Progressive Scan CMOS
	Min. Illumination	Color: 0.002 Lux@(F1.5, AGC ON) B/W: 0.0002 Lux@(F1.5, AGC ON)
	Shutter Speed	1/30 s to 1/100,000 s
	Lens	2.8 mm to 12 mm
	Auto Iris	DC drive
	IR Cut Filter	Supported
Compression Standard	Video Compression	H.265, H.264, MJPEG
	Vieo Bit Rate	32 Kbps to 16 Mbps
Image	Image Format	JPEG
	Max. Resolution	1920 × 1200
	Frame Rate	25 fps (P)/30 fps (N)
	Image Settings	Saturation: 0 to 100 Brightness: 0 to 100 Contrast: 0 to 100 Gain: 0 to 100 3D DNR: Off, Normal, and Expert modes are selectable. White balance: White Balance 1 and White Balance 2 are selectable.
Capture	Picture Format	JPEG with configurable quality
	Smart Recognition	ANPR, vehicle color recognition
	Supplement Light Control	Auto light control/time control
	Whitelist and Blacklist	Up to 30,000 vehicles in whitelist and blacklist totally Note: Only when the TF card is available, can the function take effect.
Network	Storage	SD/SDHC
	Protocol	TCP/IP, HTTP, DHCP, DNS, RTP, RTSP, NTP, FTP picture upload
	Security	Heartbeat, password protection, NTP
Interface	Communication Interface	1 RJ45 10M/100M/1000M adaptive Ethernet interface
	Serial Port	1 RS-485 serial port, 1 RS-232 serial port
	Built-in LED Light	2 built-in LED lights, IR and white light switchable
	Audio Input	1-ch
	Audio Output	1-ch
	Triggered Input	3-ch triggered inputs, including 1-ch I/O triggered input and 2-ch alarm inputs
	Relay Output	2-ch relay outputs, supporting rising/falling/stopping of barrier gate boom pole
	Memory Card Slot	1 TF card slot, up to 128 GB
General	Working Temperature	-30 °C to 70 °C (-22 °F to 158 °F)
	Working Humidity	90% or less (non-condensing)
	Power Supply	100 to 240 VAC/12 V PoE
	Power Consumption	Max. 22 W

	Protection Level	IP67, IK10
Vehicle Recognition	Vehicle Color	Red, yellow (including orange), green, blue, purple, brown, white, grey (including silvery), black
	ANPR Supported Country/Region	<p>Mid-East: United Arab Emirates(Abu Dhabi, Ajman, Dubai, Fujairah, Ras Al Khaimah, Sharjah and Umm Al Quwain), Qatar, Iran, Iraq, Egypt, Jordan, Kuwait, Saudi Arabia, Pakistan, Oman, Lebanon, Bahrain</p> <p>Africa: Nigeria, Kenya, Cote d'Ivoire, South Africa, Tanzania, Mauritius, Morocco, Tunisia, Sierra Leone, Zambia, Ghana, Zimbabwe, Uganda, Angola, Ethiopia, Senegal, Algeria</p> <p>Asia-Pacific: Australia, New Zealand, Indonesia, Malaysia, Singapore, South Korea, Thailand, Vietnam, Philippines, Hong Kong, Macao, Taiwan, Burma, India, Mongolia, Cambodia, Laos, Bangladesh</p> <p>America: United States of America, Canada, Argentina, Chile, Paraguay, Uruguay, El Salvador, Bolivia, Colombia, Brazil, Ecuador, Peru, Mexico, Panama, Costa Rica, Trinidad and Tobago, Dominican, Guatemala</p> <p>Europe: Turkey, Croatia, Slovakia, Czech Republic, Bulgaria, Macedonia, Hungary, Greece, Poland, France, Netherlands, Switzerland, Spain, Britain, Ireland, Germany, Italy, Austria, Israel, Palestine, Belgium, Luxembourg, Albania, Kosovo</p> <p>Russian-Speaking Regions: Azerbaijan, Belarus, Kazakhstan, Lithuania, Georgia, Estonia, Latvia, Russian Federation, Ukraine, Moldova, Uzbekistan, Kyrgyzstan, Armenia</p>
	ANPR Accuracy (Under recommended installation and lighting conditions)	<p>Capture rate > 99.5%</p> <p>Vehicle moving direction recognition accuracy > 96%</p> <p>Mistaken capture rate < 2% (entrance/exit)</p> <hr/> <p>LPR accuracy > 99.5%</p> <p>Country/Region recognition accuracy > 98% (only applied to European and Russian-speaking regions)</p>




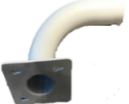
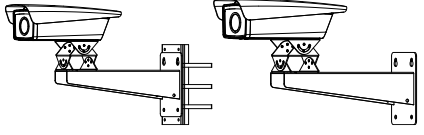

Dimension

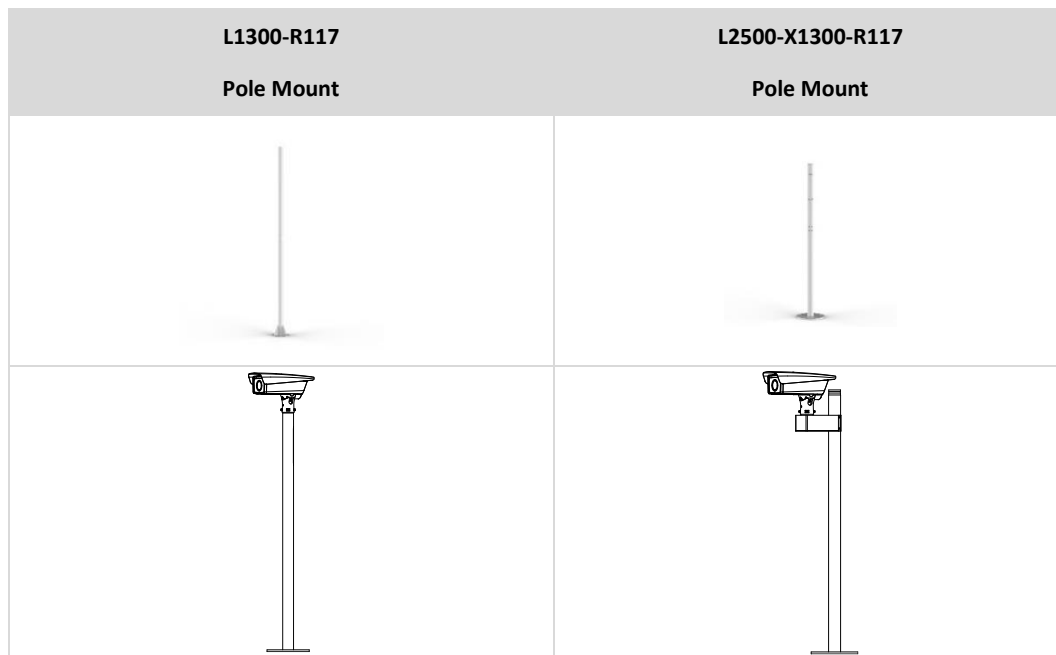


Available Model

DS-TCG205-B (12 V/PoE), DS-TCG205-B (220 V)

Accessory

DS-1275ZJ/HWB Hoop Mount	DS-1701ZJ/HWB Wall Mount	Cardan Joint	Wall Mount
			
			



Distributed by



HIKVISION®

Headquarters

No.555 Qianmo Road, Binjiang District,
Hangzhou 310051, China
T +86-571-8807-5998
overseasbusiness@hikvision.com

Hikvision USA
T +1-909-895-0400
sales.usa@hikvision.com

Hikvision Australia
T +61-2-8599-4233
salesau@hikvision.com

Hikvision India
T +91-22-28469900
sales@pramahikvision.com

Hikvision Canada
T +1-866-200-6690
sales.canada@hikvision.com

Hikvision Thailand
T +662-275-9949
sales.thailand@hikvision.com

Hikvision Europe
T +31-23-5542770
sales.eu@hikvision.com

Hikvision Italy
T +39-0438-6902
info.it@hikvision.com

Hikvision Brazil
T +55 11 3318-0050
Latam.support@hikvision.com

Hikvision Turkey
T +90 [216]521 7070- 7074
sales.tr@hikvision.com

Hikvision Malaysia
T +601-7652-2413
sales.my@hikvision.com

Hikvision UK & Ireland
T +01628-902140
sales.uk@hikvision.com

Hikvision South Africa
Tel: +27 [10] 0351172
sale.africa@hikvision.com

Hikvision France
T +33(0)1-85-330-450
info.fr@hikvision.com

Hikvision Kazakhstan
T +7-727-9730667
nikia.panfilov@hikvision.ru

Hikvision Vietnam
T +84-974270888
sales.vt@hikvision.com

Hikvision UAE
T +971-4-4432090
salesme@hikvision.com

Hikvision Singapore
T +65-6684-4718
sg@hikvision.com

Hikvision Spain
T +34-91-737-16-55
info.es@hikvision.com

Hikvision Tashkent
T +99-87-1238-9438
uzb@hikvision.ru

Hikvision Hong Kong
T +852-2151-1761
info.hk@hikvision.com

Hikvision Russia
T +7-495-669-67-99
saleru@hikvision.com

Hikvision Korea
T +82-[0]31-731-8817
sales.korea@hikvision.com

Hikvision Poland
T +48-22-460-01-50
info.pl@hikvision.com

Hikvision Indonesia
T +62-21-2933759
Sales.Indonesia@hikvision.com

Hikvision Colombia
sales.colombia@hikvision.com