



The MA 2000 Series is the range of mixer amplifiers that is able to handle 4 microphone inputs and auxiliary inputs, making the MA 2000 Series suitable for small and medium scale public address applications, such as mosque, office, restaurants or pubs, fitness clubs, auditoriums, warehouses, factories and retail stores.

The MA 2000 series comes with individual input gain controls with a master volume control. Bass and Treble controls are provided for the user's equalisation preference.

The MA 2000 series is integrated with voice muting function for Mic 1, thus giving it the highest priority to override other sources during emergency situation. Able to operate off mains or an external battery, the MA 2000 Series is a viable solution for any mobile application from a family day sports event to a large-scale garden party.

The MA 2000 Series consists of 5 different models each tailoring to the customers output power requirements and speaker zone; MA 2006 (60W without zone), MA 2015 (150W without zone ), MA 2025 (250W without zone), MA 2415 (150W with 4 zones) and MA 2425 (250W with 4 zones).

- 4 microphone inputs with user selectable phantom power.
- Individual gain control on all 4 microphone inputs.
- Short circuit and over current protection with resettable fuse cut-off  
In the event of a short circuit, just rectify the line and reset the amplifier and normal operation will resume.
- Voice activated muting function enables MIC 1 to override all the inputs.
- Bass and Treble Master tone control for equalization and audio tuning.
- Dual mode power supply of either AC mains or DC battery supply.



60W Mixer Amplifier MA 2006

Technical Specifications

MA 2006							
Rated Output	60 W at 100 V						
Frequency Response	40 Hz - 20 kHz						
Input Sensitivity	<table border="0"> <tr> <td>MIC 1</td> <td>6.3mm Phone socket, 0 dB/-60 dB, 600 Ω Balanced (with voice activated muting function and phantom power dip switch)</td> </tr> <tr> <td>MIC 2 - 4</td> <td>6.3mm Phone socket, 0 dB/-60 dB, 600 Ω Balanced (with phantom power dip switch)</td> </tr> <tr> <td>AUX 1 &amp; 2</td> <td>RCA connector, -20 dB 10k Ω Stereo input</td> </tr> </table>	MIC 1	6.3mm Phone socket, 0 dB/-60 dB, 600 Ω Balanced (with voice activated muting function and phantom power dip switch)	MIC 2 - 4	6.3mm Phone socket, 0 dB/-60 dB, 600 Ω Balanced (with phantom power dip switch)	AUX 1 & 2	RCA connector, -20 dB 10k Ω Stereo input
MIC 1	6.3mm Phone socket, 0 dB/-60 dB, 600 Ω Balanced (with voice activated muting function and phantom power dip switch)						
MIC 2 - 4	6.3mm Phone socket, 0 dB/-60 dB, 600 Ω Balanced (with phantom power dip switch)						
AUX 1 & 2	RCA connector, -20 dB 10k Ω Stereo input						
REC OUT	RCA connector, 0 dB 600 Ω unbalanced Stereo output						
Zone Selection	No Zone selection						
Protection Circuit	Over current and short circuit protection.						
AC Power Consumption	85 W						
DC Power Supply	24 V , 2.3 A						
Dimensions (W x H x D)	430 x 90 x 250 mm						
Weight	6.6 kg						



150W Mixer Amplifier MA 2015

Technical Specifications

MA 2015							
Rated Output	150 W at 100 V						
Frequency Response	40 Hz - 20 kHz						
Input Sensitivity	<table border="0"> <tr> <td>MIC 1</td> <td>6.3mm Phone socket, 0 dB/-60 dB, 600 Ω Balanced (with voice activated muting function and phantom power dip switch)</td> </tr> <tr> <td>MIC 2 - 4</td> <td>6.3mm Phone socket, 0 dB/-60 dB, 600 Ω Balanced (with phantom power dip switch)</td> </tr> <tr> <td>AUX 1 &amp; 2</td> <td>RCA connector, -20 dB 10k Ω Stereo input</td> </tr> </table>	MIC 1	6.3mm Phone socket, 0 dB/-60 dB, 600 Ω Balanced (with voice activated muting function and phantom power dip switch)	MIC 2 - 4	6.3mm Phone socket, 0 dB/-60 dB, 600 Ω Balanced (with phantom power dip switch)	AUX 1 & 2	RCA connector, -20 dB 10k Ω Stereo input
MIC 1	6.3mm Phone socket, 0 dB/-60 dB, 600 Ω Balanced (with voice activated muting function and phantom power dip switch)						
MIC 2 - 4	6.3mm Phone socket, 0 dB/-60 dB, 600 Ω Balanced (with phantom power dip switch)						
AUX 1 & 2	RCA connector, -20 dB 10k Ω Stereo input						
REC OUT	RCA connector, 0 dB 600 Ω unbalanced Stereo output						
Zone Selection	No Zone selection						
Protection Circuit	Over current and short circuit protection.						
AC Power Consumption	210 W						
DC Power Supply	24 V , 5.7 A						
Dimensions (W x H x D)	430 x 90 x 250 mm						
Weight	8.2 kg						



250W Mixer Amplifier MA 2025

Technical Specifications

MA 2025							
Rated Output	250 W at 100 V						
Frequency Response	40 Hz - 20 kHz						
Input Sensitivity	<table border="0"> <tr> <td>MIC 1</td> <td>6.3mm Phone socket, 0 dB/-60 dB, 600 Ω Balanced (with voice activated muting function and phantom power dip switch)</td> </tr> <tr> <td>MIC 2 - 4</td> <td>6.3mm Phone socket, 0 dB/-60 dB, 600 Ω Balanced (with phantom power dip switch)</td> </tr> <tr> <td>AUX 1 &amp; 2</td> <td>RCA connector, -20 dB 10k Ω Stereo input</td> </tr> </table>	MIC 1	6.3mm Phone socket, 0 dB/-60 dB, 600 Ω Balanced (with voice activated muting function and phantom power dip switch)	MIC 2 - 4	6.3mm Phone socket, 0 dB/-60 dB, 600 Ω Balanced (with phantom power dip switch)	AUX 1 & 2	RCA connector, -20 dB 10k Ω Stereo input
MIC 1	6.3mm Phone socket, 0 dB/-60 dB, 600 Ω Balanced (with voice activated muting function and phantom power dip switch)						
MIC 2 - 4	6.3mm Phone socket, 0 dB/-60 dB, 600 Ω Balanced (with phantom power dip switch)						
AUX 1 & 2	RCA connector, -20 dB 10k Ω Stereo input						
REC OUT	RCA connector, 0 dB 600 Ω unbalanced Stereo output						
Zone Selection	No Zone selection						
Protection Circuit	Over current and short circuit protection.						
AC Power Consumption	355 W						
DC Power Supply	24 V , 9.4 A						
Dimensions (W x H x D)	430 x 90 x 250 mm						
Weight	11.2 kg						



150W Mixer Amplifier MA 2415  
- 4 Zone Selection

### Technical Specifications

MA 2415 - 4 Zones	
Rated Output	150 W at 100 V
Frequency Response	40 Hz - 20 kHz
Input Sensitivity	MIC 1 6.3mm Phone socket, 0 dB/-60 dB, 600 Ω Balanced (with voice activated muting function and phantom power dip switch) MIC 2 - 4 6.3mm Phone socket, 0 dB/-60 dB, 600 Ω Balanced (with phantom power dip switch) AUX 1 - 3 RCA connector, -20 dB 10k Ω Stereo input
REC OUT	RCA connector, 0 dB 600 Ω unbalanced Stereo output
Zone Selection	4 Zone selection
Protection Circuit	Over current and short circuit protection.
AC Power Consumption	210 W
DC Power Supply	24 V , 5.7 A
Dimensions (W x H x D)	430 x 90 x 250 mm
Weight	8.3 kg



250W Mixer Amplifier MA 2425  
- 4 Zone Selection

### Technical Specifications

MA 2425 - 4 Zones	
Rated Output	250 W at 100 V
Frequency Response	40 Hz - 20 kHz
Input Sensitivity	MIC 1 6.3mm Phone socket, 0 dB/-60 dB, 600 Ω Balanced (with voice activated muting function and phantom power dip switch) MIC 2 - 4 6.3mm Phone socket, 0 dB/-60 dB, 600 Ω Balanced (with phantom power dip switch) AUX 1 - 3 RCA connector, -20 dB 10k Ω Stereo input
REC OUT	RCA connector, 0 dB 600 Ω unbalanced Stereo output
Zone Selection	4 Zone selection
Protection Circuit	Over current and short circuit protection.
AC Power Consumption	355 W
DC Power Supply	24 V , 9.4 A
Dimensions (W x H x D)	430 x 90 x 250 mm
Weight	11.3 kg

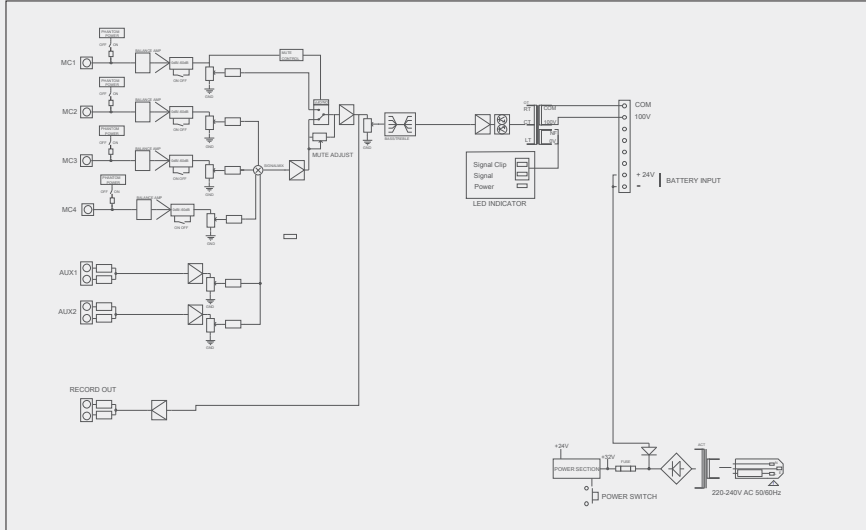


RM 04 - Remote Microphone

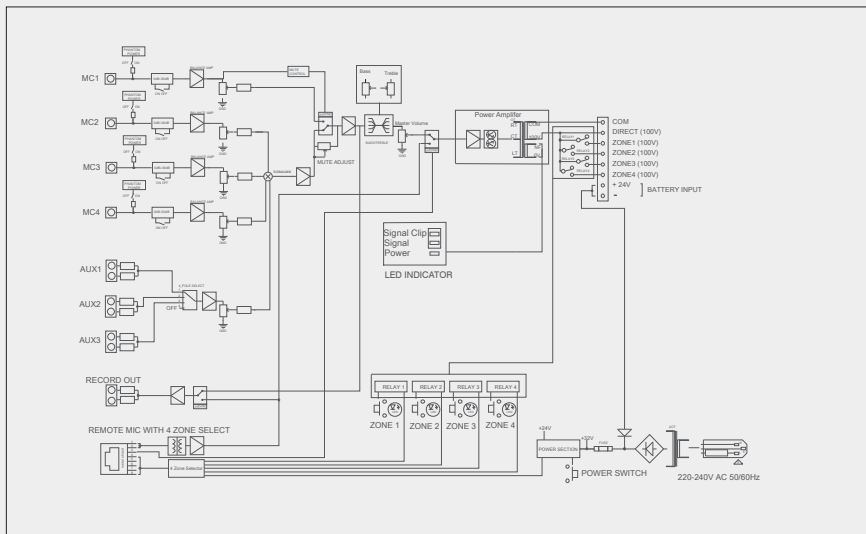
### Technical Specifications

RM 04	
Output sensitivity	0 dB
Frequency Response	20 Hz - 20 kHz
Indicators	Zone selection LED indicator Chime in progress / Talk indicator
Control	4 no. zone selection button (push to select and push to release) Talk button
Chime	Pre-announcement 4-tone ascending Post-announcement 4-tone descending
Material & Finish	ABS, Graphite Black
Dimensions (W x H x D)	105 x 50 x 170 mm
Weight	0.1 kg

## Block Diagram



MA 2006 / MA 2015 / MA 2025

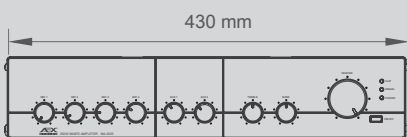


MA 2415 / MA 2425

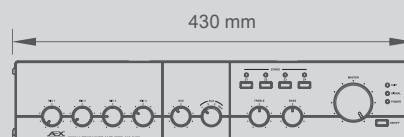
## Engineers' Specifications

The unit shall accept 4 mic level inputs (0dB/-60dB) with user selectable Phantom Power, 2 line level auxiliary stereo inputs (-20dB) for MA 2006, MA 2015 and MA 2025 while there are 3 line level auxiliary stereo inputs (-20dB) for MA 2415 and MA 2425. A 0dB line output shall be provided to facilitate an external recording equipment or to an external audio power amplifier. Frequency response of the unit shall be minimum 40Hz - 20 kHz. The power rating of the unit shall be 60Wrms (MA 2006) / 150Wrms (MA 2015) / 250Wrms (MA 2025) / 150Wrms (MA 2415)

/ 250Wrms (MA 2425). The unit shall include voice activated muting function which enables mic input 1 to override other inputs, individual gain controls for every input and a master volume control with bass & treble control. The unit shall feature short circuit and over current protection with resettable fuse. The unit shall be able to operate off dual power supply modes of either AC mains or DC power. The dimensions shall not exceed 430 x 90 x 250mm.



MA 2006 / MA 2015 / MA 2025



MA 2415 / MA 2425