



The RM 04 Remote Microphone is designed to work with the MA 2400 Series range of Mixer Amplifier. The Remote Microphone is elegantly designed and features a condenser gooseneck microphone with a wide frequency response. The microphone provides integrated control in a single unit allowing the user to remotely control the 4 available zones on the MA 2400 Series Mixer Amplifier. The unit requires only the use of a single shielded CAT5 cable to ease installation and cabling cost.

- Designed for use with the MA 2415 and MA 2425 Mixer Amplifier units.
- Provides the user with 4 zone selection buttons.
- Pre-announcement ascending chime and post announcement descending chime.
- Visual LED indicator for Chime and Ready to Talk .



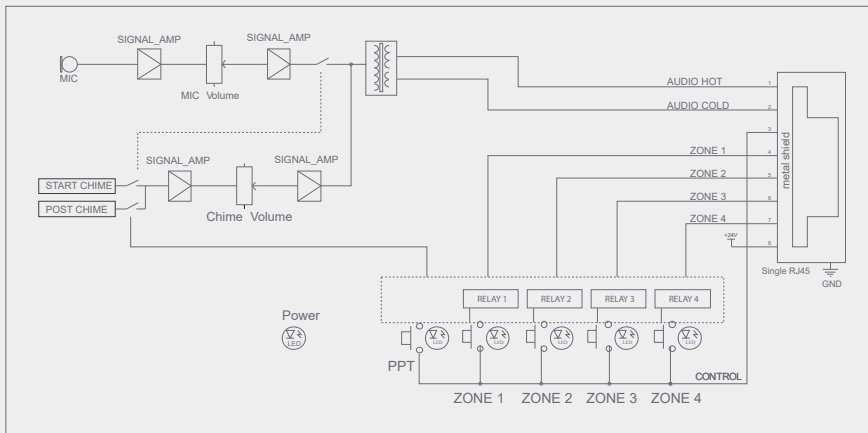
RM 04 - Remote Microphone



Technical Specifications

RM 04	
Output sensitivity	0 dB Balanced
Frequency Responses	20 Hz - 20 kHz
Indicators	Zone selection LED indicator Chime in progress / Talk indicator
Control	4 no. zone selection button (push to select and push to release) Talk button
Chime	Pre-announcement 4-tone ascending Post-announcement 4-tone descending
Material & Finish	ABS, Graphite Black
Dimensions (W x H x D)	105 x 50 x 170 mm
Weight	0.1 kg

Block Diagram



Engineers' Specifications

The remote microphone shall come with a non-detachable condenser gooseneck microphone. The audio output level shall be 0dB Balanced. It shall be able to emit a pre-announcement 4-tone ascending chime when the talk button is pressed. The unit shall emit a post-announcement 4-tone descending chime when the talk button is released. The unit shall feature LED indicator for chime in progress and ready to talk status

