

The AT 05L Low Impedance Audio Attenuator is aesthetically designed to blend into most architectural surrounding and matches to the electrical fittings. The units are constructed from high impact ABS with white finishing, making the units highly durable.

The unit is suitable to attenuate low impedance audio output, may it be directly from a power amplifier or from an amplified TV output to the room loudspeaker.

The AT 05L consists of a resistor network, with a power handling of up to 6W, suitable for 8 ohm loudspeakers. The unit has 5 steps of attenuation from the maximum of 0 dB to the OFF position with each step being -6 dB, all this controlled from a rotary selector switch at the front of the unit.

- Maximum insertion loss of -0.5 dB.
- Sleek and aesthetically designed, constructed from high impact ABS with white finishing that blends easily into most surroundings.
- The flexibility of being flush mounted or surface mounted without any visible mounting screws.



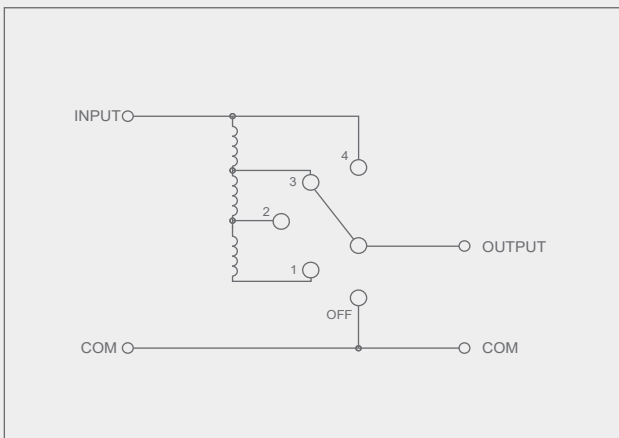
**AT 06L**  
Low Impedance Audio Attenuator



## Technical Specifications

AT 06L	
Maximum Power Handling	6 W
Attenuation	5 levels of -6 dB per step (0 dB, -6 dB, -12 dB, -18 dB, -∞ dB)
Maximum Insertion Loss	- 0.5 dB
Material & Finish	ABS Resin, White
Dimensions (W x H x D)	86 x 86 x 26 mm
Weight	0.1 kg

## Block Diagram



## Accessories

### ATS Flush Mounting Back Box ASM 101S



Dimensions (W x H x D): 70 x 70 x 48 mm

## Engineers' Specifications

The audio attenuator shall be suitable for use with low impedance loudspeakers. It shall have 5 levels of attenuation in steps of -6 dB, inclusive of an 'OFF' position. Maximum handling power shall be 6W rated at 8 ohms. It shall be able to be both flush and surface mounted to the wall (with optional back box) without any visible mounting

screws. The facial components shall be made from high impact ABS in white. Its front facial dimensions shall not exceed 86 x 86 mm and depth not exceeding 21 mm.



**AT 06L**