



The CA 563 is a full range ceiling loudspeaker that can be applied to areas that require paging and background music to be broadcasted. The slim profiled CA 563 ABS grille ceiling loudspeakers comes with an epoxy coated fine metal mesh that easily matches to most ceiling surfaces. Being spring mounted eases installation and improves aesthetics. CA 563 comes with a 120 mm dynamic full range loudspeaker component, making the unit suitable for a wide range of application, be it voice or music. A 6 W rated multi-tapping line matching transformer is built into the unit, suitable for use with 100 V line systems.

- Elegant screwless circular pure white ABS grille, covered with a fine metal mesh.
- Utilising a 120 mm dynamic full range loudspeaker driver unit, suitable for paging and background music broadcast applications.
- Spring mounted installation to eliminate visible mounting screws and ease installation.
- Ready fitted line matching transformer with multiple impedance tapplings, suitable for 70 V and 100 V distributed speaker systems.

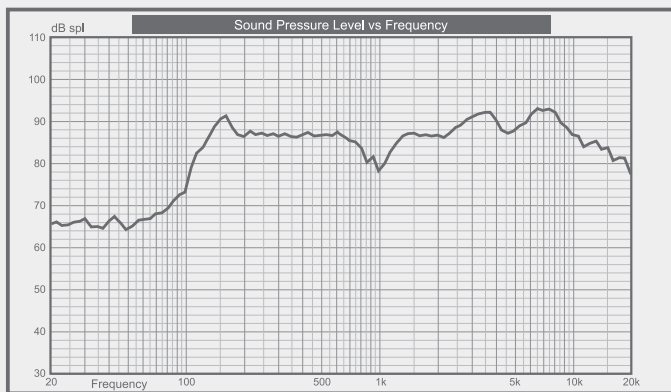
**CA 563**



Technical Specifications

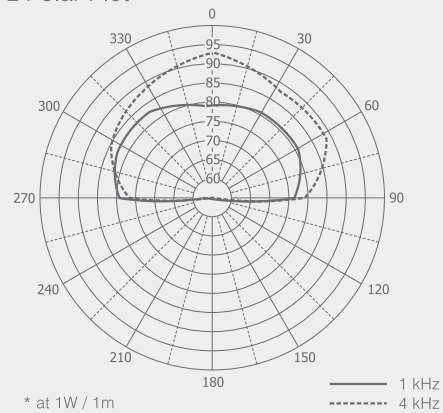
CA 563	
Rated Input	100 V : 6 W (6 - 3 - 1.5 W) 70 V : 3 W (3 - 1.5 - 0.75 W)
Maximum Power	9 W
Rated Impedance	1.7 kΩ (1.7 - 3.3 - 6.7 kΩ)
Sensitivity (1 W / rated at 1m)	92 / 100 dB
Coverage Angle (1 kHz, -6 dB)	180 deg.
Frequency Response	100 Hz ~ 20 kHz
Speaker Component	120 mm Dynamic Full Range Loudspeaker
Safety	Acc. to EN 60065
Material & Finish	Grille and Mesh; White
Dimensions	Dia 175 x 54 mm
Weight	0.5 kg

Frequency Response



* at 1 W / 1 m

SPL Polar Plot



* at 1W / 1m

— 1 kHz
- - - 4 kHz

Engineers' Specifications

The ceiling loudspeaker unit shall consist of a 120 mm dynamic full range loudspeaker driver, mounted on to a 175 mm ABS circular grille, finished in pure white and covered with a fine metal mesh. The unit shall be spring mounted to the ceiling to avoid visible mounting screw. A line matching transformer shall be provided with multiple power tappings of 6, 3 & 1.5 W (100 V) / 3, 1.5 & 0.75 W (70 V)

suitable for distributed speaker systems. The loudspeaker unit shall have a useable frequency range of 100 Hz ~ 20 kHz with a minimum SPL of 92 dB at 1 W / m, and a coverage angle of 180 deg.. The weight of the unit shall not exceed 0.5 kg and dimensions shall be not more than 175 mm diameter and depth 54 mm.

