



The CX 611 and CX 611E Flush Mount 2-Way Coaxial Ceiling Loudspeaker are designed for high ceiling applications in a public address system where directive sound projection is required. The unit consists of a 160 mm 2-way coaxial loudspeaker driver, capable of delivering up to 102 dB of Sound Pressure Level (SPL) and providing excellent speech and music reproduction properties.

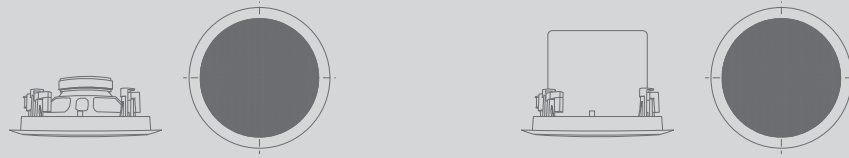
The unit's built-in line matching transformer makes it suitable for 70 V and 100 V distributed speaker system. Multiple power tapings on the transformer allows for outputs of 10, 5 and 2.5 W (100 V line system) or 5, 2.5 and 1.3 W (70 V line system).

The loudspeaker driver unit is mounted onto an aesthetically pleasing 230 mm circular ABS grille finished with a matted surface in White and covered with a fine metal mesh. The whole unit is clamp mounted to the ceiling board without any visible screw mounting holes.

The CX 611E features a metal back enclosure which helps eliminate crosstalk within the ceiling cavity, while acoustic damping material lining the enclosure reduces echoing.

- 230 mm circular pure white ABS grille, utilising a 160 mm two way coaxial loudspeaker driver unit, suitable for applications requiring high efficiency and music quality output.
- Clamp mounted installation to eliminate visible mounting screws.
- Ready fitted line matching transformer with multiple impedance tapings, suitable for 70 V and 100 V distributed speaker systems.
- Metal back enclosure (CX 611E) padded with acoustic damping material reduces echoing and enhances speech intelligibility.

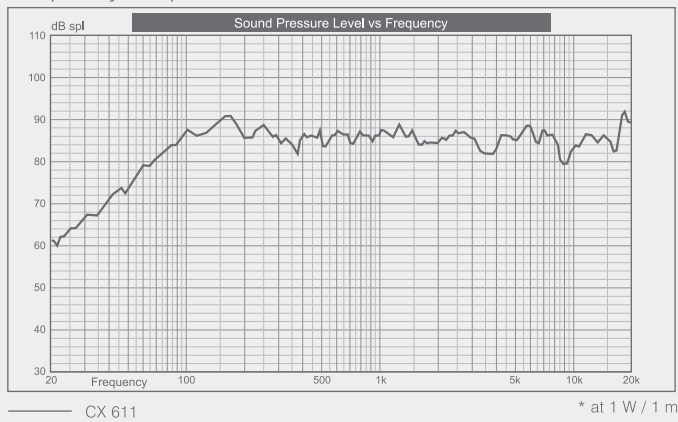
**CX 611****CX 611E**



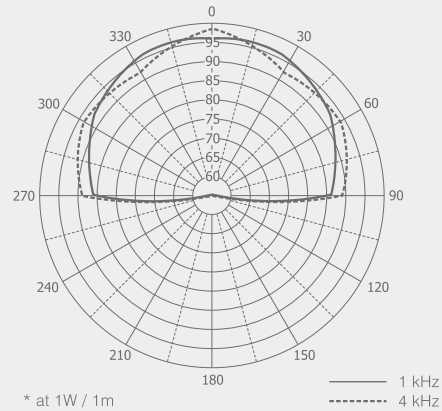
Technical Specifications

	CX 611	CX 611E
Rated Input	100 V : 10 W (10 - 5 - 2.5 W) 70 V : 5 W (5 - 2.5 - 1.3 W)	100 V : 10 W (10 - 5 - 2.5 W) 70 V : 5 W (5 - 2.5 - 1.3 W)
Maximum Power	15 W	15 W
Rated Impedance	1 kΩ (1 - 2 - 4 kΩ)	1 kΩ (1 - 2 - 4 kΩ)
Sensitivity (1 W / rated at 1m)	92 / 102 dB	92 / 102 dB
Coverage Angle (1 kHz, -6 dB)	130 deg.	130 deg.
Frequency Response	55 Hz ~ 20 kHz	65 Hz ~ 20 kHz
Speaker Component	160 mm 2-Way Coaxial Loudspeaker	160 mm 2-Way Coaxial Loudspeaker
Safety	Acc. to EN 60065	Acc. to EN 60065
Finish	Grille and Mesh; White	Grille and Mesh; White
Dimensions	Dia 230 x 75 mm	Dia 230 x 150 mm
Weight	1.0 kg	2.3 kg

Frequency Response



SPL Polar Plot



Engineers' Specifications

The coaxial ceiling loudspeaker unit shall consist of a 160 mm 2-way coaxial loudspeaker driver, mounted on to a 230 mm ABS circular grille, finished in pure white and covered with a fine metal mesh. The unit shall be clamp mounted to the ceiling to avoid visible mounting screw. A line matching transformer shall be provided with multiple power tapings of 10, 5 & 2.5 W (100 V) / 5, 2.5 & 1.3 W (70 V) suitable for distributed speaker systems. The loudspeaker unit shall have a useable frequency range of 55 Hz ~ 20 kHz (CX 611) / 65 Hz

~ 20 kHz (CX 611E) with a minimum SPL of 92 dB at 1 W / m, 1 kHz and a coverage angle of 130 deg.. A metal back enclosure shall be provided as a standard item (CX 611E) and padded with acoustic damping material to reduce echoing. The weight of the unit shall not exceed 1.0 kg (CX 611) / 2.3 kg (CX 611E) and dimensions shall be not more than 230 mm diameter and depth 75 mm (CX 611) / 150 mm (CX 611E).

