

HC Series

High Quality Ceiling Speaker



The H series speaker range is specially developed to address the growing needs of the Audio-visual (AV) and Background Music (BGM) industry, especially in the hotels, malls, conference rooms, lecture halls, auditoriums, museums, galleries, restaurants and bars application.

Many AV and BGM industry installers require different types of speaker system depending on the project requirement. Our H series speaker solutions bring you this flexibility, to mix and match any of speaker system solution depending on the needs of your installation with the assurance of the highest audio reproduction quality.

The HC 631 Series Coaxial Ceiling Loudspeakers are well sought-after in installations that require good musical quality reproduction with a wide dispersion coverage angle. It can produce a wide audio bandwidth due to its individually dedicated transducers for the high & low frequencies. The HC 631 Series is meant for discreet installations with its slim profile grille & fine metal mesh making the unit blend into its surroundings seamlessly.

HC 631



HC 631-L



HC 631E



- 230 mm circular pure white ABS grille, utilizing a 160 mm 2-way coaxial loudspeaker driver unit, suitable for applications requiring high music quality output and wide area coverage.
- Clamp mounted installation to eliminate visible mounting screws.
- Ready fitted line matching transformer with multiple impedance tapings, suitable for 70 V and 100 V distributed speaker systems. (Only for HC 631 and HC 631E)
- ABS back enclosure (HC 631E) padded with acoustic damping material reduces echoing and enhances speech intelligibility.
- HC 631E utilizes bass reflex port design for enhanced frequency response.
- Suitable for Public Address (PA) and Background Music (BGM) system application.

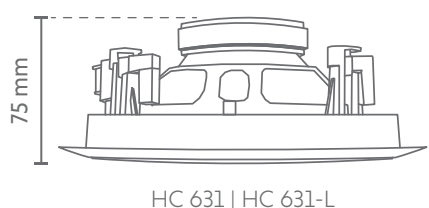
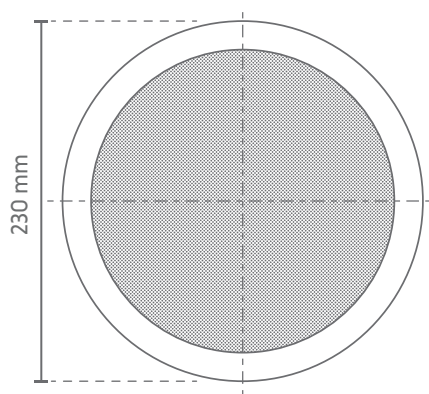
HC Series

High Quality Ceiling Speaker

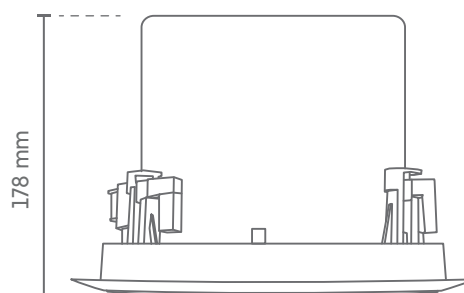
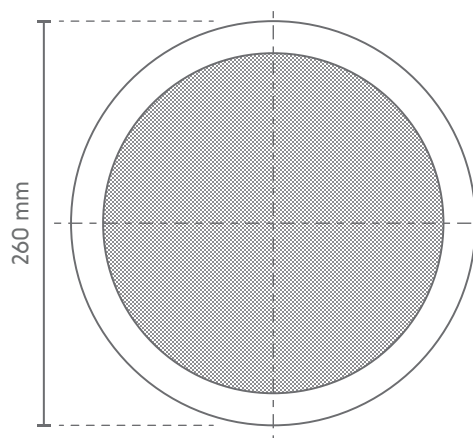


Technical Specifications

	HC 631	HC 631-L	HC 631E
Rated Input (100 V)	100V : (30 - 15 - 7.5 W) 70V : (15 - 7.5 - 3.8 W)	Low Impedance 8Ω	100V : (30 - 15 - 7.5 W) 70V : (15 - 7.5 - 3.8 W)
Maximum Power	45W	200W (Peak Program)	45W
Rated Impedance	330Ω (330 - 670 - 1300 Ω)	8Ω	330Ω (330 - 670 - 1300 Ω) / 8Ω
Sensitivity (1 W / rated at 1 m)	92 / 107 dB	92 / 107 dB	92 / 107 dB
Coverage Angle (1 kHz, -6 dB)	130 °	130 °	130 °
Frequency Response (-10 dB)	75-19kHz	75-19kHz	75-19kHz
Frequency Response (-3dB)	90-16kHz	90-16kHz	90-16kHz
Speaker Component	160 mm 2-Way Coaxial Loudspeaker	160 mm 2-Way Coaxial Loudspeaker	165 mm 2-Way Coaxial Loudspeaker
Safety	Acc. to EN 60065	Acc. to EN 60065	Acc. to EN 60065
Dimensions	Dia. 230 x 75 mm	Dia. 230 x 75 mm	Dia. 260 x 178 mm
Weight	1kg	1kg	2kg



HC 631 | HC 631-L



HC 631E