



The GD 8 is designed for use in outdoor garden applications where the loudspeaker unit is tasked to evenly cover a large area without compromising on the clarity of the system. The full range garden loudspeaker effortlessly provides sound quality and performance, may it be public announcement or background music playback.

The unit utilises a dual cone dynamic 166 mm loudspeaker component which has been treated for waterproofing properties. The loudspeaker component is enclosed in a compact HIPS enclosure to withstand harsh outdoor weather conditions, rated to IP65. The unit comes with a built-in audio line matching transformer for both 100 V / 70 V line distributed speaker systems, rated at 30 W.

- Utilises a 166 mm dual cone dynamic loudspeaker component which has been treated for waterproofing properties.
- Compact HIPS enclosure to withstand harsh outdoor weather conditions.
- Built-in audio line matching transformer for 100 V/70 V line distributed speaker system, rated at 30 W.
- Suitable for outdoor applications that require the unit to be IP65 rated.



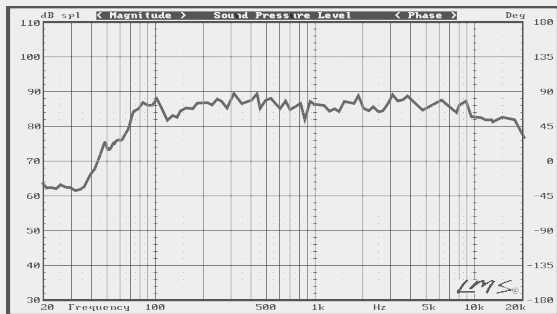
GD 8



Technical Specifications

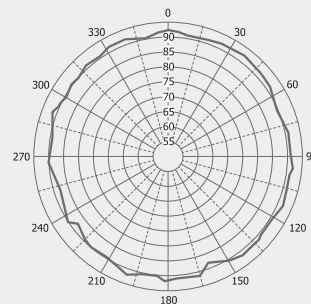
GD 8	
Rated Input	100 V : 30 W (30 - 15 - 7.5 W) 70 V : 15 W (15 - 7.5 - 3.8 W)
Maximum Power	45 W
Rated Impedance	330 Ω (330 - 670 - 1300 Ω)
Sensitivity (1 m @ 1 W / rated)	91 / 106 dB
Coverage Angle (H x V)	360 deg.
Frequency Response	80 Hz ~ 18 kHz
Speaker Component	166mm Dual cone loudspeaker component, waterproof treated
Protection	IP65
Safety	Acc. to EN 60065
Material & Finish	High Impact Polystyrene (HIPS), Black Grey
Dimensions	Dia 268 x 320 mm
Weight	1.5 kg

Frequency Response



* at 1W / 1m

SPL Polar Plot



* at 1W / 1m

— Horizontal

