

Performance

SOYAL®

Access control system

simple . flexible . secure



SOYAL advanced and more precise control of who (card user) can enter where (door group) at what time (time zone) using what method (card and/or pin). Up to 15,000 users.

Elegance LCD screen

User friendly big LCD showing welcome screen, employe alias name, time, date display to avoid any employee clocking time dispute

Expiry date function

Each user access authority effective date can be configured in software. This allow management manage accessibility of user more effective.

Easy to use software

Software has clean GUI and optimized to provide practical function instead of crowded with unnecessary features. This make our software easier to learn, simpler to use and easier to be assist by technical support. Our software is simpler enough for small company and yet powerful enough to cater the needs of big organization.

Time attendance

Flexible multi shift system automate clocking report to review total work time, break time and overtime of staff. No more long hours of manual calculation. Lateness, early out, long lunch and absenteeism report allow you to monitor staff punctuality and improve company efficiency.

Built-in alarm function

External alarm will sound off and notify software if door is forced open or left open too long. Alarm can be armed / disarmed by password. Extra value added feature.



AR829E
Controller with built-in reader



AR721U
Auxiliary Wiegand reader

Icon based menu easy to learn



CCTV capture of in & out clocking



Clean and easy interface



Multi Shift Setting



SOYAL e-tegra
Access Control Management Software

- Lite - Standalone function
- Pro Basic - Client/server network and CCTV
- Pro Advance - More extensive network and CCTV



Performance RFID access control system



AR829E is a high performance single door controller with built in RF reader. Multiple AR829E can be connected together to PC. AR829E can effectively protect your premises from unwanted visitor and at the same time function as time attendance clocking terminal. With all-in-one software, this is the best value solution.

Generally, AR829E is installed inside as EXIT reader while AR721U installed outside as ENTRY reader. There are 2 versions available: AR829E (Standard 125Khz) and AR829E_1356 (Mifare 13.56Mhz).

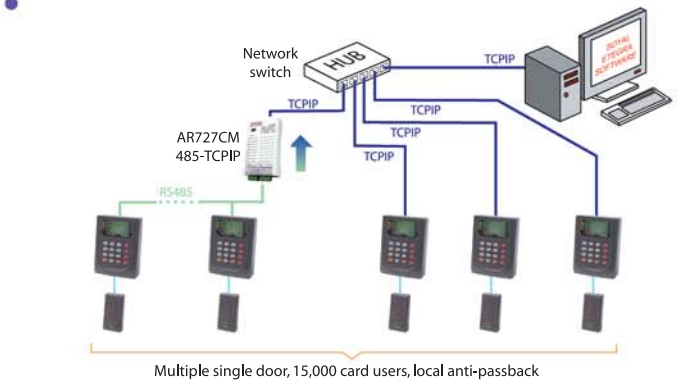
AR829E specification

| | |
|--|---|
| Card user | 15000 |
| Event memory | 11000 |
| Time zone / Holiday | 63 / 120 |
| Door Group | 255 |
| Anti-passback | YES , Local anti-passback only |
| Alarm (Tamper, force entry & door open too long) | YES |
| Elevator Control | 15000 users / 64 floor |
| Direct PC software | YES |
| Multi reader networking with AR716E | NO |
| Access Mode | Card only, card or pin, card and pin |
| Access pin number format | Pin only or user num + pin |
| Expiry Date | Start and Ending expiry date for 5000 users |
| Big LCD screen | Resolution 128X64. 4 text lines with 16 characters each line. |
| Editing using LCD interface | YES |
| Wiegand port | 1 input port (selectable WG 26 or 34) |
| Push button input | 1 negative trigger input |
| Alarm sensor input | 1 negative trigger input |
| Door Output (dry contact) | 0.1 - 600 sec, N.O / N.C, max 24V-1A |
| Alarm Output (open collector) | 0.1 - 600 sec, active low output |
| Reader RF frequency | 125KHz or Mifare 13.56 MHz |
| Reading range | Approx 10cm (4inch) |
| Communication | RS485 - 9600 bps (N,8,1) |
| Power consumption | 10-24V, less than 3W |
| Dimension, weight | 128(H) x 96(W) x 35(D), 230 gram |

RS485 network connection



TCPIP network connection



Standalone connection



AR721U wiegand specification

| | |
|-------------------|-----------------------------------|
| RF frequency | 125KHz |
| Reading range | 7 cm |
| Power consumption | 9 -16V, less than 0.7W |
| Dimension, weight | 81(h) x 43(w) x 18(d) mm, 45 gram |

Accessories

Authorized dealer



Features, specifications and dimensions are subject to change without notice.

WWW.SOYAL.COM.MY