

DYNAMIC CHECKWEIGHER

100% in-line control weight capacity

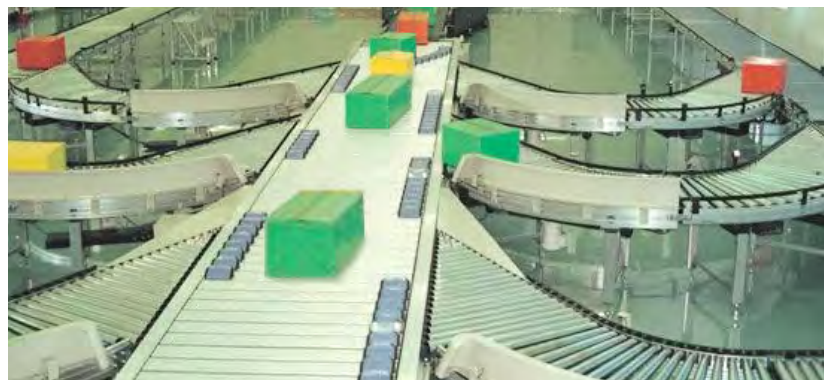


C401A-60K Automatic checkweigher offer a new dynamic weighing technology to solve high-precision problem of a wide range, specially for food, grain, fertilizer, cement and logistics heavy load production lines.



Characteristics:

- *Bag or case weighing up to 60kgs*
- *Excellent accuracy, especially with flexible packaging*
- *Integrated entry conveyor and exit conveyor*
- *Making product identification fast and simple*
- *Statistics programs for evaluation*
- *Continuously variable belt speed control*
- *Automatic measuring time adjustment*

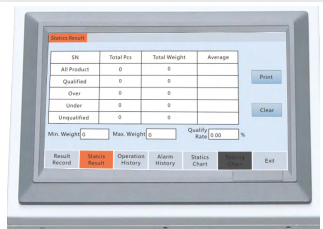


Easy integration in almost any production line



- **Clear operator guidance**

High visibility 10inch TFT screen with graphic user interface



- **Easy-to-use touchscreen**

1,000,000pcs weight value for production statistics



- **2 grams high precision**

Easy cleaning thanks to removable assemblage



- **Optimum flexibility assembly**

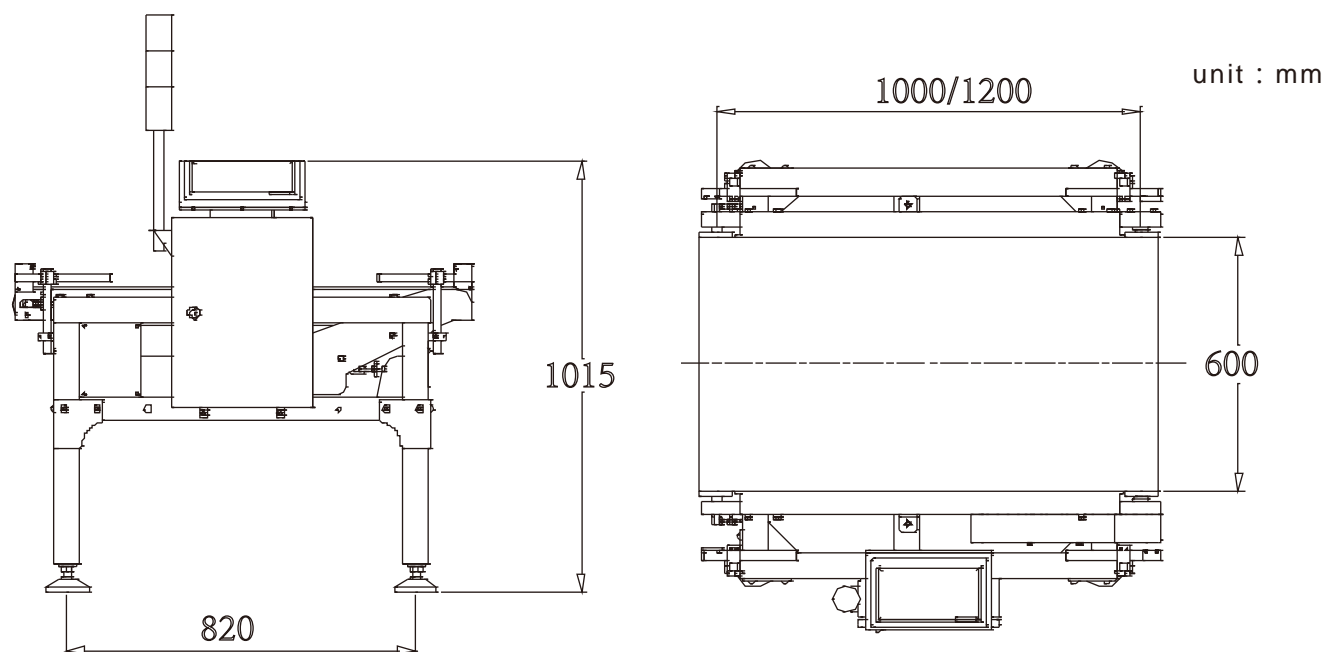
Anti-vibration legs with height adjustment

Ideal for Food, Oil, Chemical, Cement, Logistics industries etc.

- *Multi-product memory(100)*
- *Belt approved for food processing (FDA)*
- *Data storage and data printout ready*
- *Access protection by password*
- *Buzzer and Lamp alarming*
- *Strong mild steel structure, stainless steel(optional)*



Dimension



Specification

Model no.	C401A-60K
Capacity	1 ~ 60Kg
Devision	2g (0.002Kg)
Converter	5 ~ 55Hz
Belt width	600mm
Platform width	710mm
Platform length	S-1000mm; L-1200mm
Belt speed	6 ~ 66m / minute
Product size	L: S-100 ~ 800mm; L-100 ~ 1000mm W: max. 600mm
Display	10inch colorful touch screen (16: 9)
Memory	100pcs products
Communication	ModBus RTU、RS485、TCP/IP、USB
Input	6 low level
Output	8 relay output
Protection	IP30
Temperature	0 °C ~ 40 °C
Humidity	≤ 90%RH without dew
Power supply	AC90 ~ 230V, 50/60Hz, less than 1000VA
Control box size	320mm(L) x 105mm(W) x 420mm(H)
Checkweigher size	1100/1300mm(L) x 968mm(W) x 450/600/750±30mm(H)
Accuracy	±4g (≤40pcs/minute) ±8g (40 ~ 60pcs/minute)
Material	Platform: Stainless steel; Others: Carbon steel