



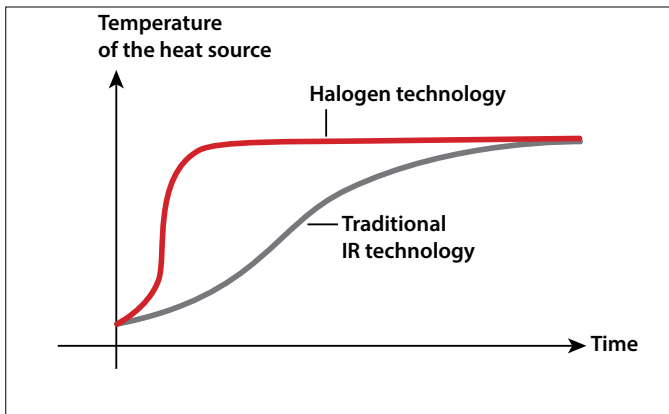
Combining Speed and Precision in One Moisture Analyzer – Test More Samples in Less Time

The MB95's halogen heating system distributes heat uniformly over the sample and speeds up the drying process — delivering fast and precise measurements. Designed for tool-free cleaning, the MB95's components can be easily removed for quick and easy maintenance. Operating the MB95 is intuitive with the icon-driven menu navigation on the touchscreen display.

Standard Features:

- **Increase Efficiency in your Lab with Fast Heating Halogen Technology**
The MB95's precisely controlled halogen heating dries samples quickly and ensures uniform heating to yield fast, precise and repeatable results of 0.01% readability. Four drying profiles and five switch-off criteria help to perform customized sample tests.
- **Define your Drying Parameters and Store Up to 20 Methods for Easy Recall**
MB95 can help you store up to 20 methods and 200 total results, for statistical analysis of measurements.
- **Effortless Maintenance with the Tool-Free Cleaning Design**
Designed with effortless maintenance in mind, the MB95 features a removable pan handler and heating chamber components that make cleaning quick and easy—no tools needed.
- **Touchscreen Icon-Based Menu Navigation Guides Users through Every Step**
Icon-based menu navigation on the easy-to-read touchscreen display makes operating the MB95 intuitive. Perform routine sample testing in three easy steps—no training required.

MB95 *Moisture Analyzer*



Exceptional Precision

The MB95 provides precise results for more confident testing.

- **Fast Halogen Heating Technology**
Halogen heating dries samples in seconds and performs up to 40% faster than traditional infrared methods.
- **Uniform Drying for Precise, Repeatable Results**
The reflective sample chamber ensures uniform heating of each sample to yield reliable results of 0.01% readability.
- **Flexible and Powerful**
Features a full operating temperature range of 40–200 °C in one degree increments.
- **Four Drying Profiles to Ensure Accuracy**
Customize heating of specific samples with temperature control for one-step drying—set temperature and time and begin!
 - Fast:** Quickest possible time to temperature
 - Standard:** Minimal overshoot while achieving temperatures quickly
 - Ramp:** Controlled ramping to temperatures
 - Step:** Set three temperatures at three time intervals
- **Shut-Off Criteria for Automatic Test Completion**
Customize your own test endpoint criteria to automatically end the test once moisture loss is no longer detected. Choose from five criteria— Manual, Timed, A30, A60, A90.

Advanced Functionality

Test a wide variety of materials for a range of applications with MB95

- **20 Methods Library Makes Testing Faster**
Store methods for up to 20 different samples; methods can be easily recalled and transferred to other units for quick setup.
- **Store Up to 200 Results for All Methods for Statistical Analysis**
The MB95 will store 200 results which can be printed or exported via USB memory stick for further analysis
- **RS232 and USB Ports**
Quick connections to a printer, PC or flash drive



Easy Tool-Free Cleaning

The MB95 features a patented pan handler and removable parts for convenient maintenance.

- **Stainless Steel Drying Pan**
Wipe down quickly
- **Removable Heating Chamber Components**
No tools required—simply remove glass and tray to clean



Easy to Use and Maintain

The MB95 features a wide, bright touchscreen display and intuitive menu navigation for fast, accurate moisture analysis.

- **Graphic Display with Touchscreen**
Navigate the device easily with an intuitive user interface on a bright, color, and easy to read graphic display
- **Icon-Driven Menu Navigation**
Easy to follow — no training required
- **Four Mechanical Keys for Fast One-Step Operation**
Tare, Start/Stop, Print, On/Off

MB95 Moisture Analyzer

Model	MB95
Capacity	90 g
Readability	0.01%/0.001 g
Repeatability (Std Dev) (g)	0.1% (3 g sample) 0.018% (10 g sample)
Moisture Range	0.01% to 100% (0.01% to 1000% for regain mode)
Heating Element	Halogen
Drying Programs	Standard, Fast, Ramp, Step
Temp Range	40° - 200° C
Switch-off Criteria	Manual, Timed, Auto (30, 60, 90 seconds)
Adjustment	External adjustment mass - 50 g
Power	100 - 120 VAC 5A 50/60 Hz 200 - 240 VAC 2.5A 50/60 Hz
Operating Temperature Range	5° to 40°C
Display Type	4.3', QVGA, TFT touch screen
Display Results	%moisture, %solids, %regain, time, temperature, weight, method name, drying curve and statistics
Pan Size (mm)	Ø 90
Interface	RS232, USB host, USB device
Adjustable Feet and Level	Yes
Dimensions (W x H x D) (mm)	210 x 180 x 350
Net Weight	5.23 kg
Shipping Weight	8.35 kg

Compliance

- **Product Safety:** IEC/EN 61010-1, -2-010; CAN/CSA C22.2 61010-1, -2-010; UL 61010-1, -2-010
- **Electromagnetic Compatibility:** IEC/EN 61326-1 Class B, Basic environments; FCC Part 15 Class A; ICES-003 Class A
- **Compliance Marks:** CE, CSA, RCM, WEEE

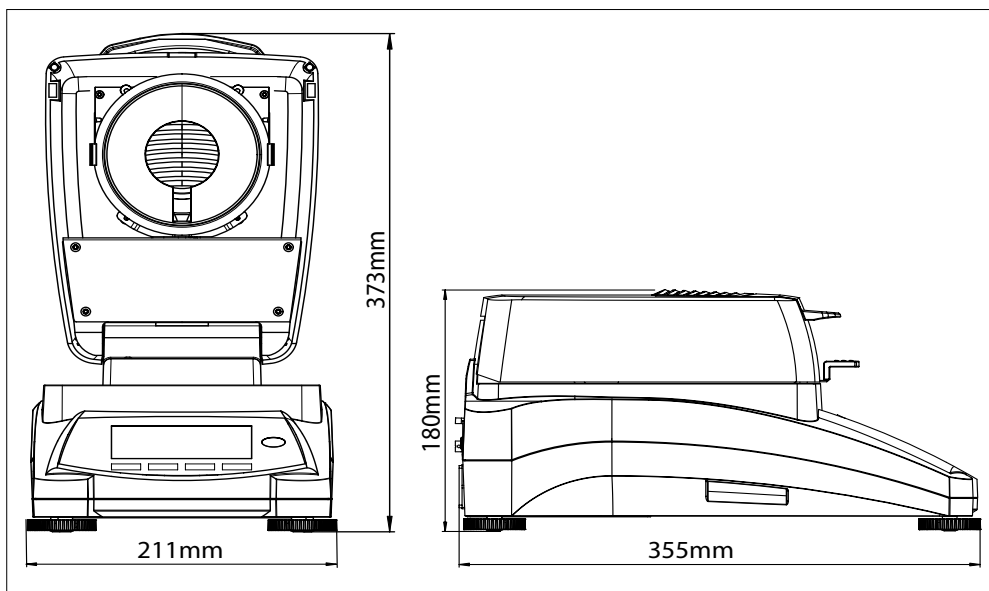
Other Standard Features & Equipment

ABS top housing, stainless steel pan support, stainless steel pan handler, in-use cover, Five Switch-off criteria (Manual, timed, A30, A60 or A90), Four heating profiles (standard, fast, ramp and step), storage up to 20 methods and 200 test results for each method, user guide, 40–200 °C heating temperature range (1 °C increments), 14 operational languages (display only, no key in)

Accessories

Temperature Calibration Kit, MB series	11113857	Pan Holder.....	30246947
In-Use-Cover.....	30284478	Pan, Reusable, Set (3), 7mm, MB series	80252478
Filter, Glass Fiber, Set (200)	80850087	Pan, Reusable, Set (3), 14mm, MB series.....	80252479
Cage, Sample	80252477	Pan, Aluminum, Set (80), MB series	80850086
Anti-Theft Device	80850043	Scoop	30284477

Outline Dimensions



OHAUS Asia/Pacific Headquarters
7F, Block 33, 680 Guiping Road
Shanghai 200233
China

e-mail: APmarketing@ohaus.com
Tel: +86 21 64855408

www.ohaus.com

The management system governing the manufacture of this product is ISO 9001:2015 certified.

SAP Literature #: 30385537

