

NB/NHB Precision Balance

General Specifications

- Display 16.5mm digit LCD display, with white LED backlight
- Capacities 150g~6000g
- Pan size $\Phi 80\text{mm}$, $\Phi 120\text{mm}$, $140\text{mm} \times 150\text{mm}$
- Keyboard 7 keys (Membrane keyboard)
- Housing ABS plastic
- Max. Divisions 6,000e/30,000d/60,000d/150,000d/200,000d
- ADC update $\leq 1/10$ second
- Operating Temp. $+5^{\circ}\text{C} \sim +40^{\circ}\text{C}$
- Power AC adapter (12V/500mA), Rechargeable battery (6V/1.2Ah)
- Gross weight 2.9kg (with wind shield), 2.7kg (without wind shield)



- Up to 200,000 division resolution
- Standard RS-232 interface
- OIML approval from DELTA (approval no.DK0199.266)
- Rechargeable battery provides up to 40 hours of continuous use (without backlight)
- Optional below bench weighing
- Optional USB communication port
- Optional rear display
- Optional bluetooth (4.3GHz, 10m)
- Applications: 1. Percentage weighing 2. Counting 3. Accumulation 4. Weighing unit conversion



NB/NHB Precision Balance

Model Name	Capacity	Readability	Division	Pan Size	Approx. weight	Approval
NB-300	300g	0.01g	30,000d	Φ 120mm	2.9kg	CE
NB-600	600g	0.02g	30,000d	Φ 120mm	2.9kg	CE
NB-1500	1500g	0.05g	30,000d	140 x 150mm	2.7kg	CE
NB-3000	3000g	0.1	30,000d	140 x 150mm	2.7kg	CE
NB-6000	6000g	0.2g	30,000d	140 x 150mm	2.7kg	CE
NHB-300	300g	0.005g	60,000d	Φ 120mm	2.9kg	CE
NHB-600	600g	0.01g	60,000d	Φ 120mm	2.9kg	CE
NHB-1500	1500g	0.02g	60,000d	140 x 150mm	2.7kg	CE
NHB-3000	3000g	0.05g	60,000d	140 x 150mm	2.7kg	CE
NHB-6000	6000g	0.1g	60,000d	140 x 150mm	2.7kg	CE
NB-300M	300g	0.05g	6,000e	Φ 120mm	2.9kg	CE, OIML
NB-600M	600g	0.1g	6,000e	Φ 120mm	2.9kg	CE, OIML
NB-1500M	1500g	0.2g	6,000e	140 x 150mm	2.7kg	CE, OIML
NB-3000M	3000g	0.5g	6,000e	140 x 150mm	2.7kg	CE, OIML
NB-6000M	6000g	1g	6,000e	140 x 150mm	2.7kg	CE, OIML
NHB-300M	300g	0.05g	6,000e	Φ 120mm	2.9kg	CE, OIML
NHB-600M	600g	0.1g	6,000e	Φ 120mm	2.9kg	CE, OIML
NHB-1500M	1500g	0.2g	6,000e	140 x 150mm	2.7kg	CE, OIML
NHB-3000M	3000g	0.5g	6,000e	140 x 150mm	2.7kg	CE, OIML
NHB-6000M	6000g	1g	6,000e	140 x 150mm	2.7kg	CE, OIML
NHB+-150	150g	0.001g	150,000d	Φ 80mm	2.9kg	CE
NHB+-1500	1500g	0.01g	150,000d	Φ 120mm	2.9kg	CE
NHB++-200	200g	0.001g	200,000d	Φ 80mm	2.9kg	CE
NHB++-2000	2000g	0.01g	200,000d	Φ 120mm	2.9kg	CE

Options



Print formats

2012/03/07 13:38

PERCENT: 100.01%

2012/03/07 13:37

S/N0: 1

WEIGHT: 80.26 g

2012/03/07 13:37

S/N0: 1

TOTAL.WT: 80.26 g

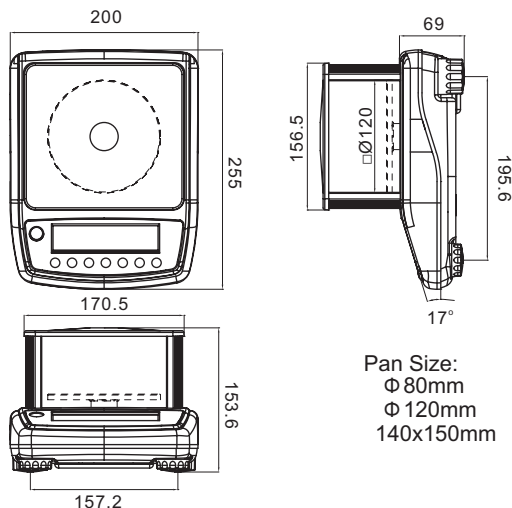
2012/03/07 13:38

PCS: 222pcs

UNIT.WT: 0.40132 g

WEIGHT: 89.04 g

Dimensions(mm)



Pan Size:
Φ 80mm
Φ 120mm
140x150mm